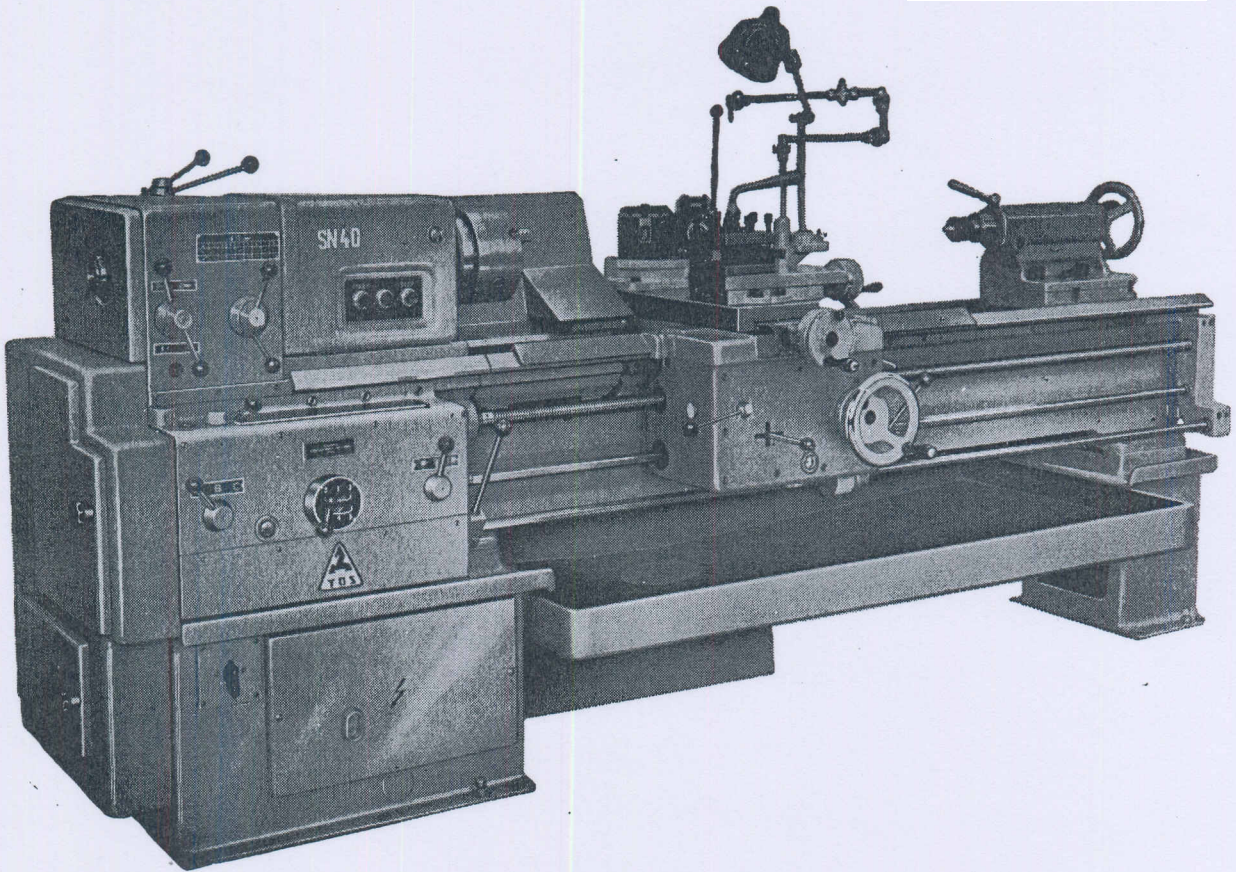
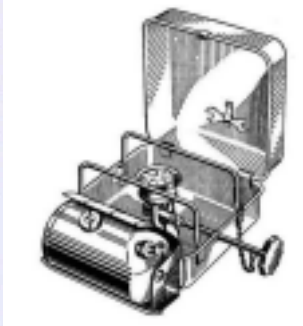
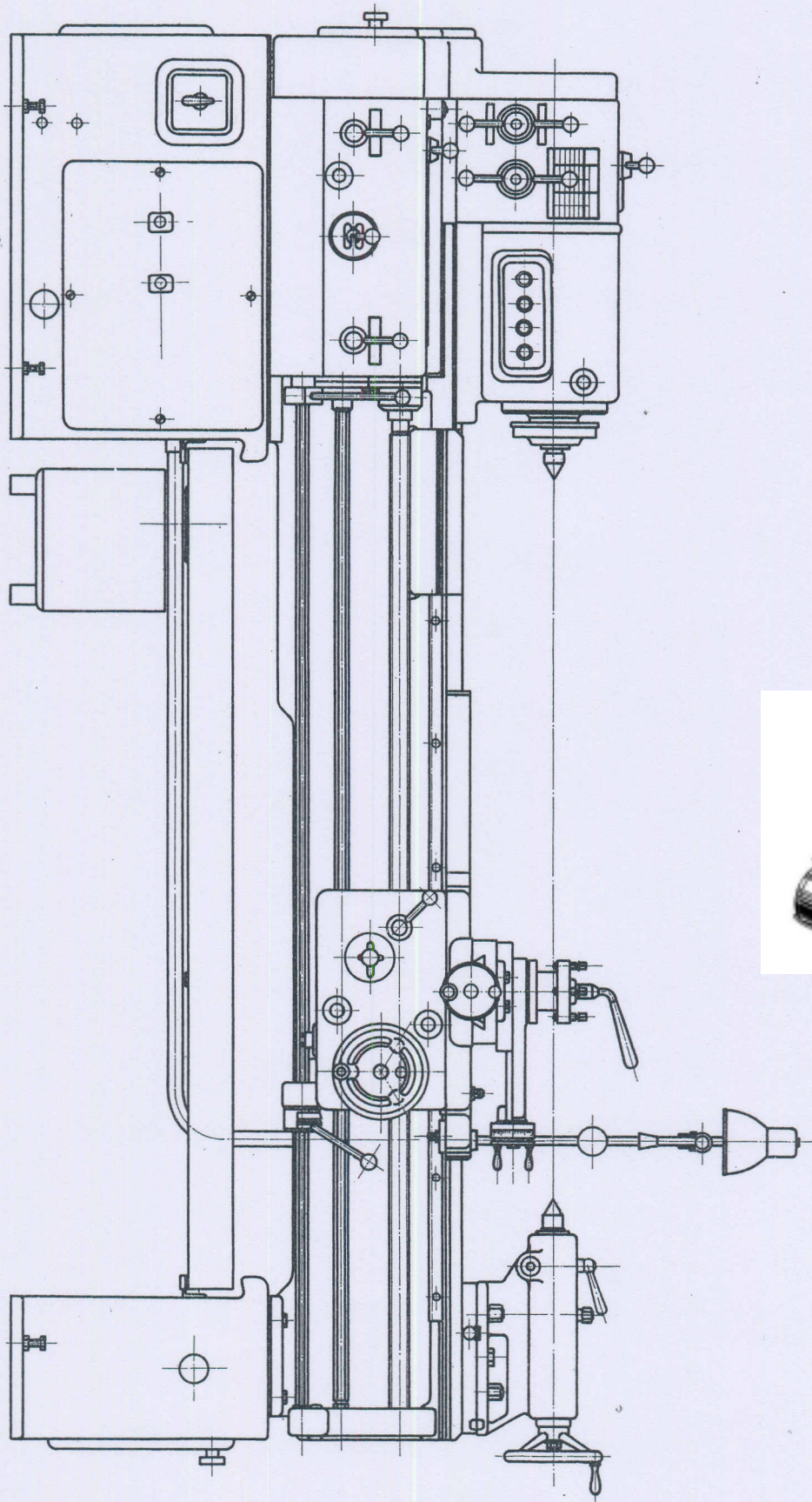


SN 40 - SN 50

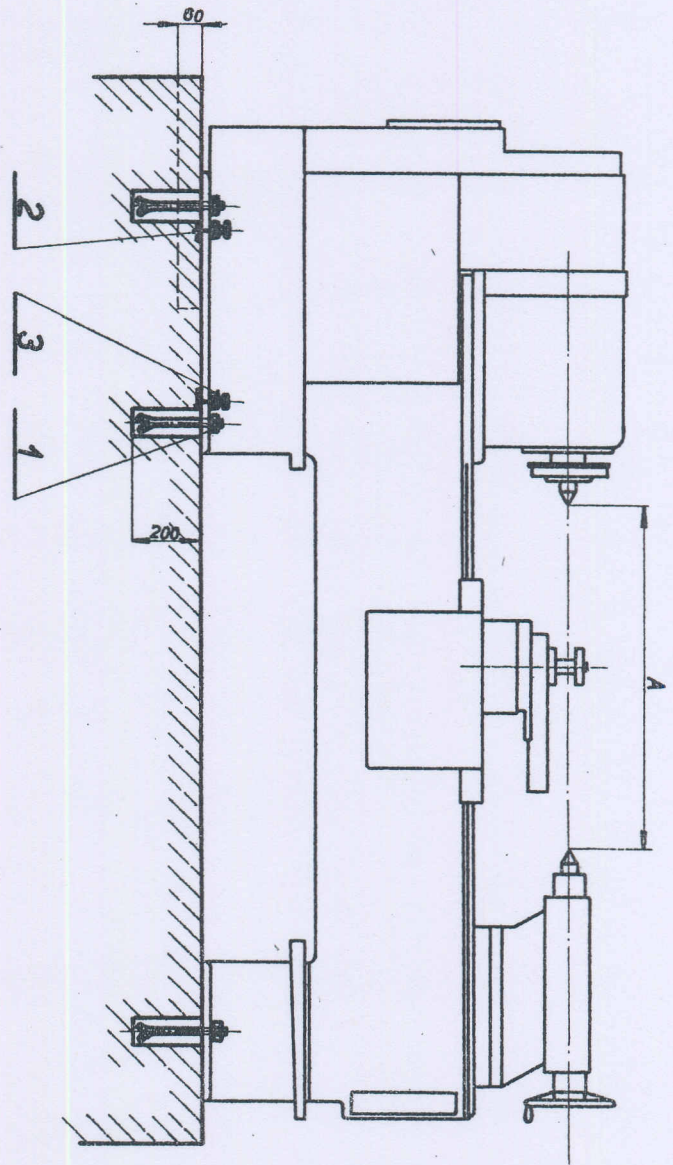
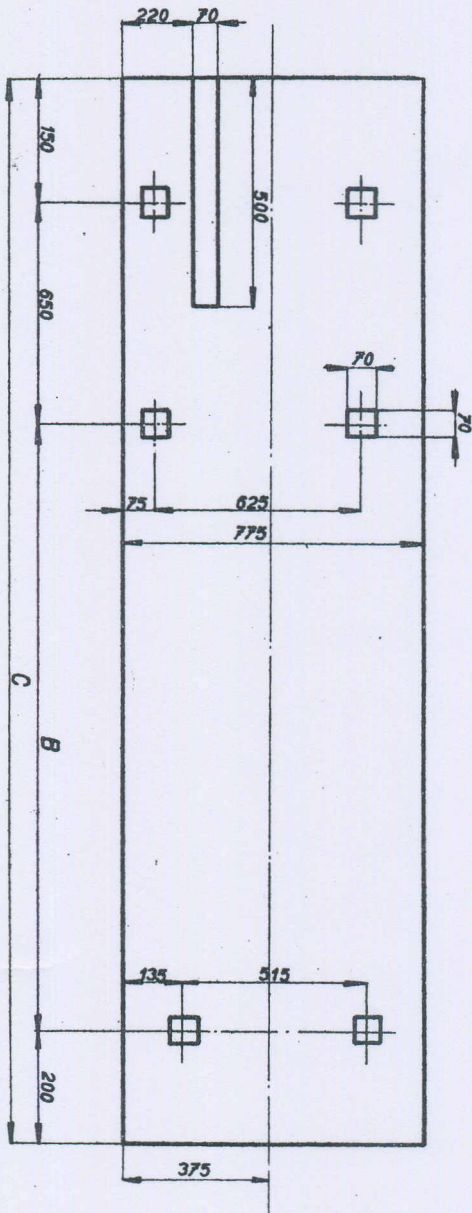
SN 40





SN 40-50

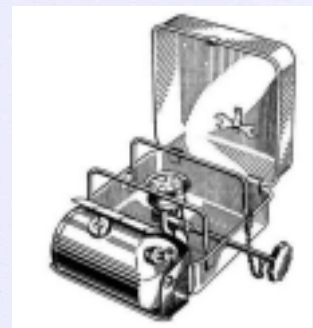
1

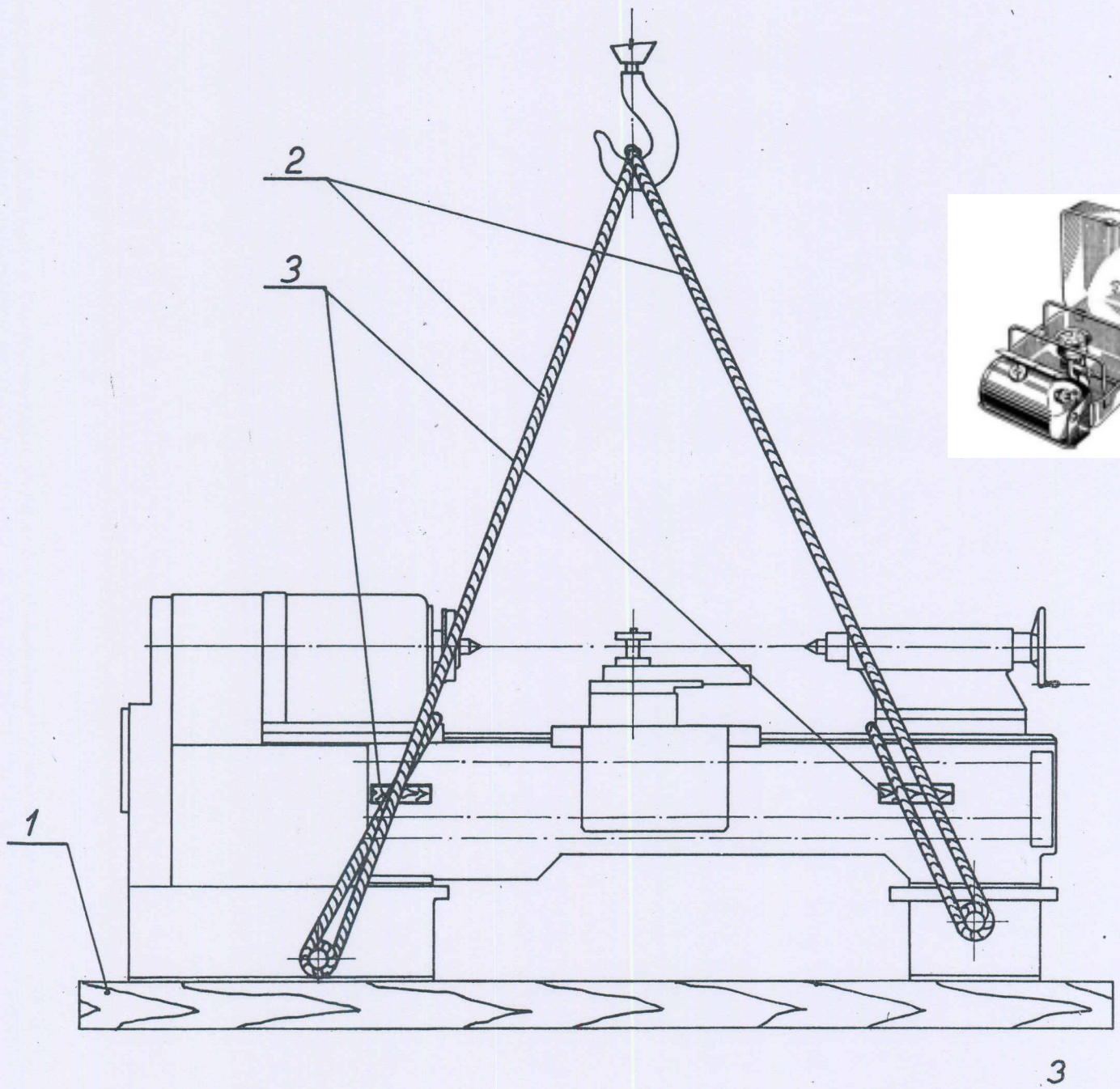


A	B	C
750	1325	2325
4000	1575	2575
1500	2075	3075
2000	2575	3575

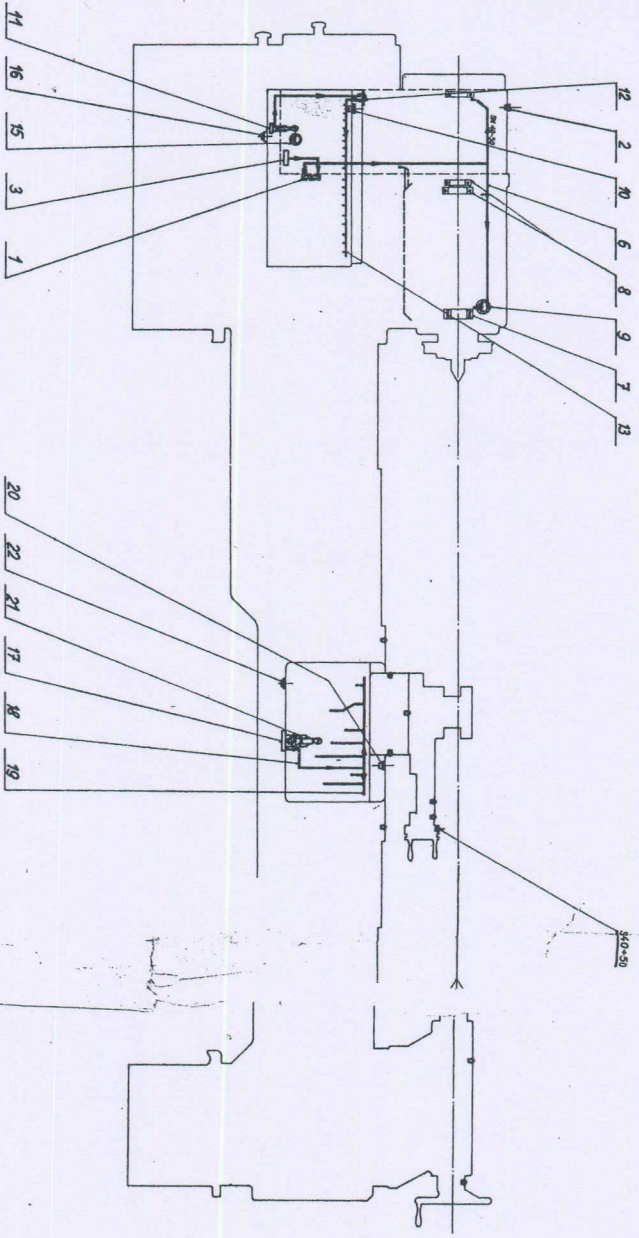
SN 40-50

2



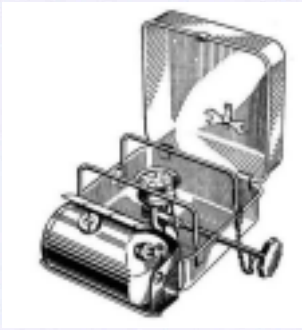
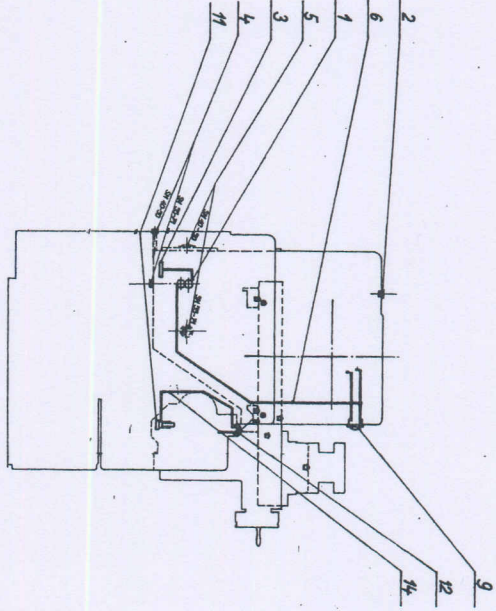


SN 40-50

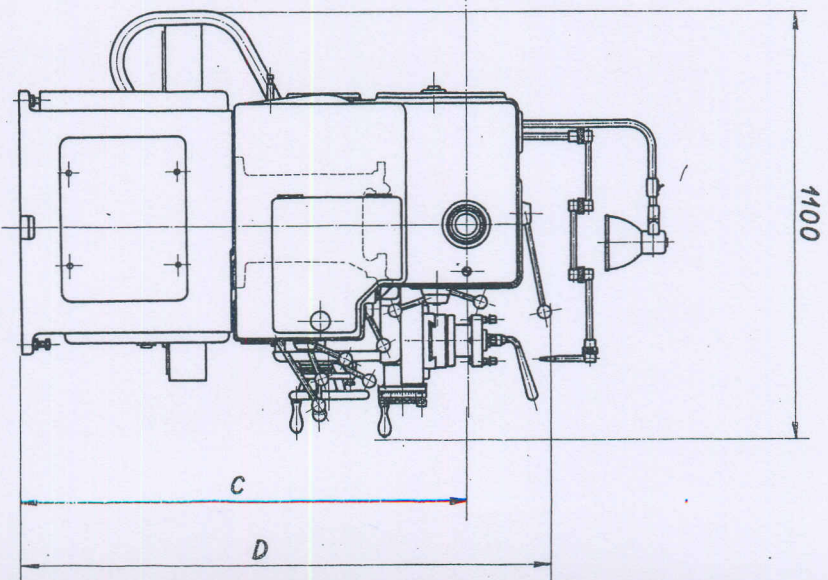
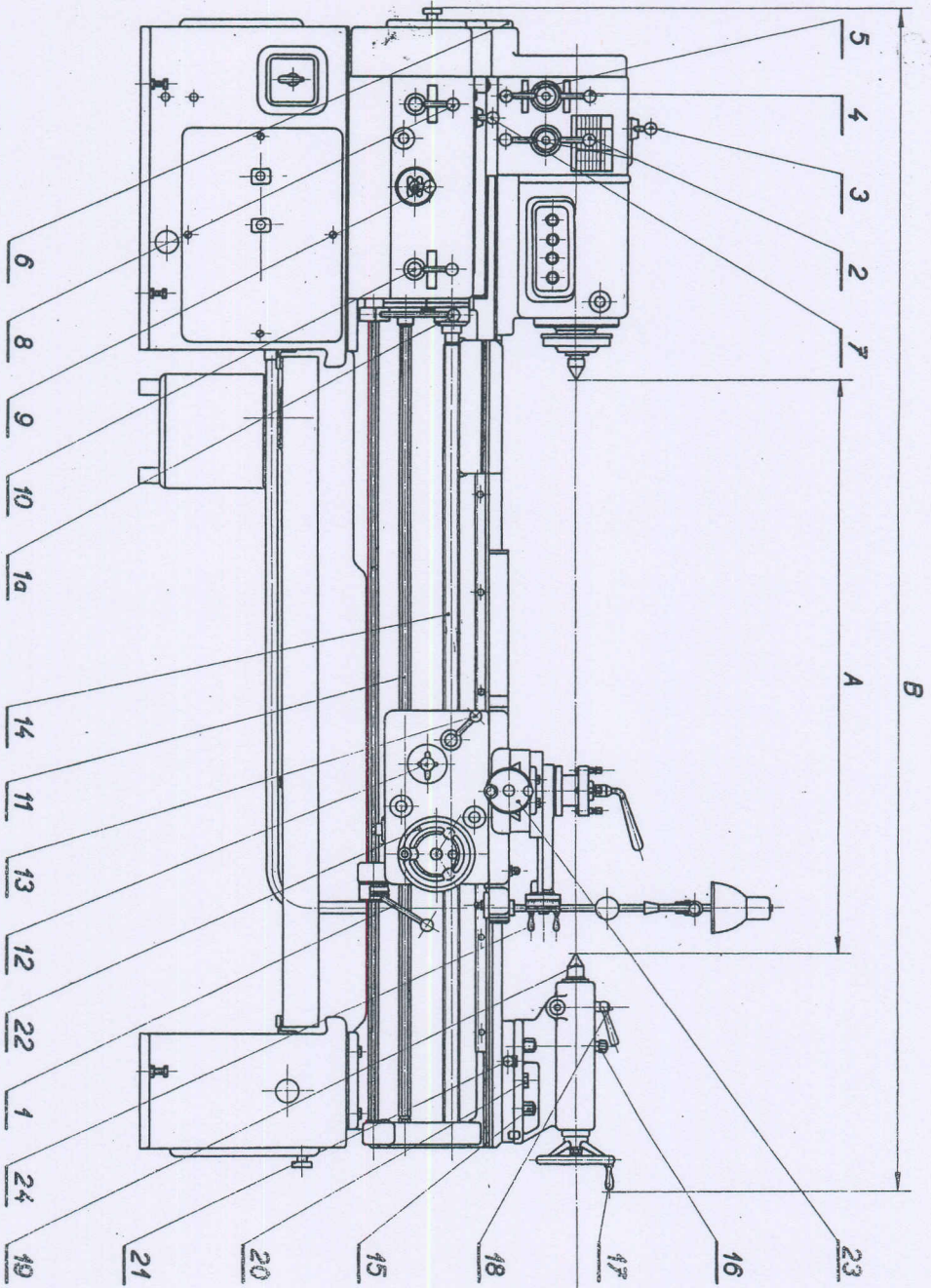


SN 40-71

5

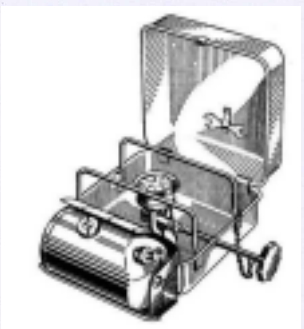


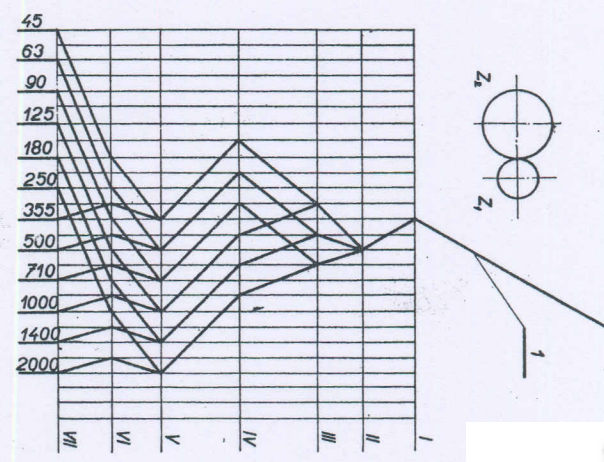
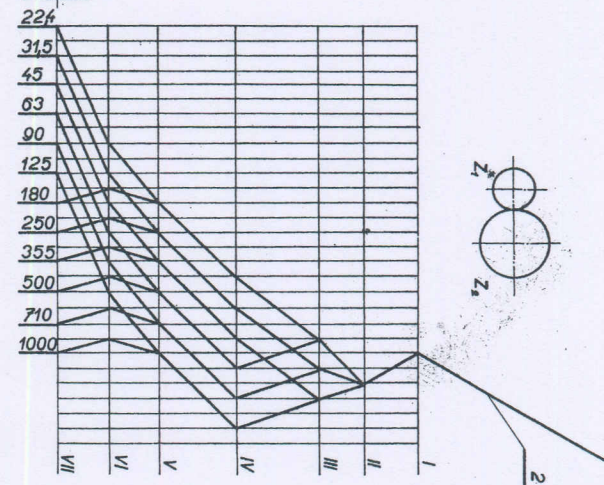
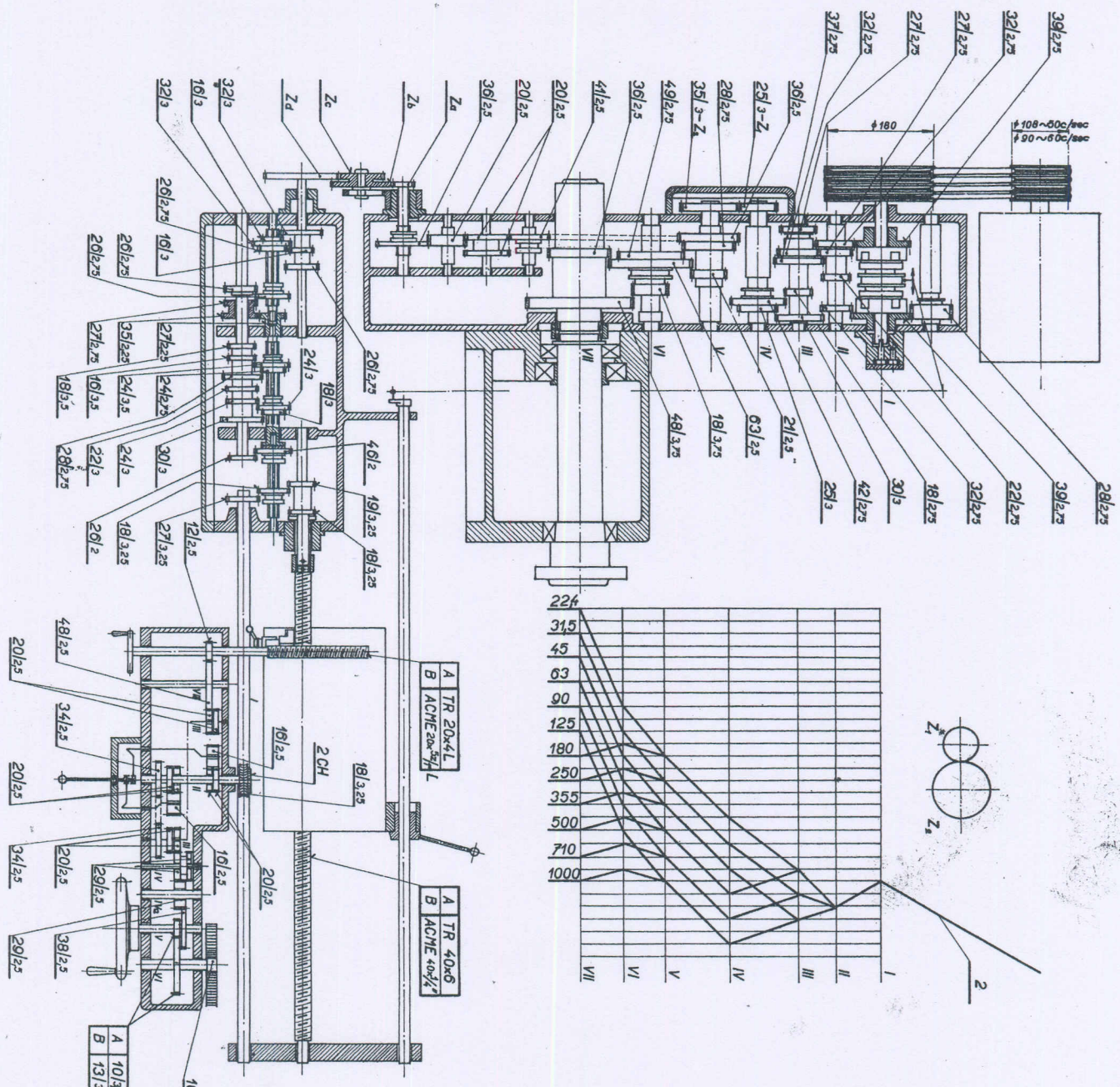
SN 40-50



	SN 40		SN 45		SN 50	
A	750	1000 1500 2000	750	1000 1500 2000	750	1000 1500 2000
B	2322	2575 3075 3575	2322	2575 3075 3575	2322	2575 3075 3575
C	1100	1125	1325	1150	1350	1150
D	1300	1325	1325	1350	1350	1350

OBR. 4





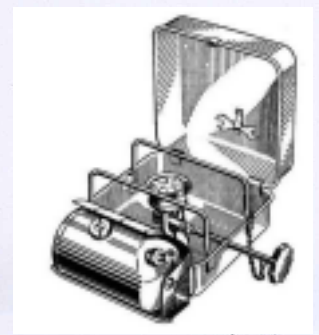
A $\Rightarrow \frac{Z_2 Z_6}{Z_6 Z_4} \Rightarrow Z_2 / Z_4$

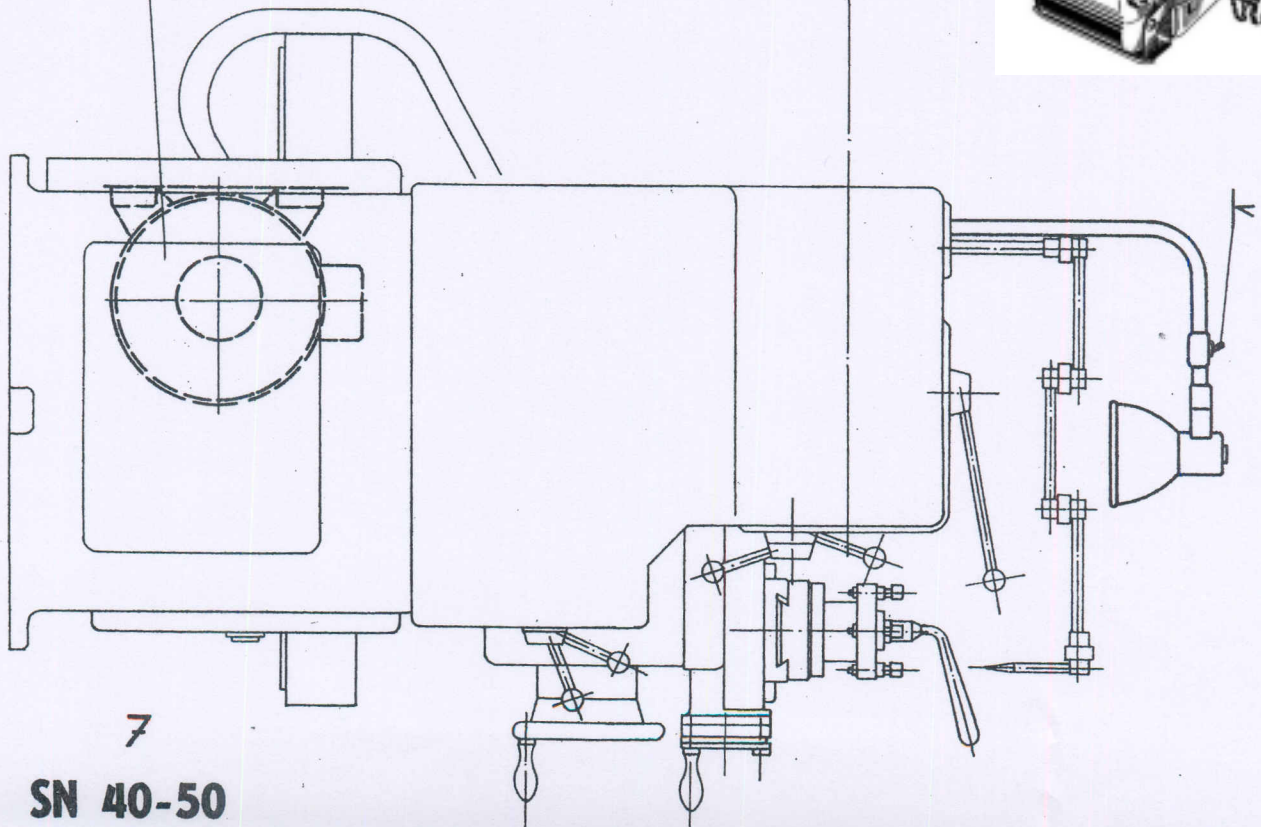
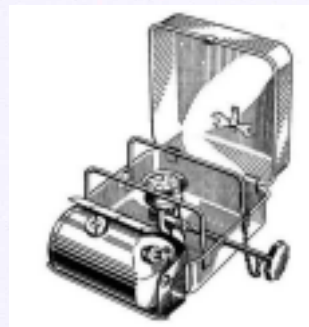
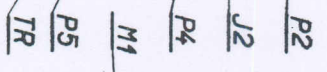
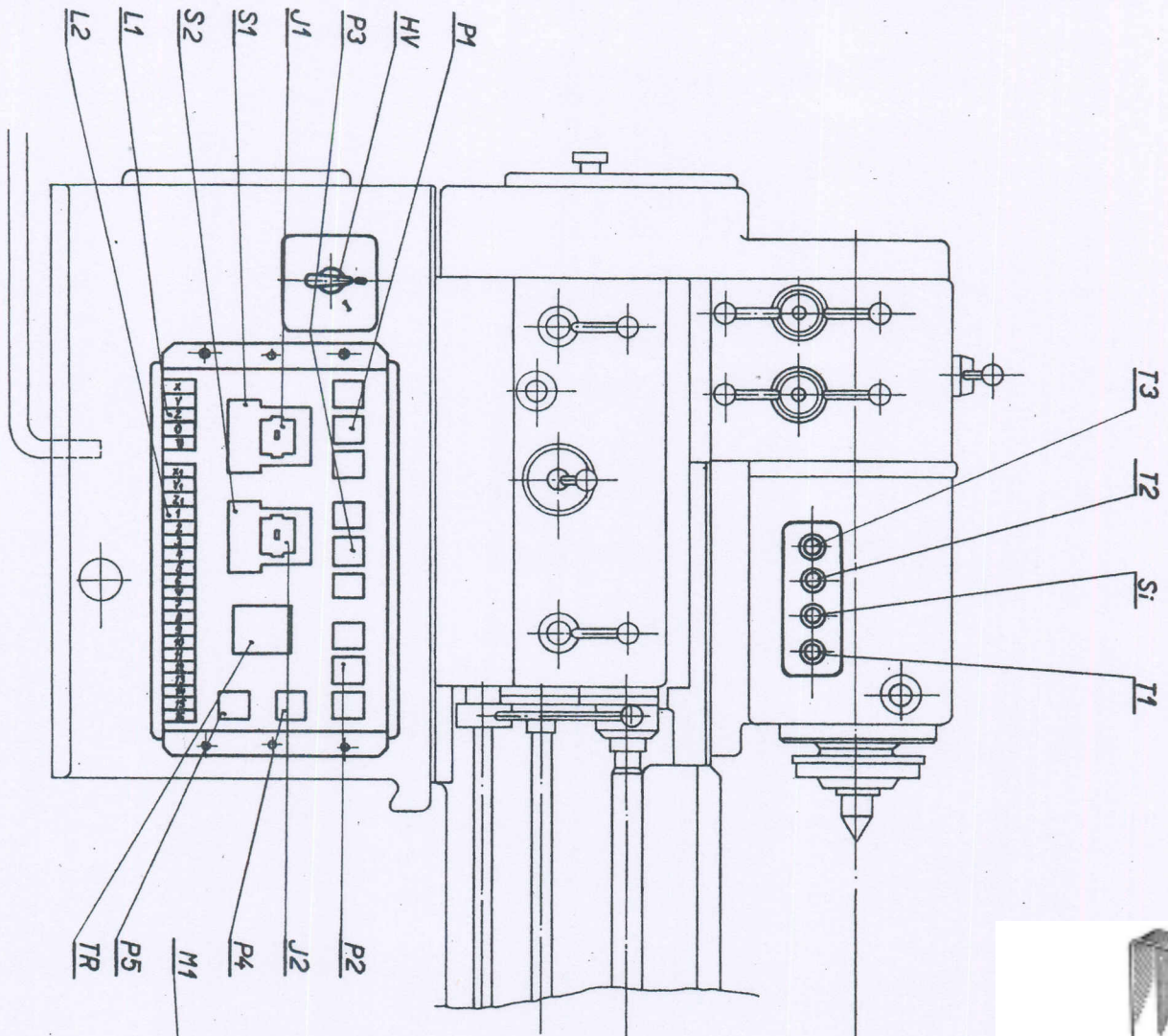
SN 40	mm / 1/8"	mm / 1/8"	mm / 1/8"
30	48	120	
40	64	113	
30	60	120	
55	88	113	
30	80	120	
50	80	113	

B $\Rightarrow \frac{Z_2 Z_6}{Z_6 Z_4} \Rightarrow Z_2 / Z_4$

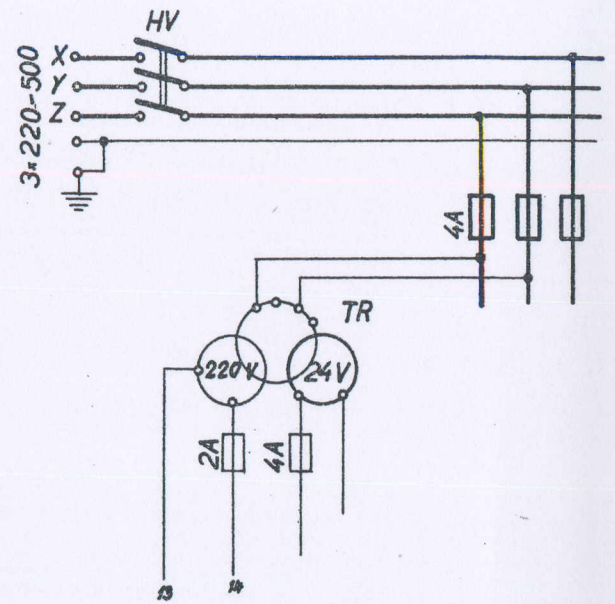
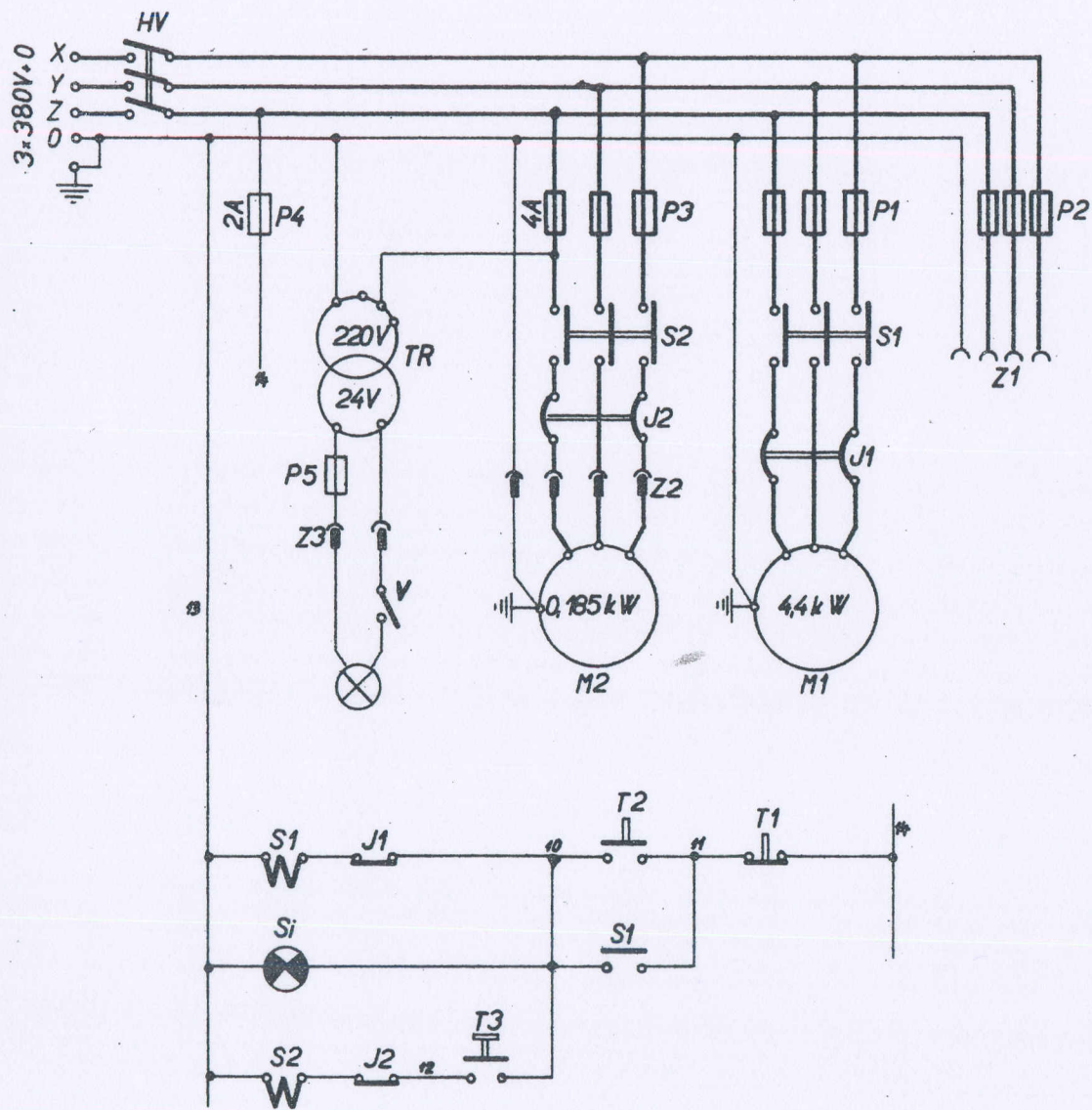
SN 40	mm / 1/8"	mm / 1/8"	mm / 1/8"
62	105	113	
30	60	127	
62	105	113	
30	80	127	
62	105	113	

SN 40-50
6

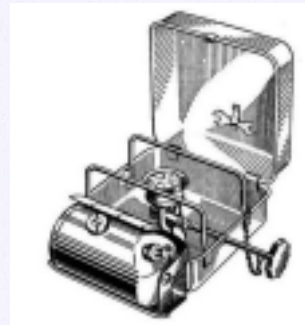




7
 SN 40-50

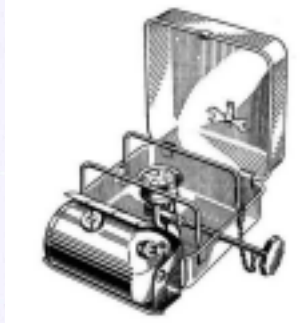
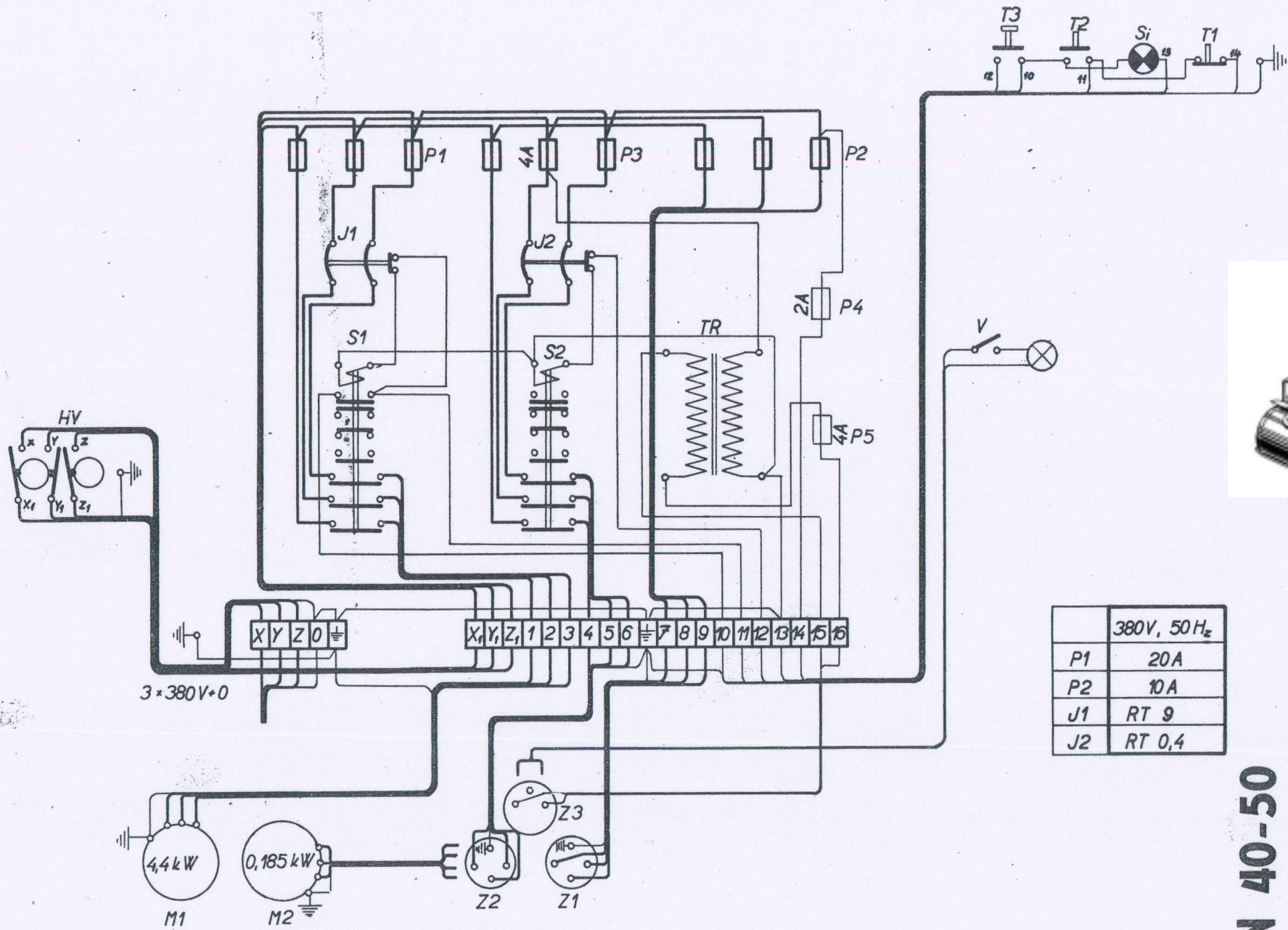


	220 V 50 Hz	380 V 50 Hz	400-440 V 50 Hz	500-550 V 50 Hz	220 V 60 Hz	400-440 V 60 Hz
P1	25 A	20 A	20 A	15 A	35 A	25 A
P2	10 A	10 A	10 A	6 A	10 A	10 A
J1	RTP 17	RT 9	RT 9	RT 9	RTP 22	RT 13
J2	RT 0,4	RT 0,4	RT 0,4	RT 0,4	RT 0,9	RT 0,6



7a

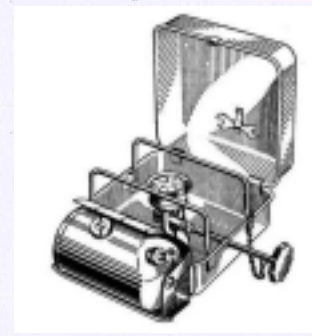
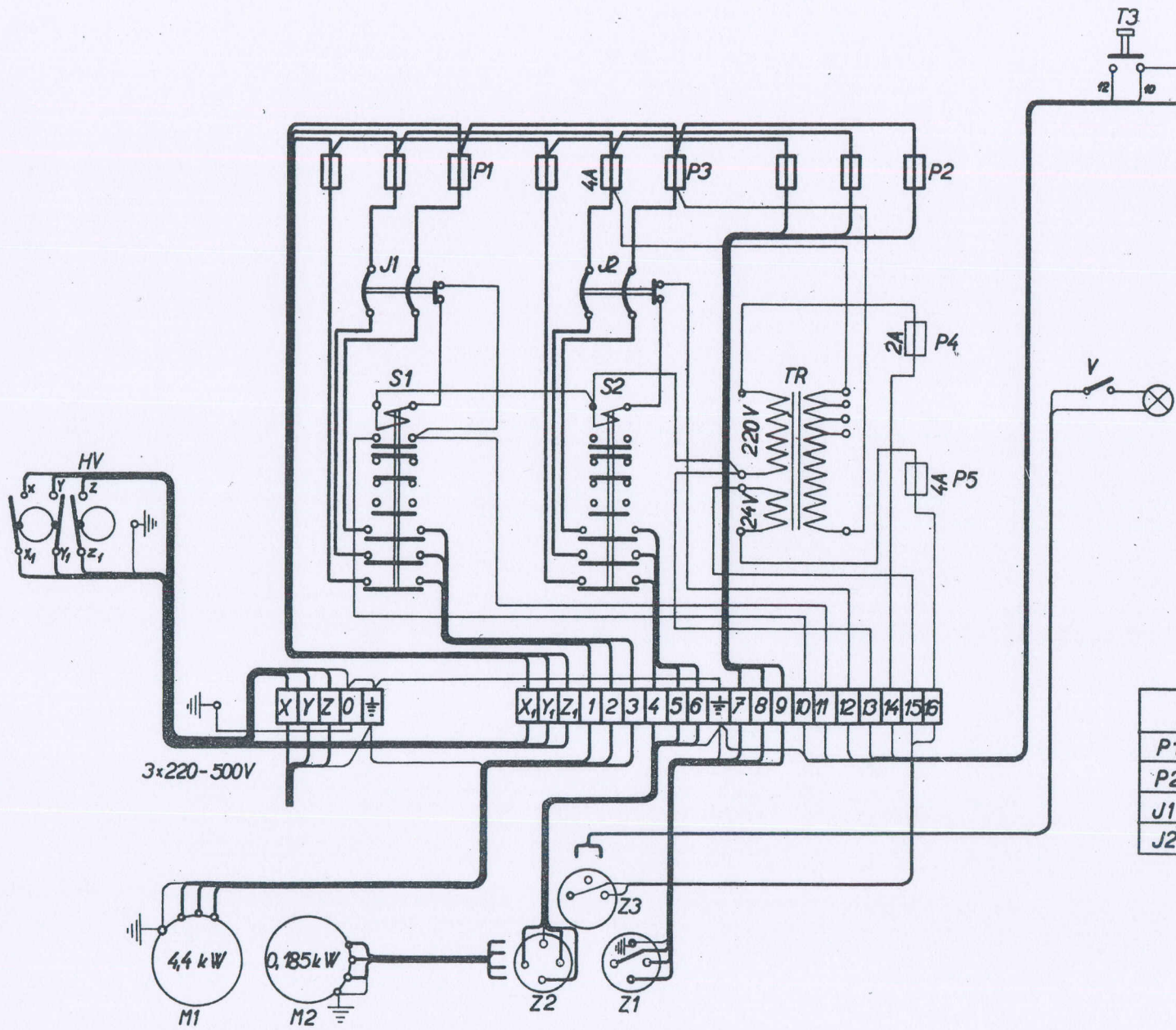
SN 40-50



	380V, 50 Hz
P1	20A
P2	10A
J1	RT 9
J2	RT 0,4

SN 40-50

7b

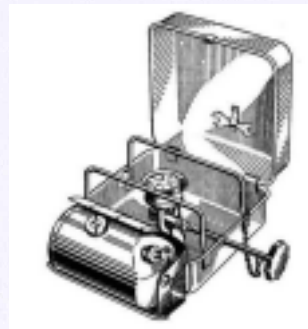


	220V 50Hz	380V 50Hz	400-440V 50Hz	500-550V 50Hz	220V 60Hz	400-440V 60Hz
P1	25A	20A	20A	15A	35A	25A
P2	10A	10A	10A	6A	10A	10A
J1	RTP17	RT9	RT9	RT9	RTP22	RT13
J2	RT065	RT045	RT045	RT031	RT094	RT065

7c
SN 40-50

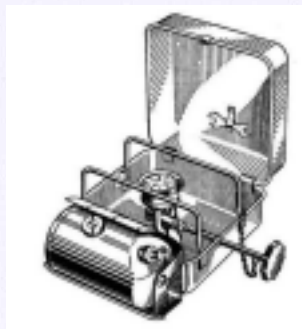
	$\lambda = 1/2$																							
	mm		mm		mm		mm		mm		mm		mm		mm		mm		mm		mm		mm	
W	1:1	B				0.07	0.05																	
		C																						
		A																						
		B																						
		C																						
		A																						
	8:1	B																						
		C																						
		A																						
		B																						
		C																						
		A																						
M	1:1	B	0.08	0.09	0.11	0.12	0.14	0.20																
		C	0.16	0.18	0.22	0.24	0.28	0.40																
		A	0.32	0.36	0.44	0.48	0.56	0.80																
		B	0.64	0.72	0.88	0.96	1.12	1.60																
		C	1.28	1.44	1.76	1.92	2.24	3.20																
		A	2.56	2.88	3.52	3.84	4.48	6.40																
	8:1	B	0.08	0.09	0.11	0.12	0.14	0.20																
		C	0.16	0.18	0.22	0.24	0.28	0.40																
		A	0.32	0.36	0.44	0.48	0.56	0.80																
		B	0.64	0.72	0.88	0.96	1.12	1.60																
		C	1.28	1.44	1.76	1.92	2.24	3.20																
		A	2.56	2.88	3.52	3.84	4.48	6.40																

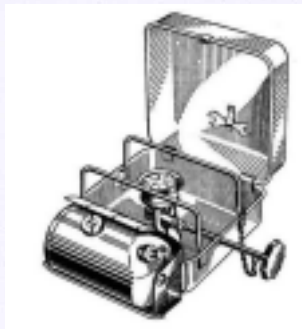
	1	2	3	4	5	6
SN 40						
SN 45						
SN 50						



W	= 1/2 ← →	1 2 3 4 5 6						mm	1:1	1 2 3 4 5 6						2	DP	1:1	1 2 3 4 5 6								
		B	C	A	B	C	A			B	C	A	B	C	A				B	C	A	B	C	A			
1:1	↙ ↘	B	0.006	0.005	0.005	0.004	0.003	0.002	↙ ↘	B	32	36	44	48	56	80	↙ ↘	B	64	72							
		C	0.012	0.011	0.009	0.008	0.007	0.005		C	16	18	22	24	28	40		C	32	36	44	48	56				
		A	0.024	0.022	0.018	0.016	0.014	0.010		A	8	9	11	12	14	20		A	16	18	22	24	28	40			
	↖ ↗	B	0.049	0.043	0.035	0.032	0.027	0.019	↖ ↗	B	4	4 1/2	5 1/2	6	7	10	↖ ↗	B	8	9	11	12	14	20			
		C	0.097	0.086	0.071	0.065	0.055	0.039		C	2	2 1/4	2 3/4	3	3 1/2	5		C	4	4 1/2	5 1/2	6	7	10			
		A	0.195	0.173	0.142	0.130	0.110	0.078		A	1			1 1/2	1 3/4	2 1/2		A	2	2 1/4	2 3/4	3	3 1/2	5			
M	↙ ↘	B						↙ ↘	B	0.5			0.75		1.25	↙ ↘	B	0.25									
		C							C	1			1.5	1.75	2.5		C	0.5			0.75		1.25				
		A							A	2			3	3.5	5		A	1			1.5	1.75	2.5				
	↖ ↗	B						↖ ↗	B	4	4.5	5.5	6	7	10	↖ ↗	B	2	2.25	2.75	3	3.5	5				
		C							C	8	9	11	12	14	20		C	4	4.5	5.5	6	7	10				
		A					0.169		0.242	A	16	18	22	24	28		40	A	8	9	11	12	14	20			

Diagram	Model	a	b	c	d	1/4"	
						W	DP
	SN40	a				30	62
		b				48	105
		c				127	113
		d				30	62
	SN45	a				60	105
		b				127	113
		c				30	62
		d				80	105
	SN50	a				127	113
		b				30	62
		c				80	105
		d				127	113



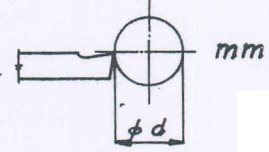
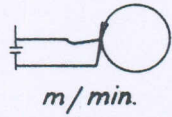
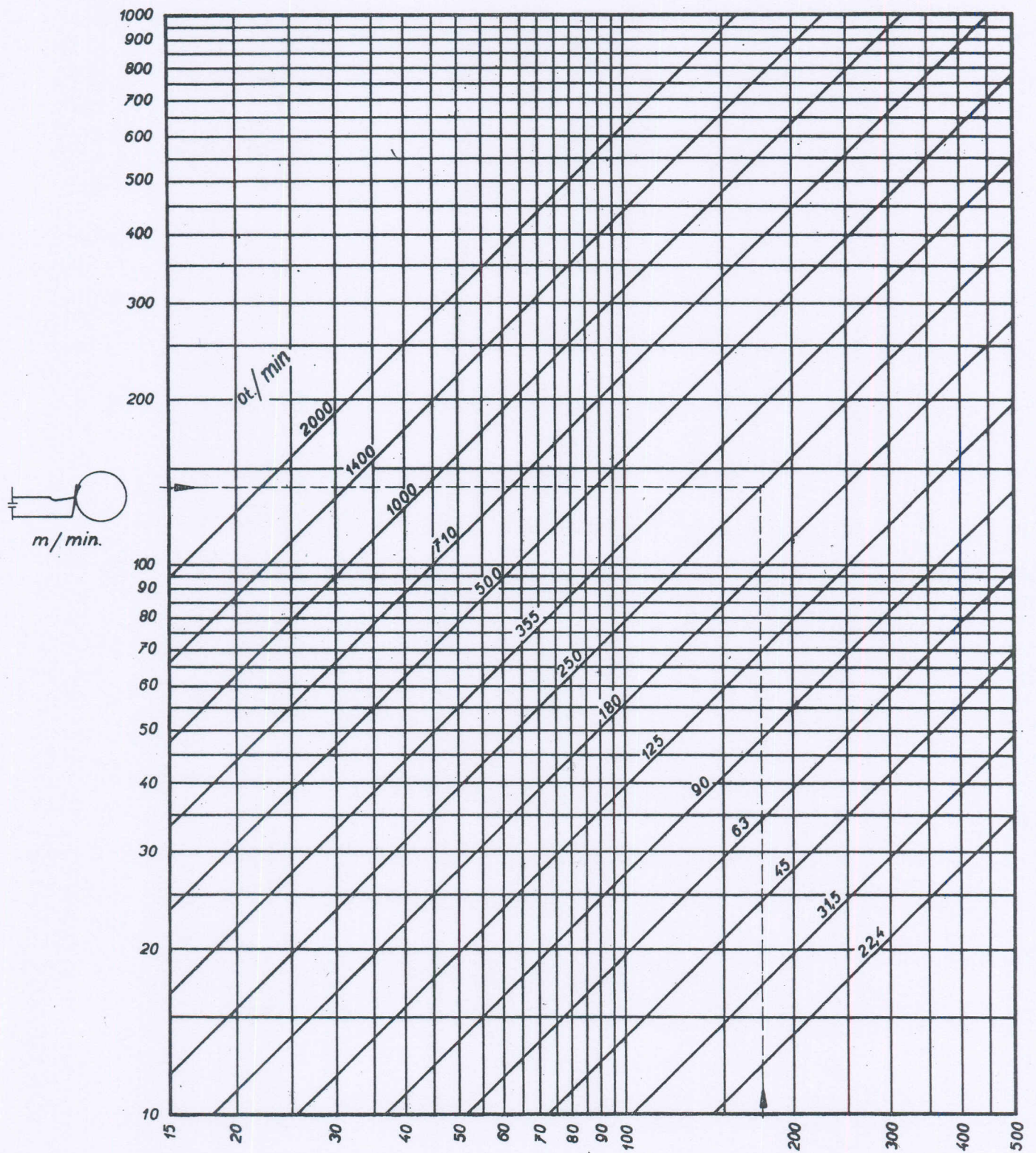


SN	$z_1 \oplus z_2$		$z_2 \oplus z_1$	
	22,4	180	45	355
	31,5	250	63	500
	45	355	90	710
	63	500	125	1000
	90	710	180	1400
	125	1000	250	2000
r/min.				

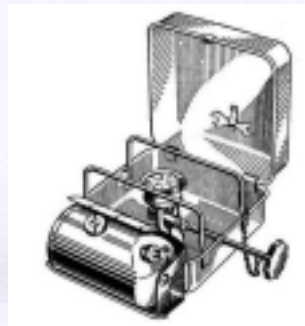
SN 40-50

10

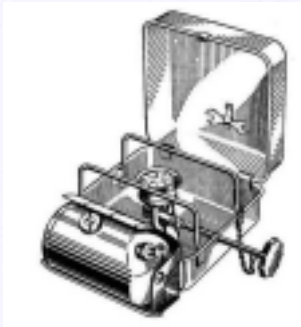
SN40 - SN45 - SN50



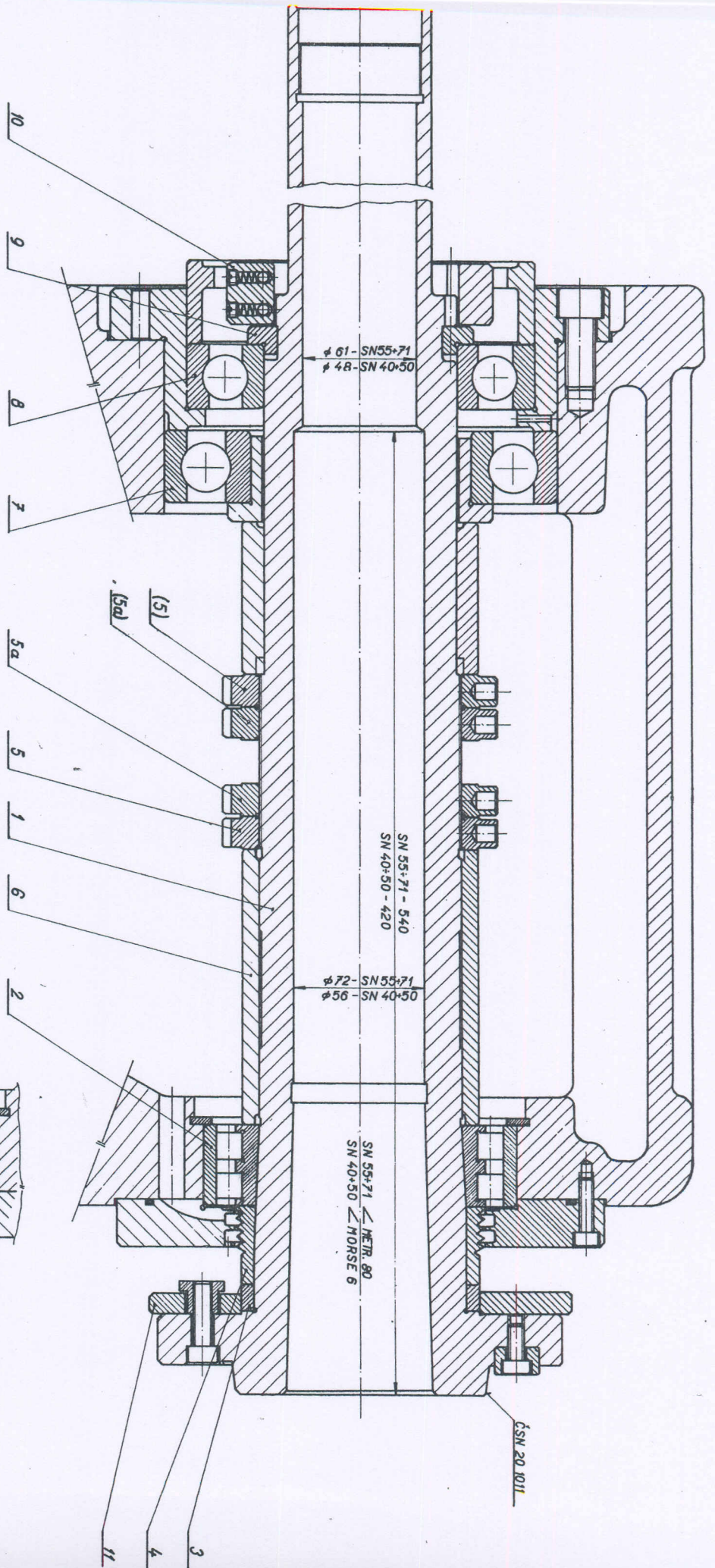
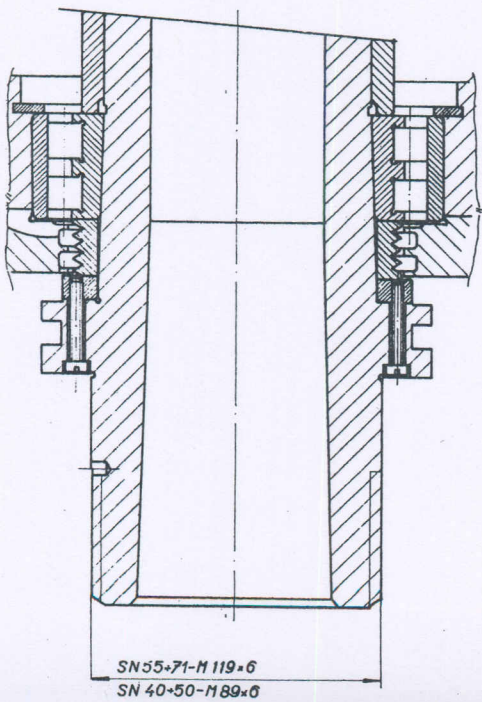
SN 40-50



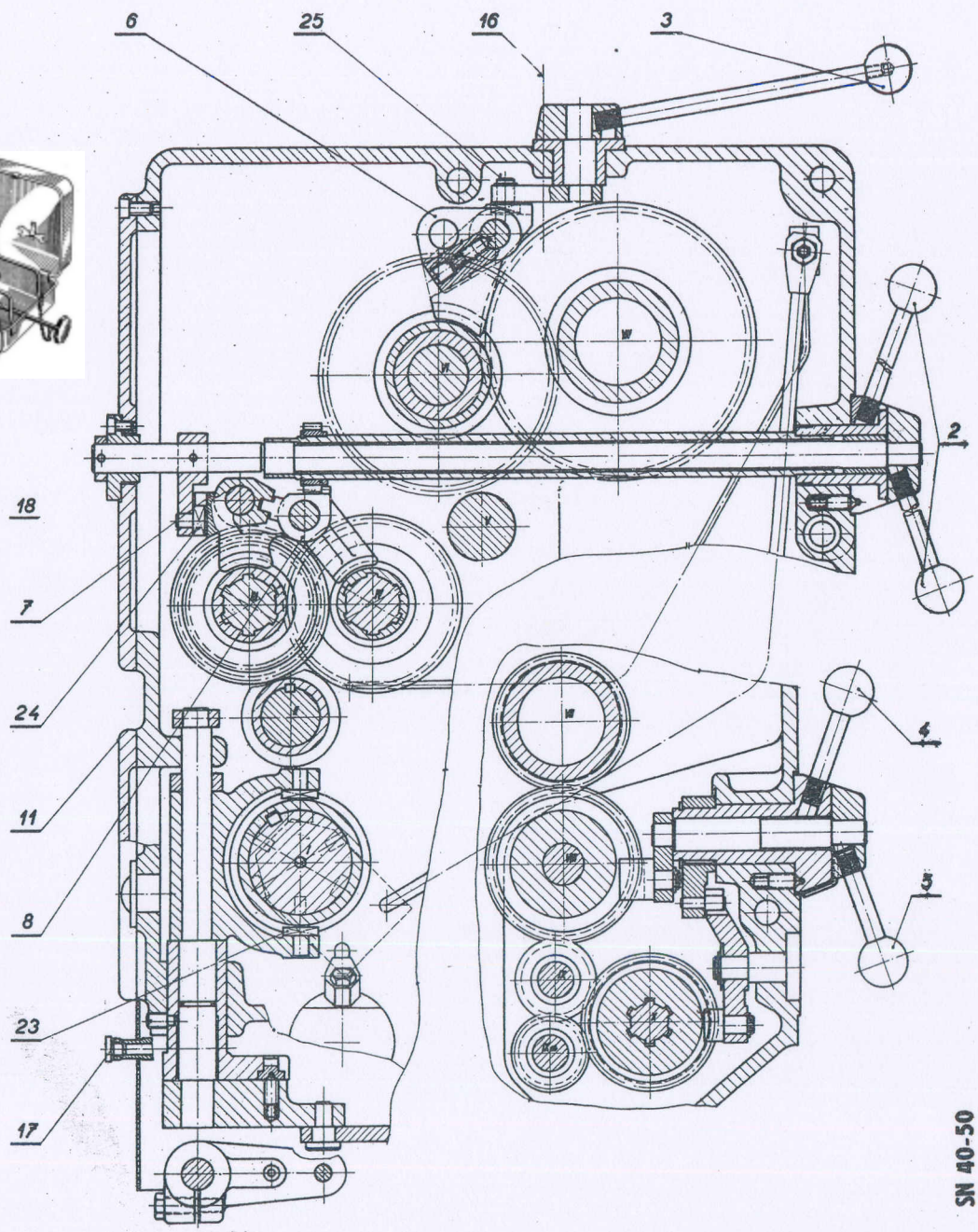
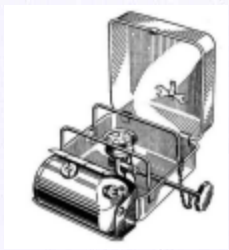
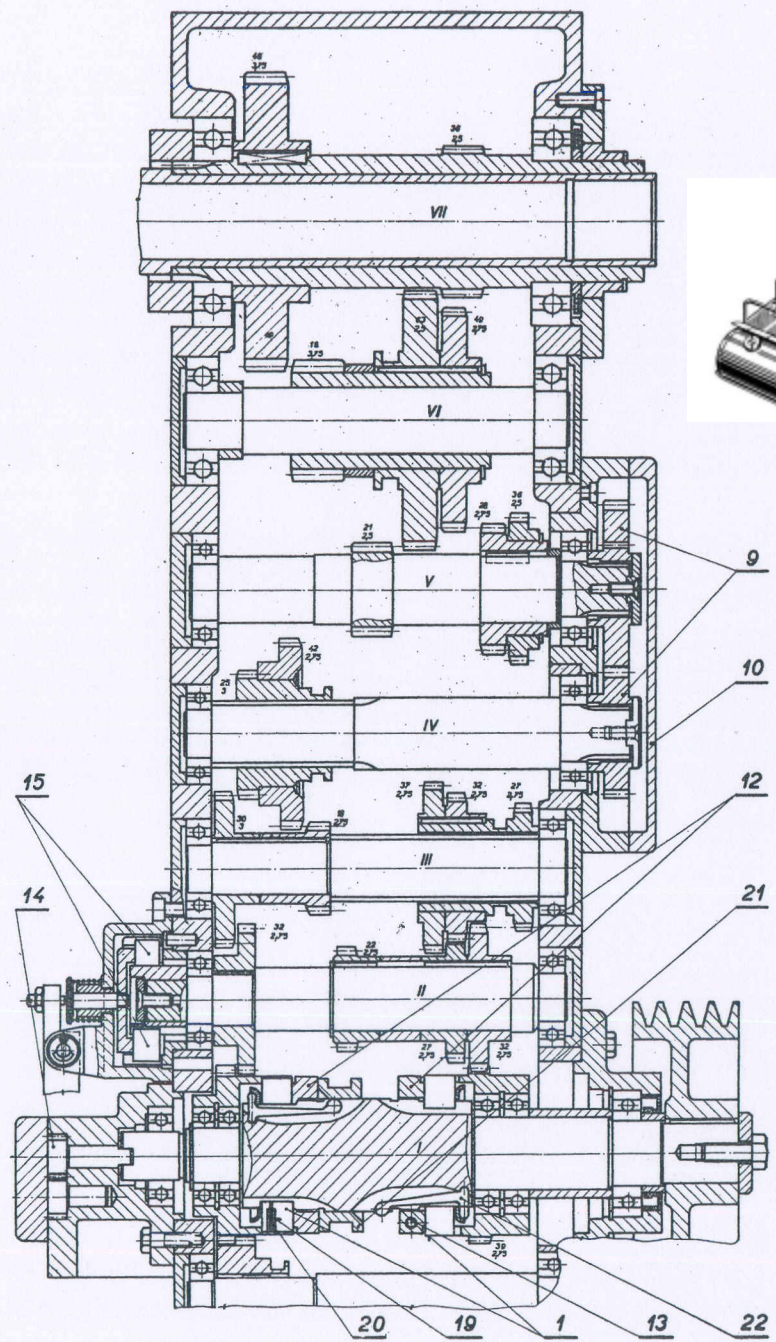
10A



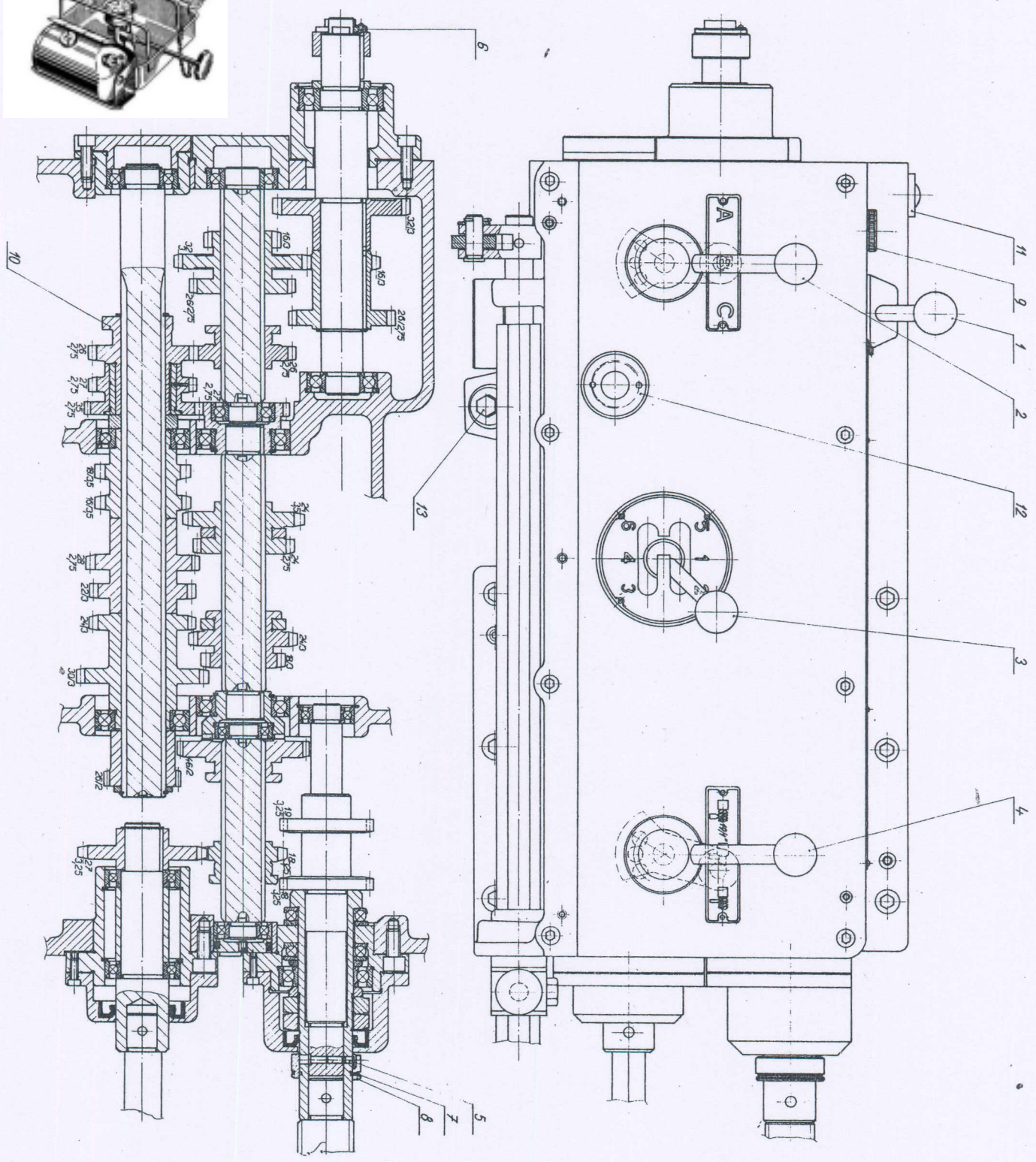
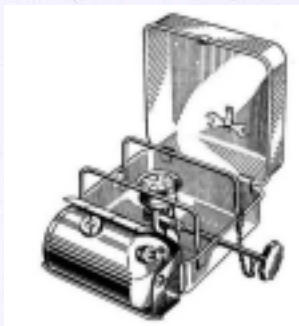
11



SN 40-71

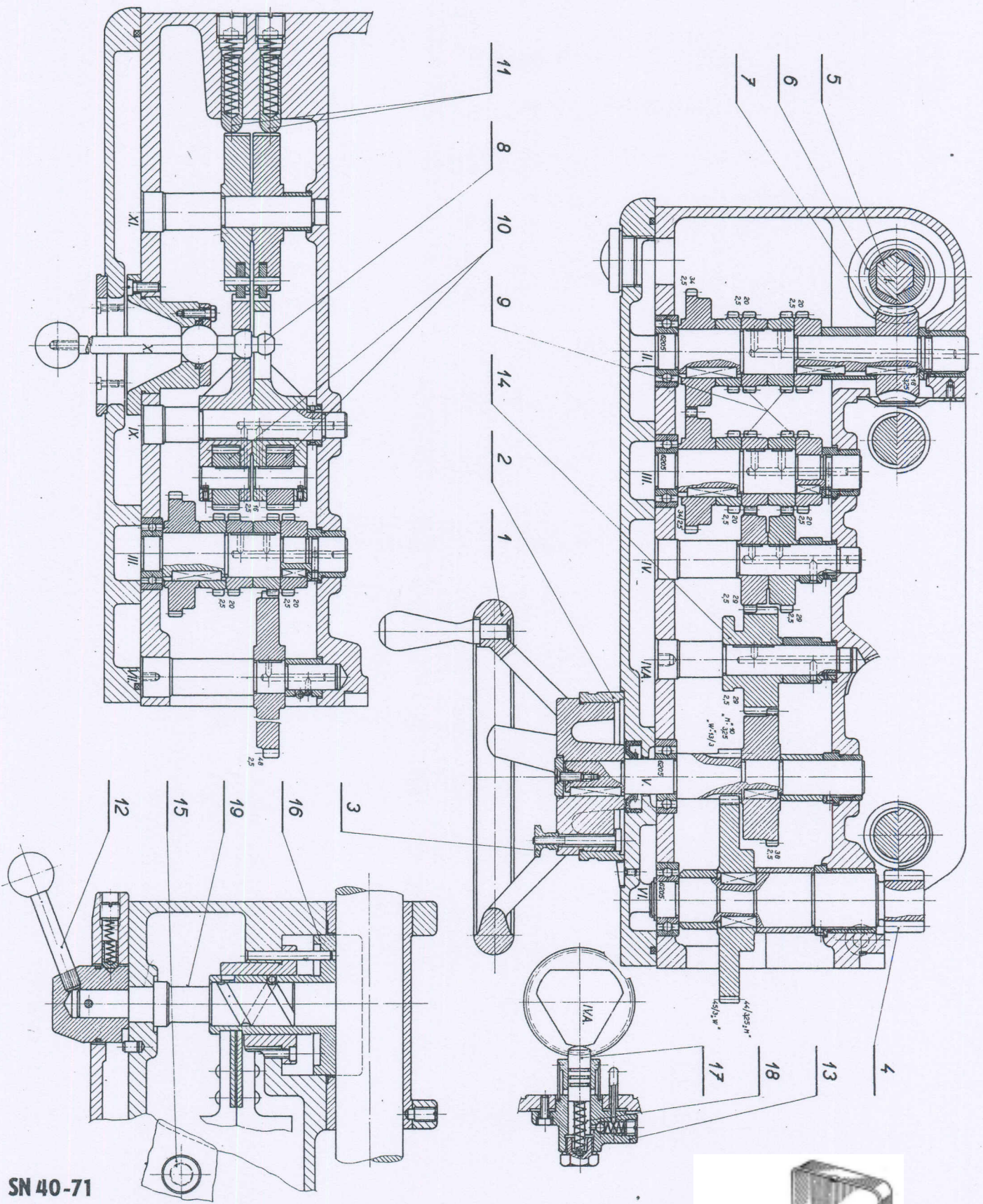


SN 40-50
12

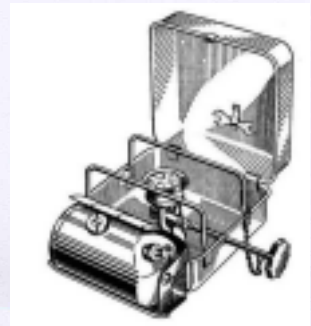


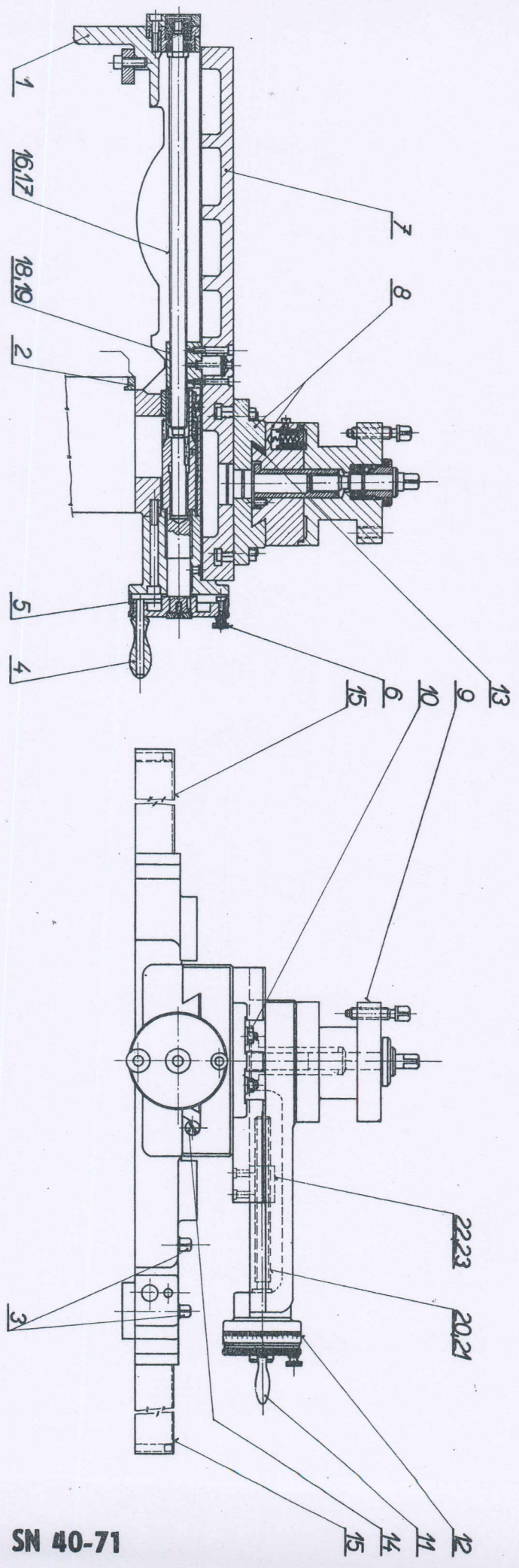
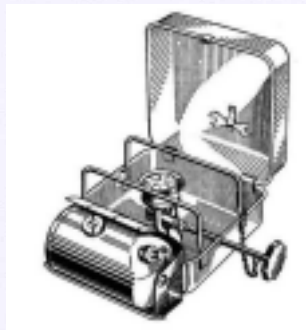
SN 40-71
13

1 88711 3 1



SN 40-71

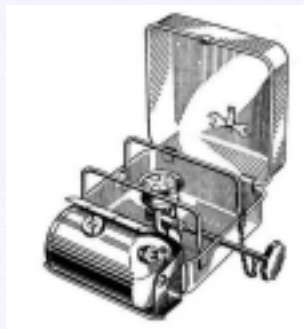
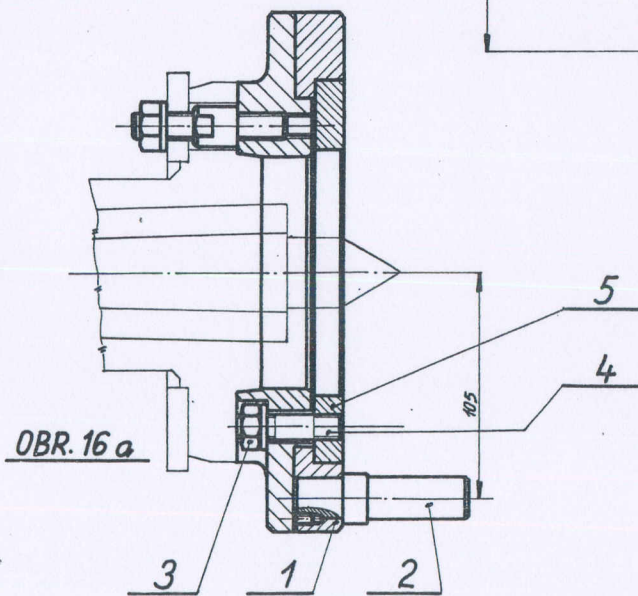
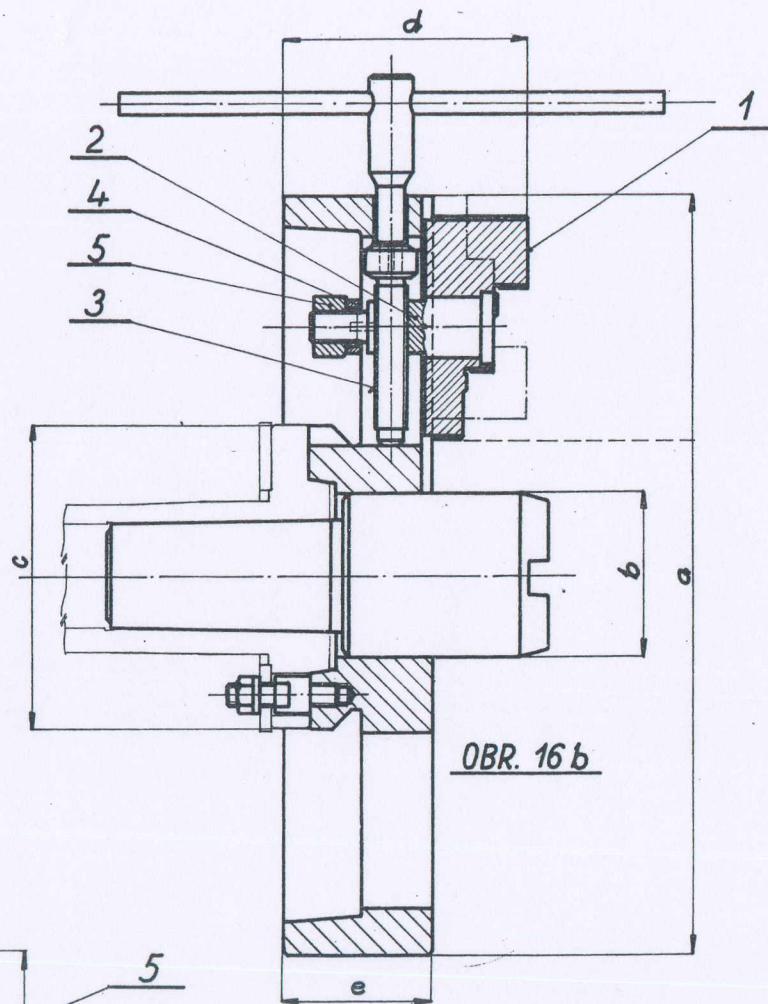
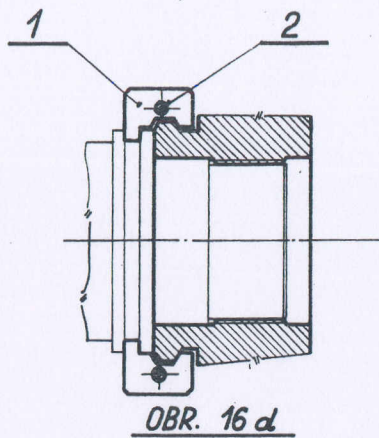
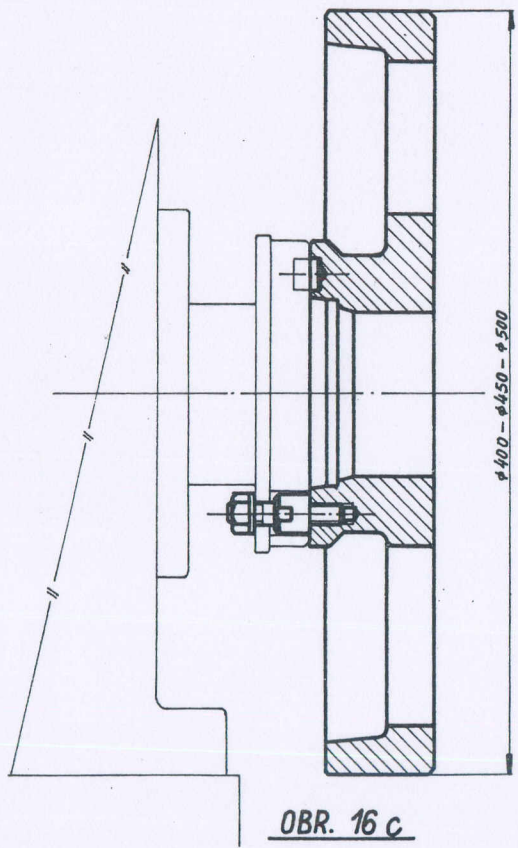




SN 40-71

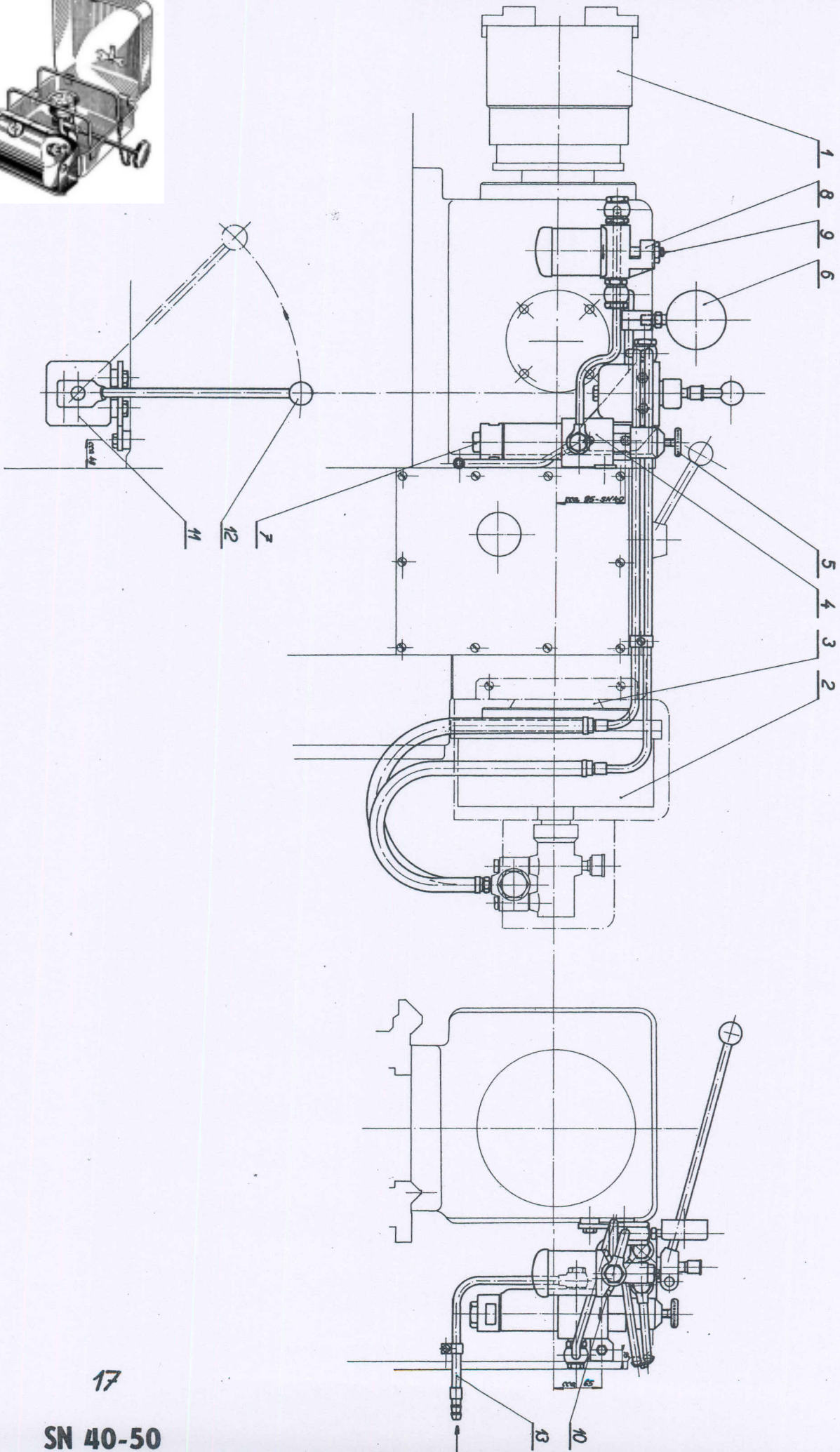
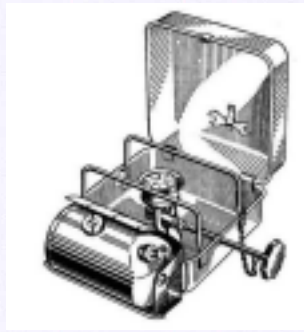
15

1 2 3 4 5 6 7 8 9 10 11 12 13 14 15 16 17 18 19 20 21 22 23



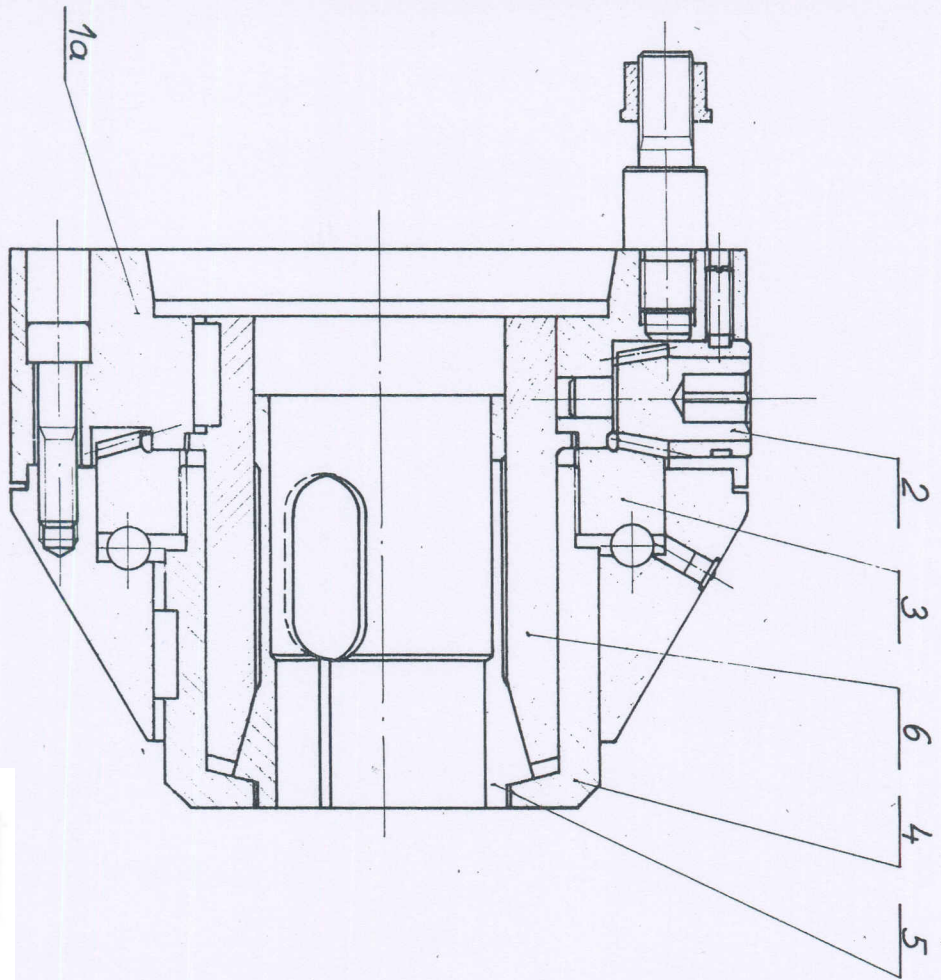
	a	b	c	d	e
SN 40	75 - 400	90	170	139	85
SN 45	75 - 450	90	170	139	85
SN 50	75 - 500	90	170	139	85

SN 40-50

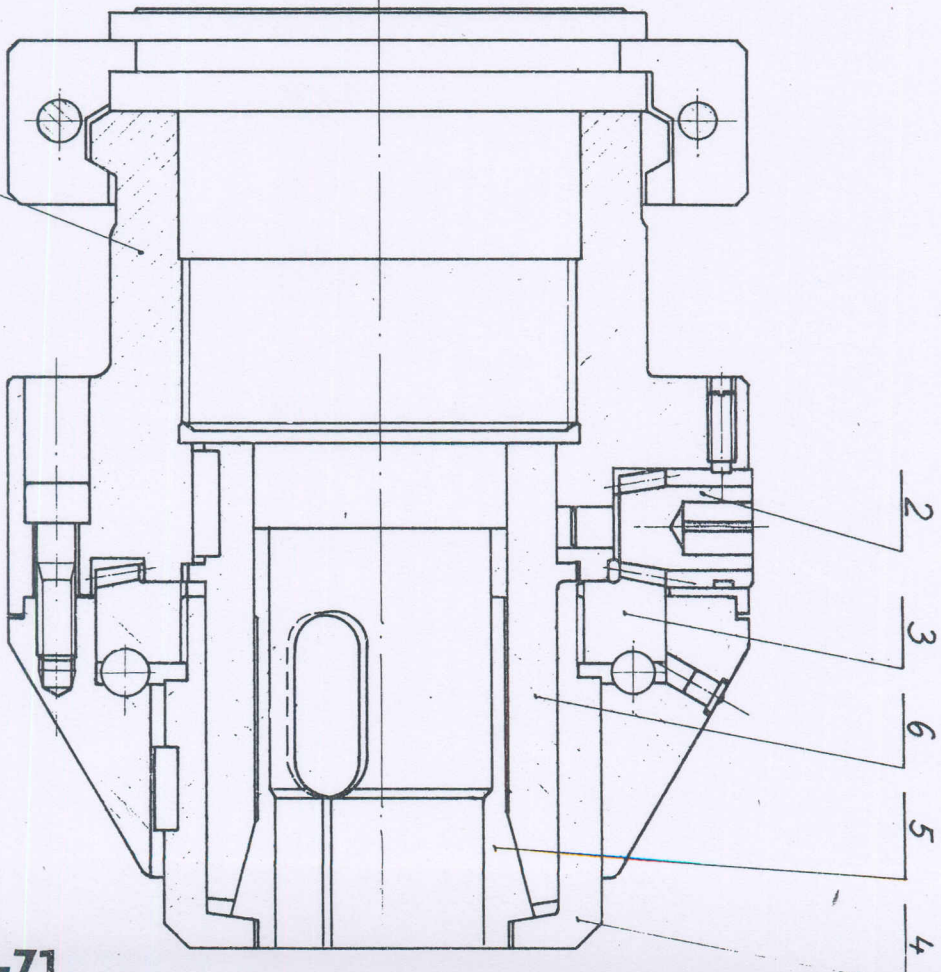
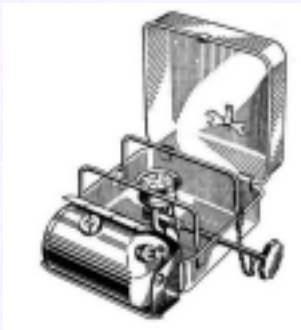


17

SN 40-50

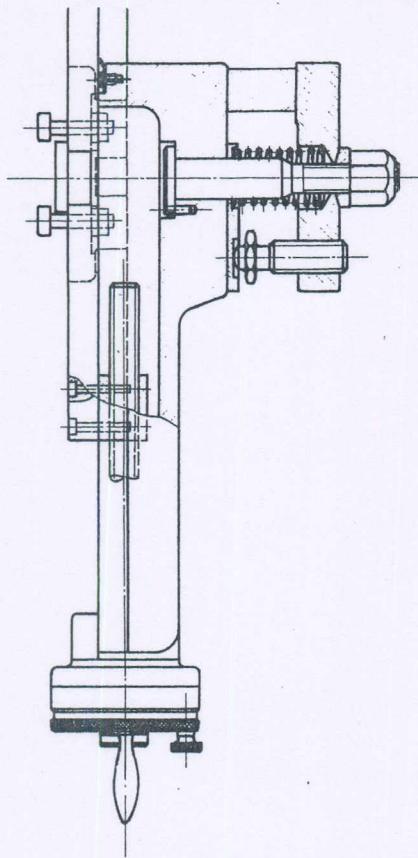
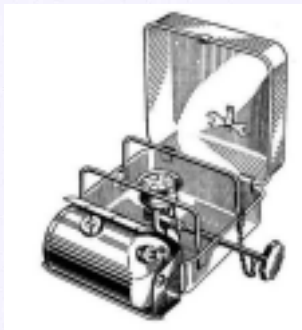


18a

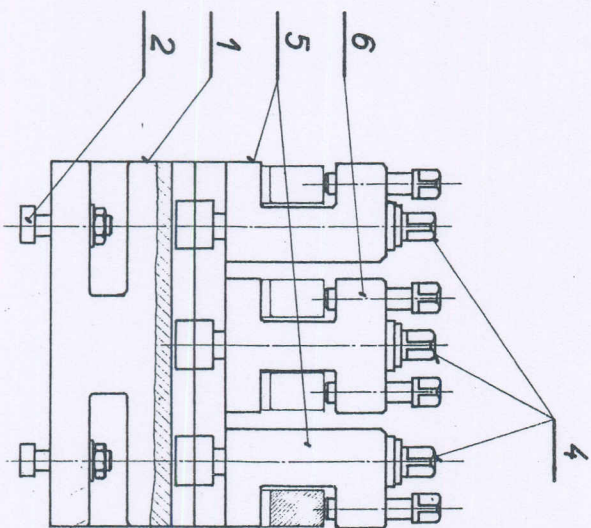


18b

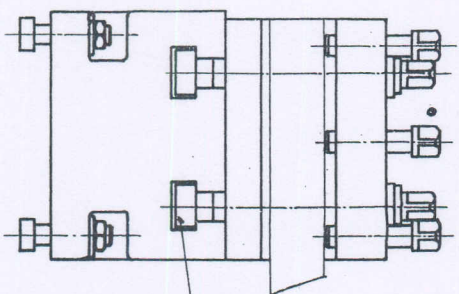
SN 40-71



19B.



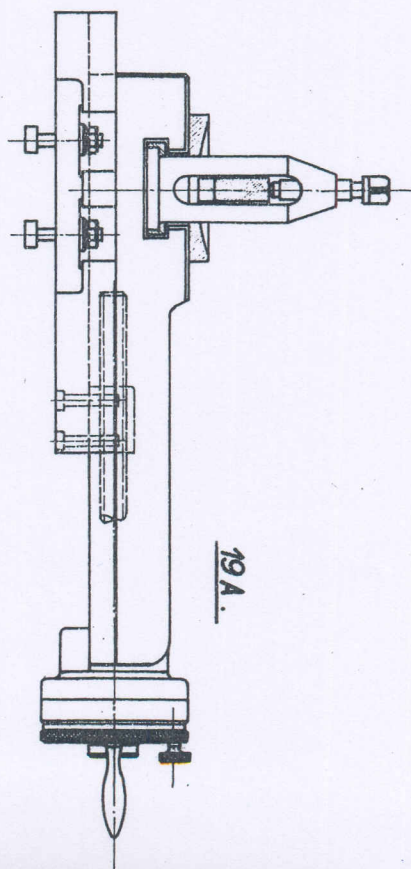
19C.



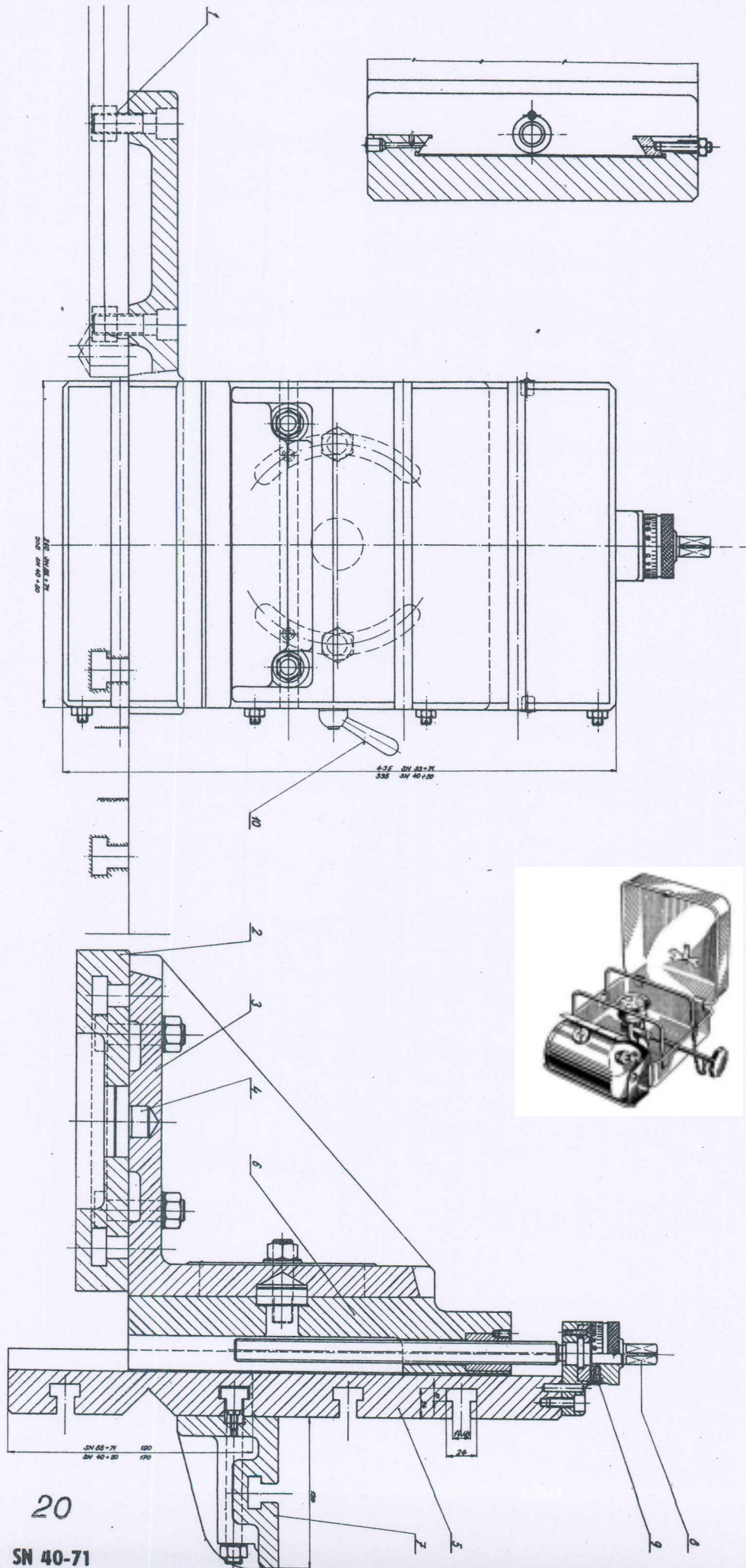
19

SN 40-71

3

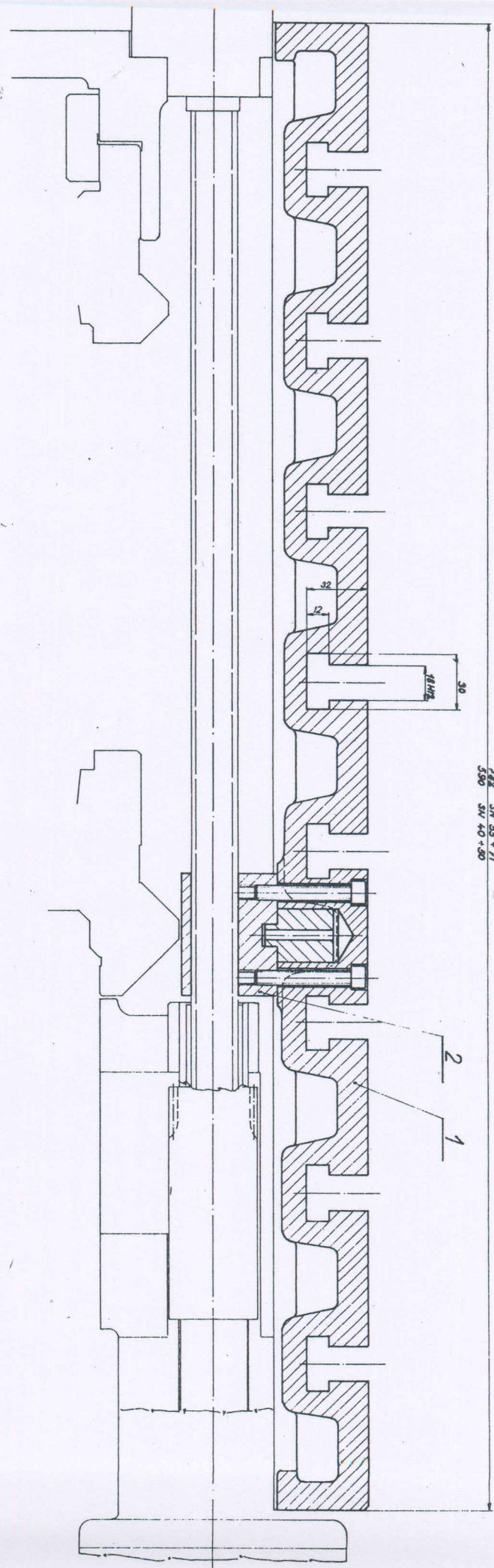


19A.

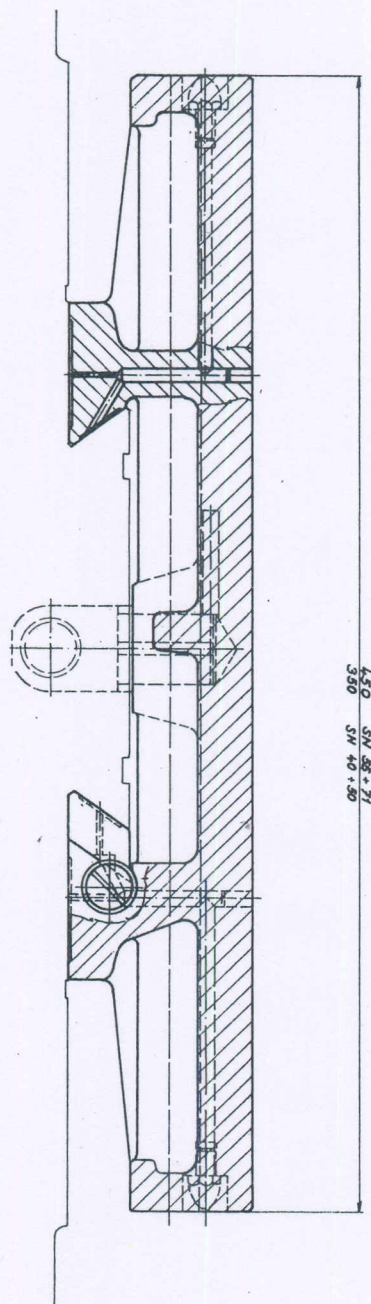


20

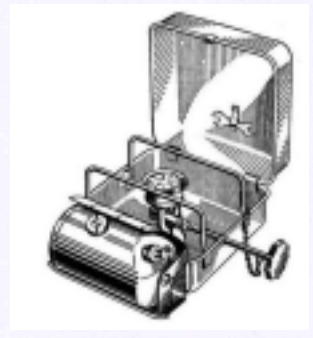
SN 40-71



248 SN 55 + 71
350 SN 40 + 50



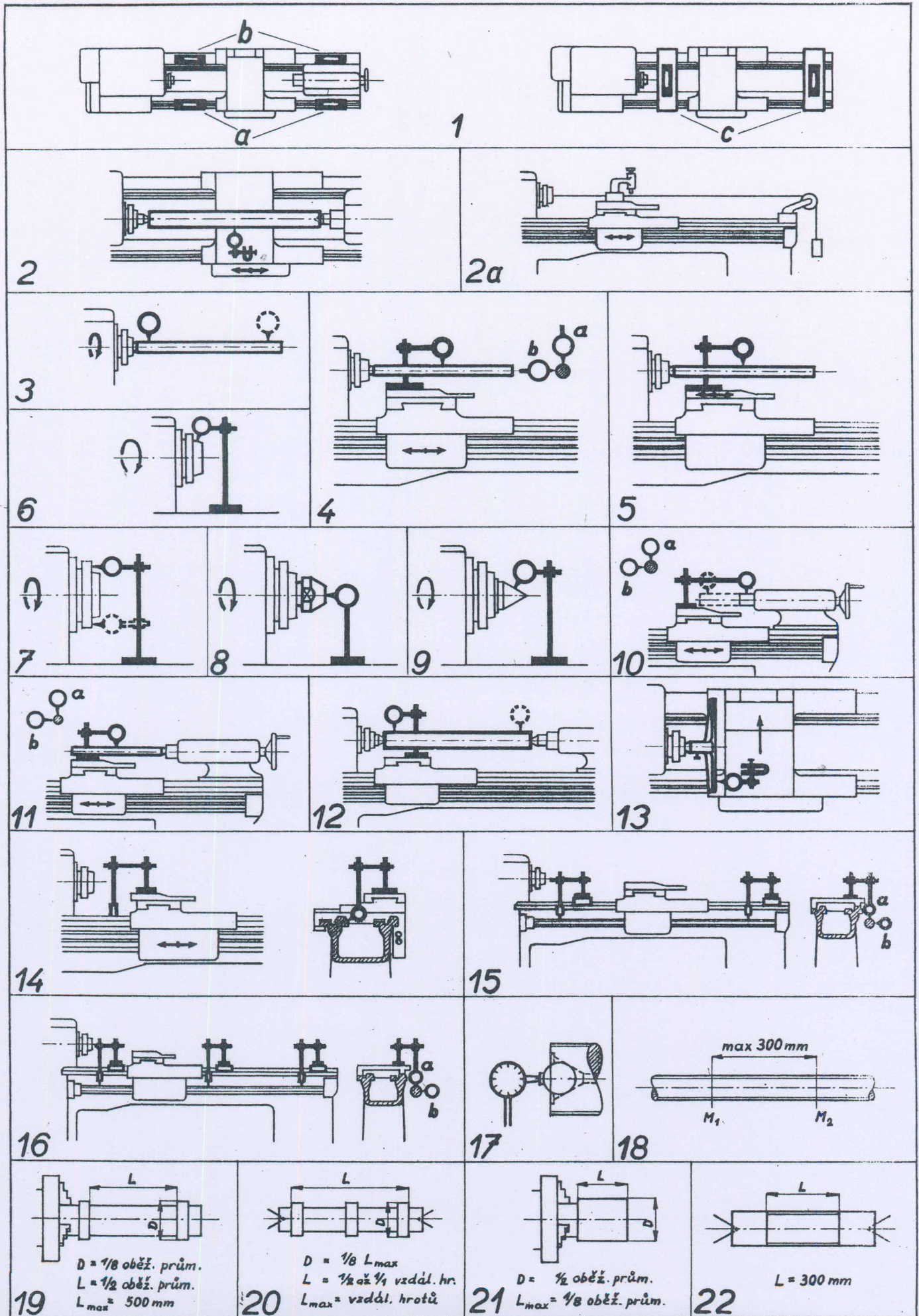
450 SN 58 + 71
350 SN 40 + 50

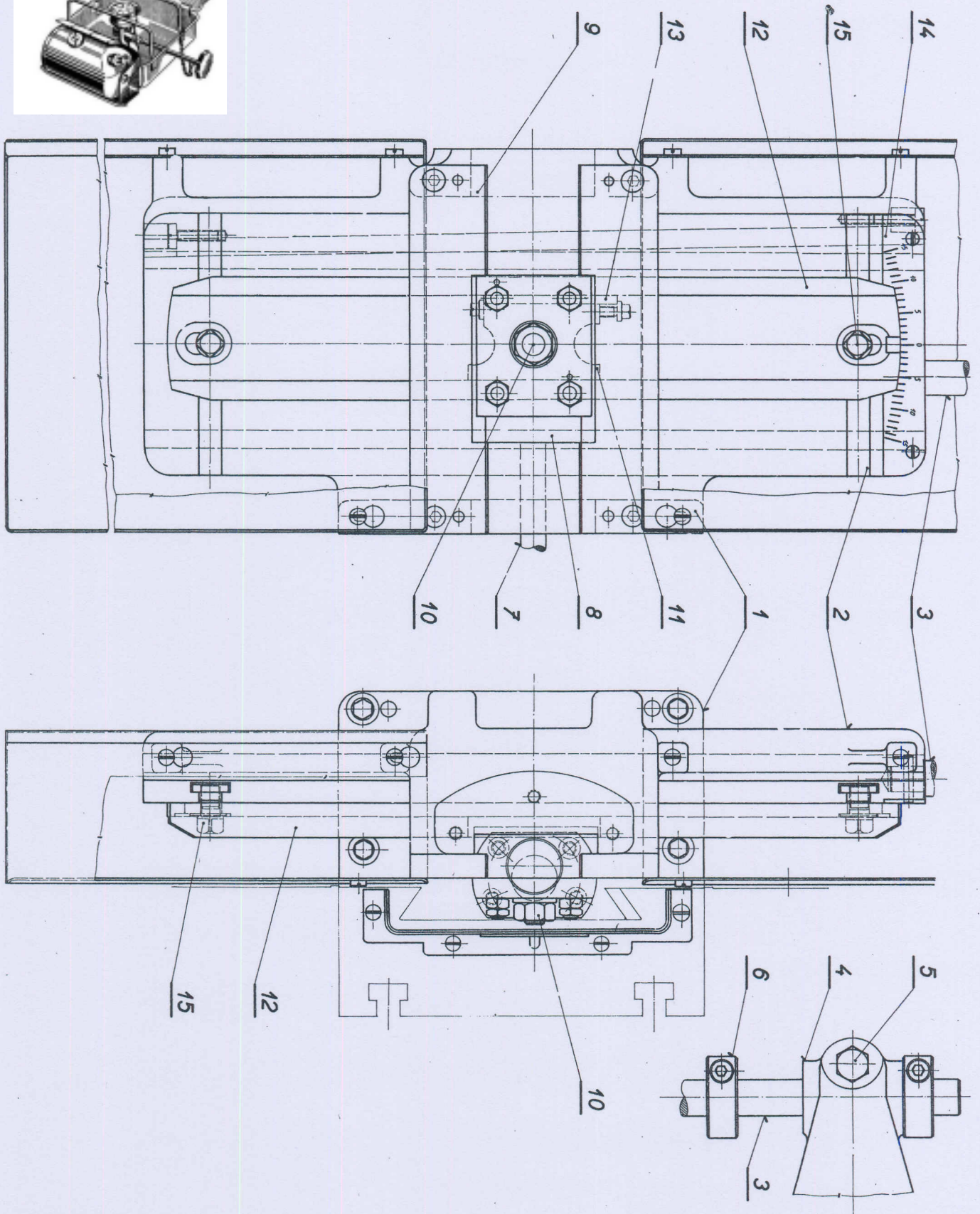
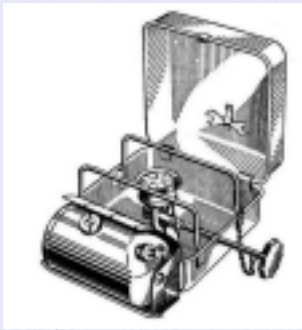


21

SN 40-71

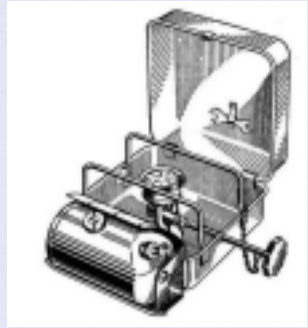
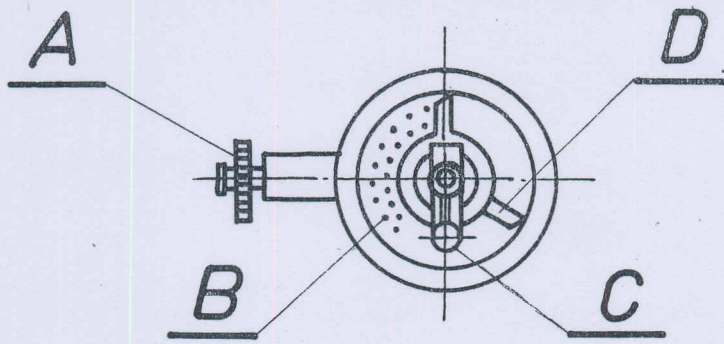
1 800 1 1 1





SN 40-50

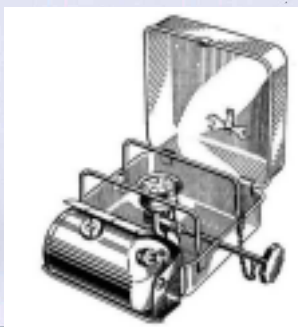
23



A	B	C	D	A	B	C	D	A	B	C	D
2		20			45	4 $\frac{20}{45}$			91	2 $\frac{78}{91}$	
3	45	13 $\frac{15}{45}$	67	9	63	4 $\frac{28}{63}$	89	15	45	2 $\frac{30}{45}$	134
	63	13 $\frac{21}{63}$			81	4 $\frac{36}{81}$			63	2 $\frac{42}{63}$	
	81	13 $\frac{27}{81}$			99	4 $\frac{44}{99}$			81	2 $\frac{54}{81}$	
	99	13 $\frac{33}{99}$		10		4			99	2 $\frac{66}{99}$	
4		10		11	77	3 $\frac{49}{77}$	128	16	96	2 $\frac{48}{96}$	100
5		8			99	3 $\frac{63}{99}$		17	51	2 $\frac{18}{51}$	71
6	45	6 $\frac{30}{45}$	134	12	45	3 $\frac{15}{45}$	67	18	45	2 $\frac{10}{45}$	45
	63	6 $\frac{42}{63}$			63	3 $\frac{21}{63}$			63	2 $\frac{14}{63}$	
	81	6 $\frac{54}{81}$			81	3 $\frac{27}{81}$			81	2 $\frac{18}{81}$	
	99	6 $\frac{66}{99}$			99	3 $\frac{33}{99}$			99	2 $\frac{22}{99}$	
7	49	5 $\frac{35}{49}$	143	13	39	3 $\frac{3}{39}$	16	19	57	2 $\frac{6}{57}$	22
	63	5 $\frac{45}{63}$			91	3 $\frac{7}{91}$		20		2	
	77	5 $\frac{55}{77}$		14	49	2 $\frac{42}{49}$	21	63	1 $\frac{57}{63}$	181	
	91	5 $\frac{65}{91}$			63	2 $\frac{54}{63}$	172	22	77	1 $\frac{63}{77}$	64
8		5		77	2 $\frac{66}{77}$		99	1 $\frac{81}{99}$			

A	B	C	D	A	B	C	D	A	B	C	D	
23	69	$1\frac{51}{69}$	148	33	99	$1\frac{21}{99}$	43		63	$\frac{56}{63}$		
24	45	$1\frac{30}{45}$	134	34	51	$1\frac{9}{51}$	36	45	81	$\frac{72}{81}$	178	
	63	$1\frac{42}{63}$		35	49	$1\frac{7}{49}$	29		99	$\frac{88}{99}$		
	81	$1\frac{54}{81}$			63	$1\frac{9}{63}$		46	69	$\frac{60}{69}$	174	
	99	$1\frac{66}{99}$			77	$1\frac{11}{77}$		47	47	$\frac{40}{47}$	171	
25	45	$1\frac{27}{45}$	120		91	$1\frac{13}{91}$			48	96	$\frac{80}{96}$	167
26	39	$1\frac{21}{39}$	108	36	45	$1\frac{5}{45}$	23	49	49	$\frac{40}{49}$	164	
	91	$1\frac{49}{91}$			63	$1\frac{7}{63}$		50	45	$\frac{36}{45}$	160	
27	81	$1\frac{39}{81}$	97		81	$1\frac{9}{81}$			51	51	$\frac{40}{51}$	157
28	49	$1\frac{21}{49}$	86		99	$1\frac{11}{99}$		17	52	39	$\frac{30}{39}$	154
	63	$1\frac{27}{63}$		37	37	$1\frac{3}{37}$	91			$\frac{70}{91}$		
	77	$1\frac{33}{77}$		38	57	$1\frac{3}{57}$	11		53	53	$\frac{40}{53}$	151
	91	$1\frac{39}{91}$		39	39	$1\frac{1}{39}$	6		54	81	$\frac{60}{81}$	149
29	87	$1\frac{33}{87}$	76	40	1		55	77	$\frac{56}{77}$	146		
30	45	$1\frac{15}{45}$	67	41	41	$\frac{40}{41}$		195	99		$\frac{72}{99}$	
	63	$1\frac{21}{63}$		42	63	$\frac{60}{63}$	191	56	49	$\frac{35}{49}$	143	
	81	$1\frac{27}{81}$		43	43	$\frac{40}{43}$	186		63	$\frac{45}{63}$		
	99	$1\frac{33}{99}$		44	77	$\frac{70}{77}$	182		77	$\frac{55}{77}$		
31	93	$1\frac{27}{93}$	99		$\frac{90}{99}$				91	$\frac{65}{91}$		
32	96	$1\frac{24}{96}$	50		45	$\frac{40}{45}$	178	57	57	$\frac{40}{57}$	141	

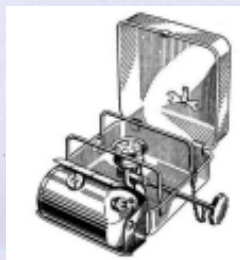
SN 40-71
24b

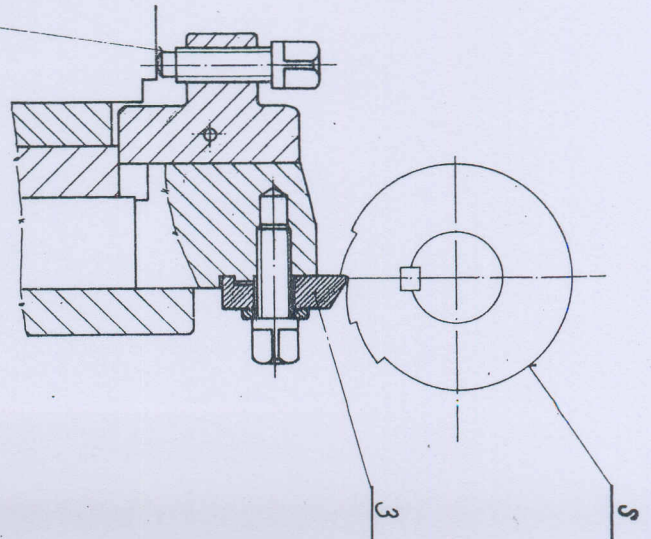
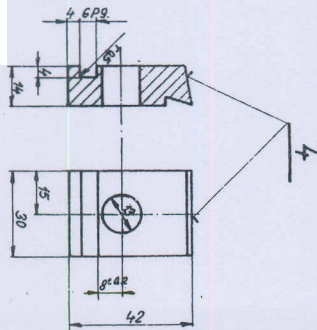
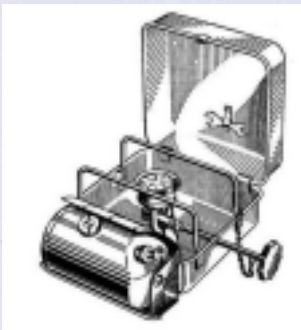
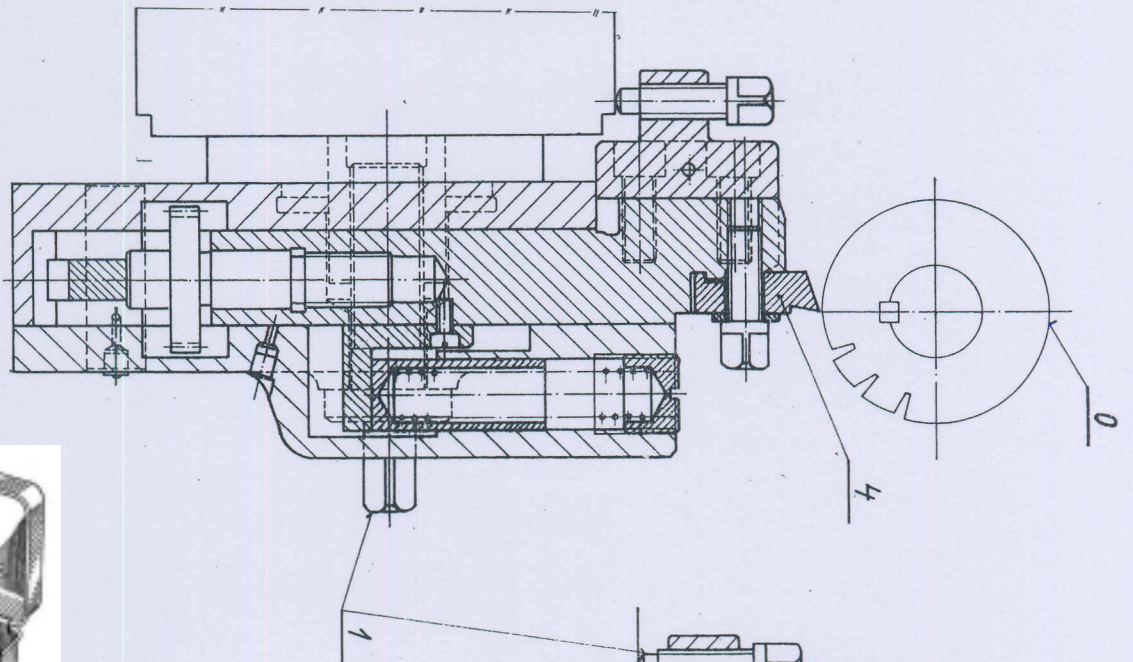
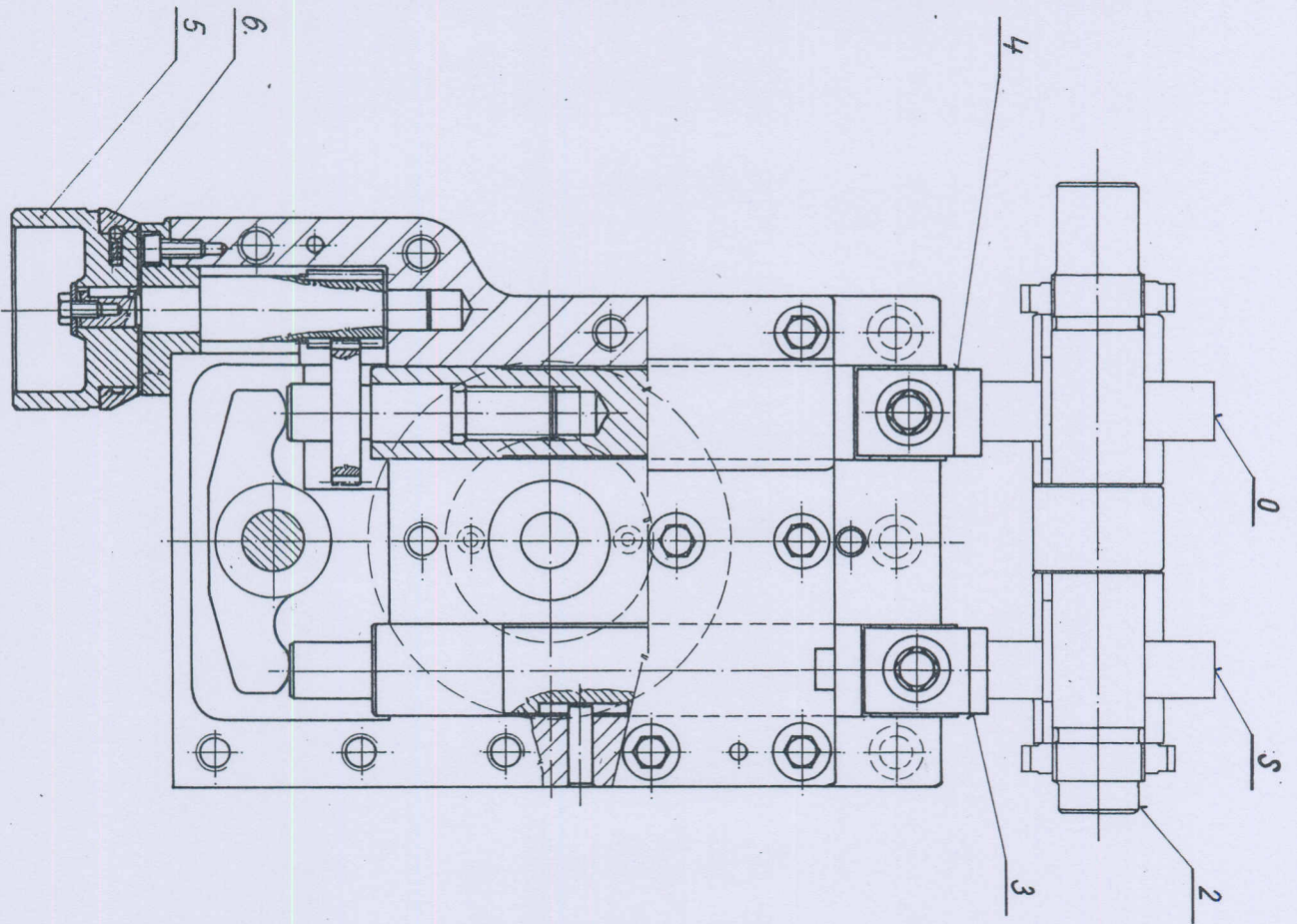


A	B	C	D	A	B	C	D	A	B	C	D	
58	87	$\frac{60}{87}$	138	71	71	$\frac{40}{71}$	113	88	77	$\frac{35}{77}$	91	
59	59	$\frac{40}{59}$	136	72	45	$\frac{25}{45}$	112		89	99		$\frac{45}{99}$
60	45	$\frac{30}{45}$	134		63	$\frac{35}{63}$		90	89	89	$\frac{40}{89}$	90
	63	$\frac{42}{63}$			81	$\frac{45}{81}$			45	$\frac{20}{45}$	89	
	81	$\frac{54}{81}$			99	$\frac{55}{99}$			63	$\frac{28}{63}$		
99	$\frac{66}{99}$	73	73	$\frac{40}{73}$	110	81	$\frac{36}{81}$					
61	61	$\frac{40}{61}$	132	74	37	$\frac{20}{37}$	109	99	$\frac{44}{99}$			
62	93	$\frac{60}{93}$	130	75	45	$\frac{24}{45}$	107	91	91	$\frac{40}{91}$	88	
63	63	$\frac{40}{63}$	127	76	57	$\frac{30}{57}$	106	92	69	$\frac{30}{69}$	87	
64	96	$\frac{60}{96}$	125	77	77	$\frac{40}{77}$	104	93	93	$\frac{40}{93}$	87	
65	39	$\frac{24}{39}$	124	78	39	$\frac{20}{39}$	103	94	47	$\frac{20}{47}$	86	
	91	$\frac{56}{91}$		79	79	$\frac{40}{79}$	102	95	57	$\frac{24}{57}$	85	
66	99	$\frac{60}{99}$	122	80	96	$\frac{48}{96}$	100	96	96	$\frac{40}{96}$	84	
67	67	$\frac{40}{67}$	120	81	81	$\frac{40}{81}$	99	97	97	$\frac{40}{97}$	83	
68	51	$\frac{30}{51}$	118	82	41	$\frac{20}{41}$	98	98	49	$\frac{20}{49}$	82	
69	69	$\frac{40}{69}$	116	83	83	$\frac{40}{83}$	97	99	99	$\frac{40}{99}$	81	
70	49	$\frac{28}{49}$	115	84	63	$\frac{30}{63}$	96	100	45	$\frac{18}{45}$	80	
	63	$\frac{36}{63}$		85	51	$\frac{24}{51}$	95					
	77	$\frac{44}{77}$		86	43	$\frac{20}{43}$	94					
	91	$\frac{52}{91}$		87	87	$\frac{40}{87}$	92					

SN 40-71

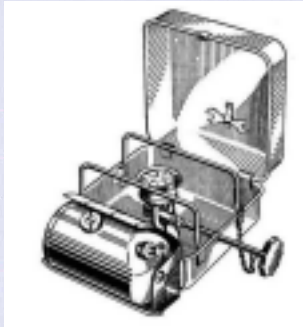
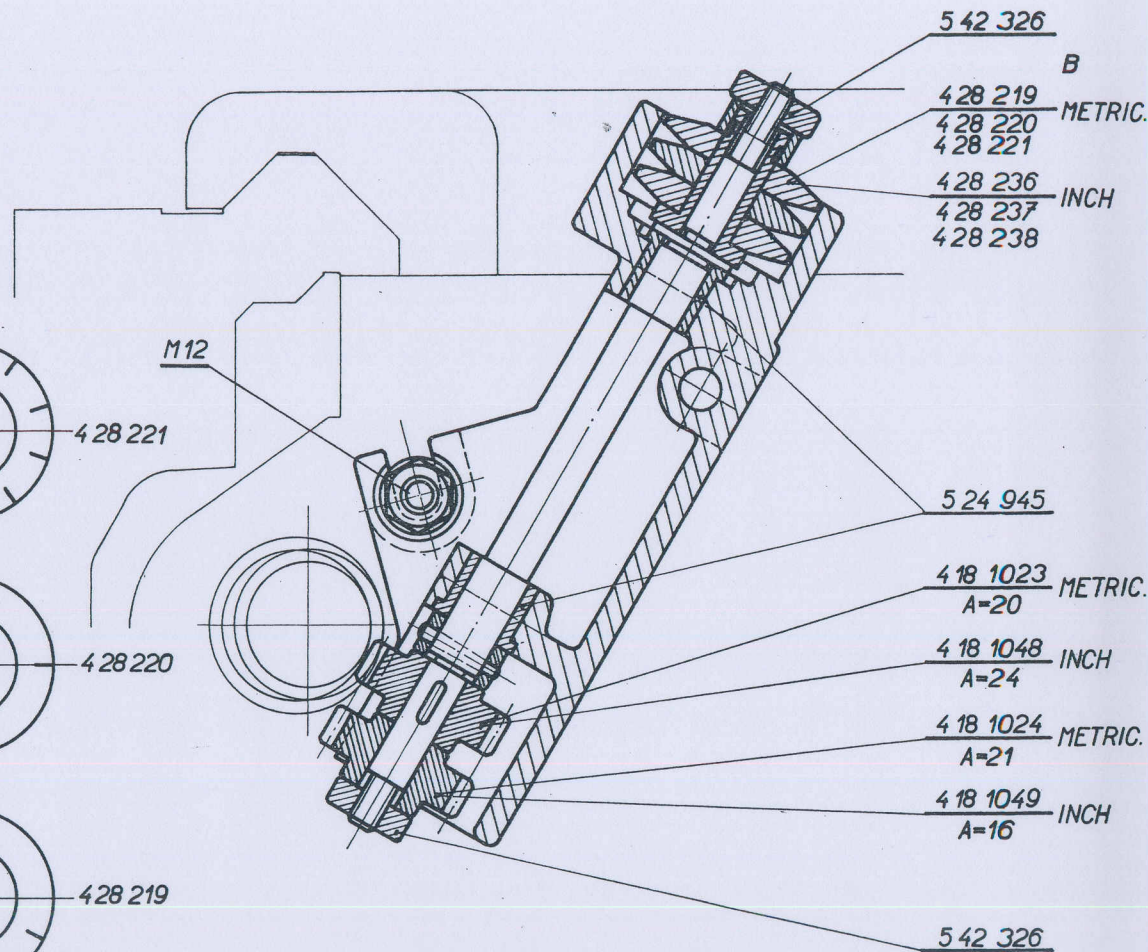
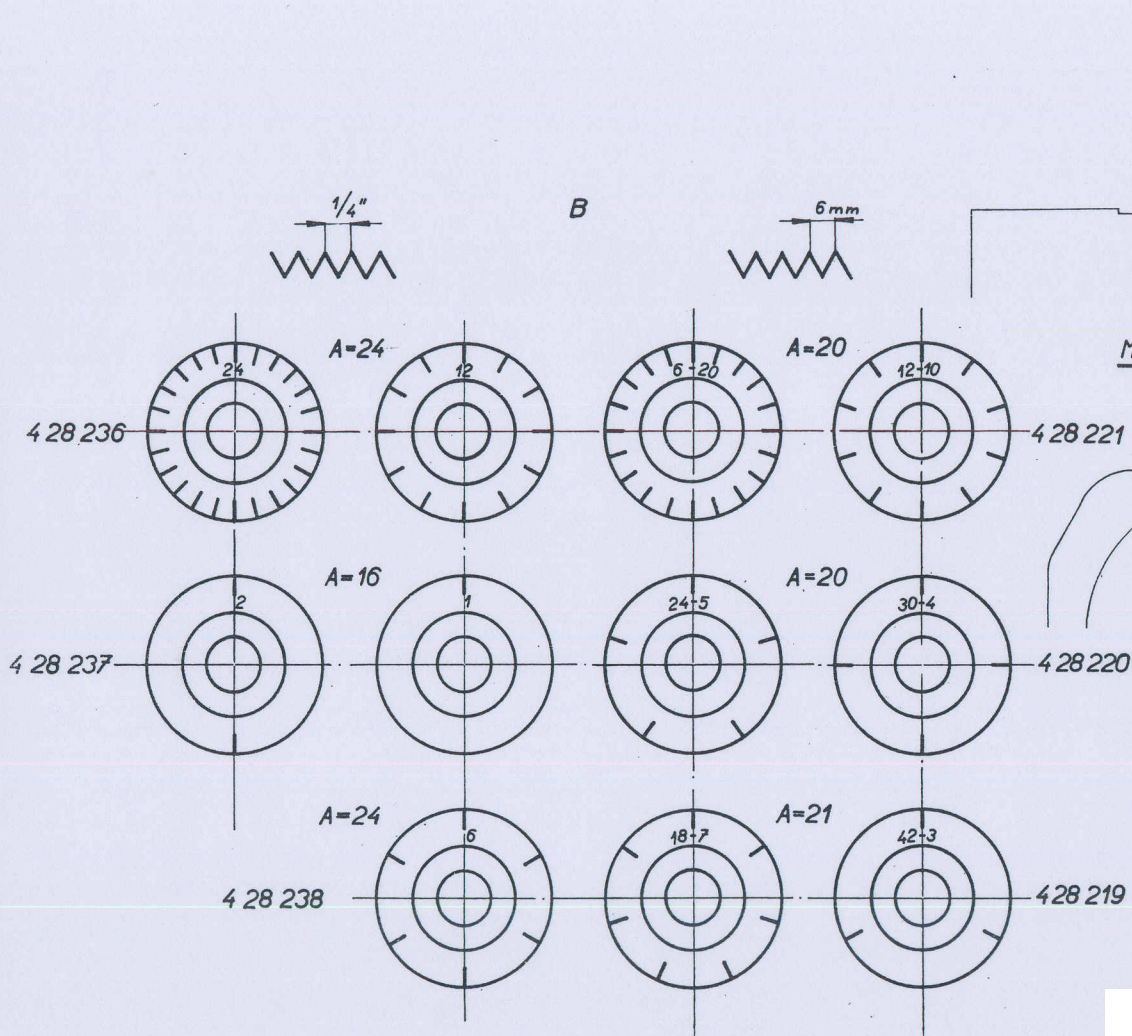
24c

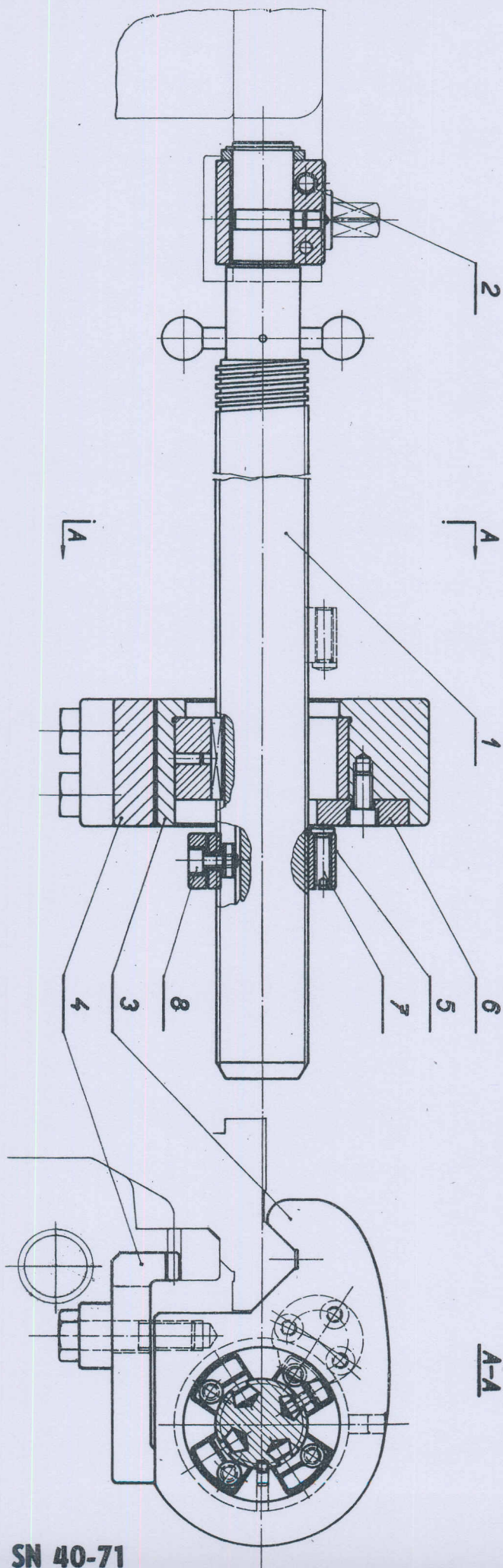
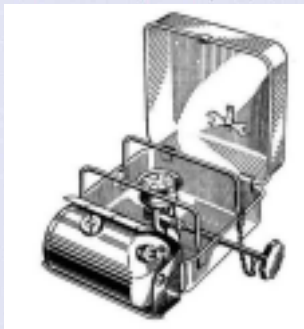




25

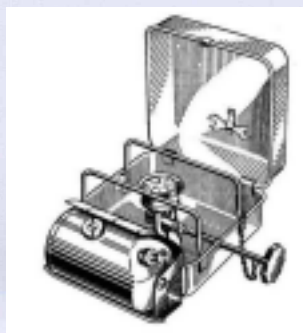
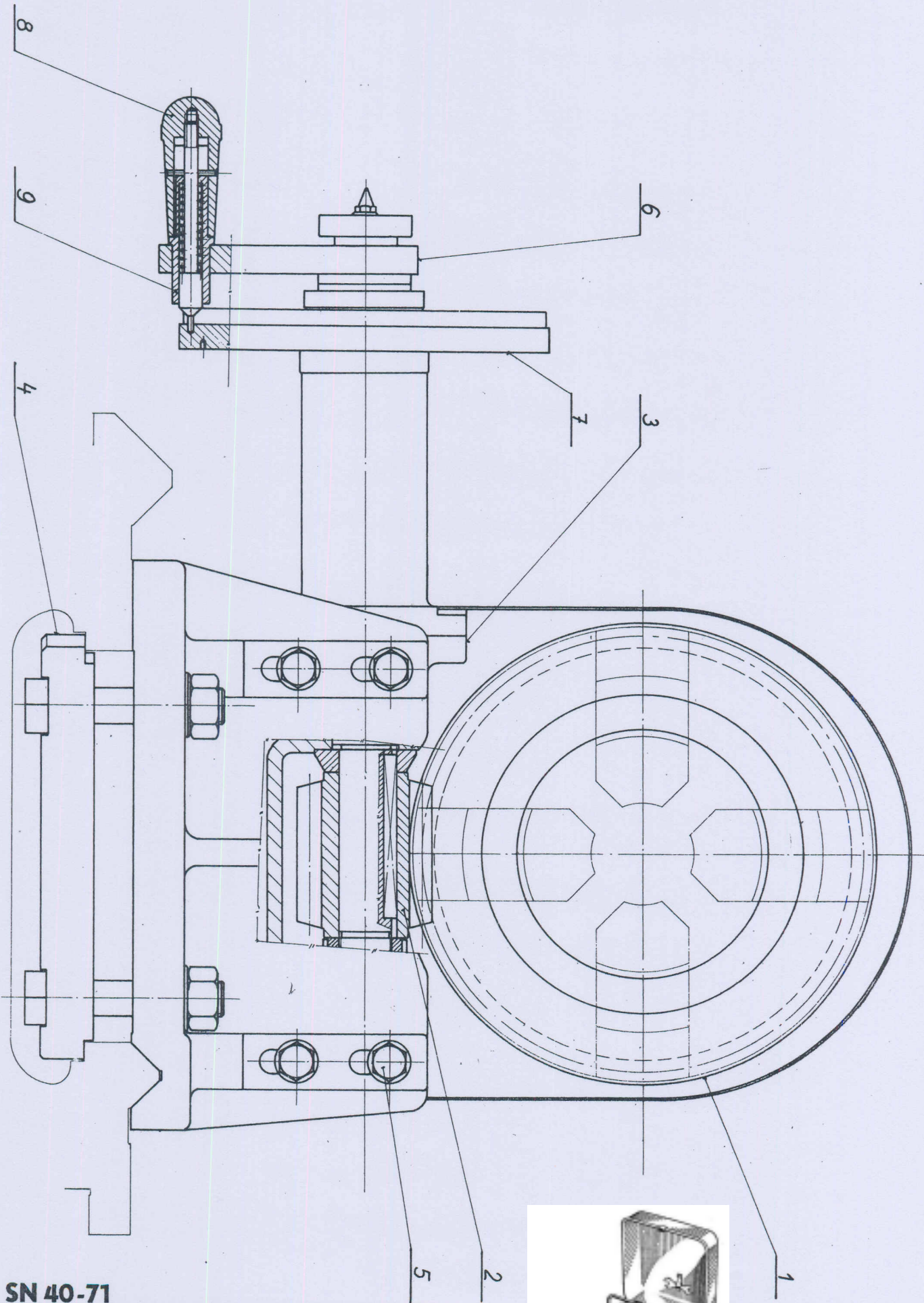
SN 40-71



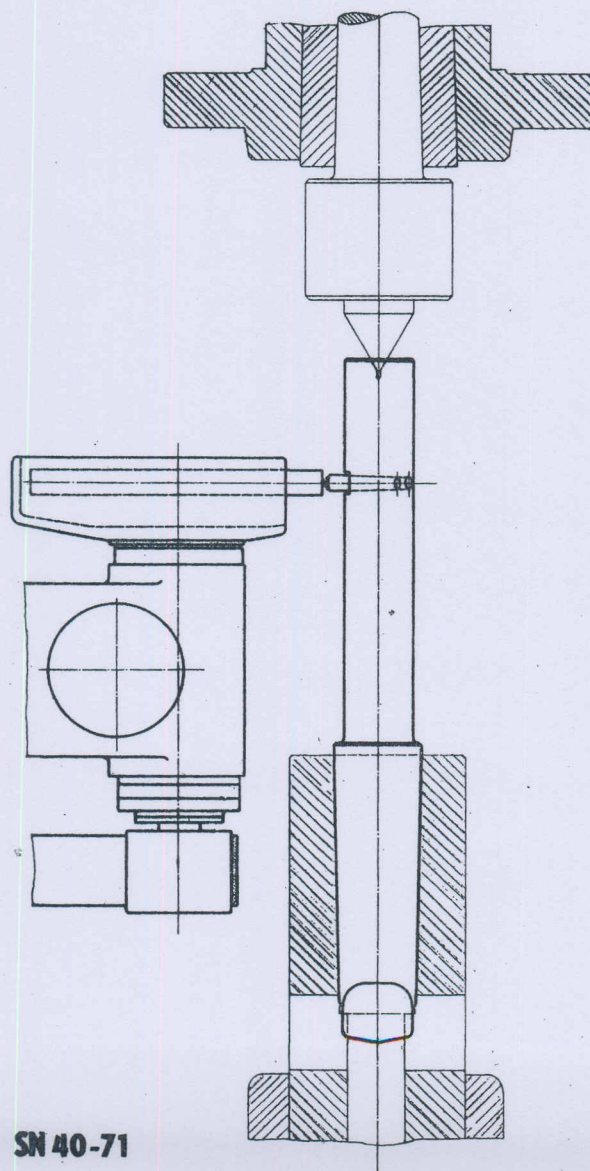
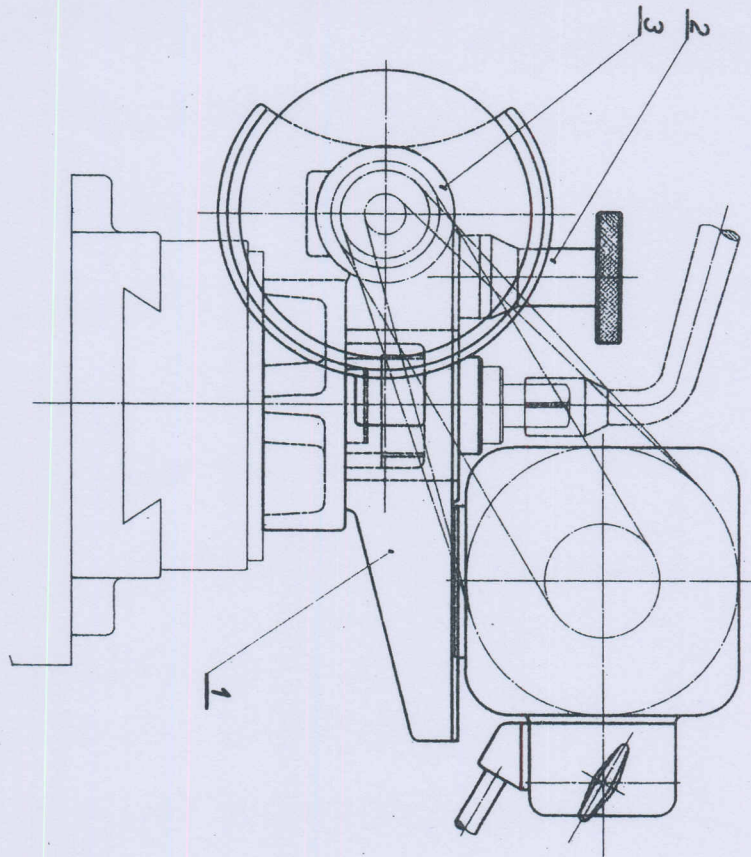
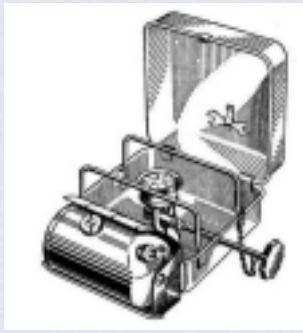


27

SN 40-71

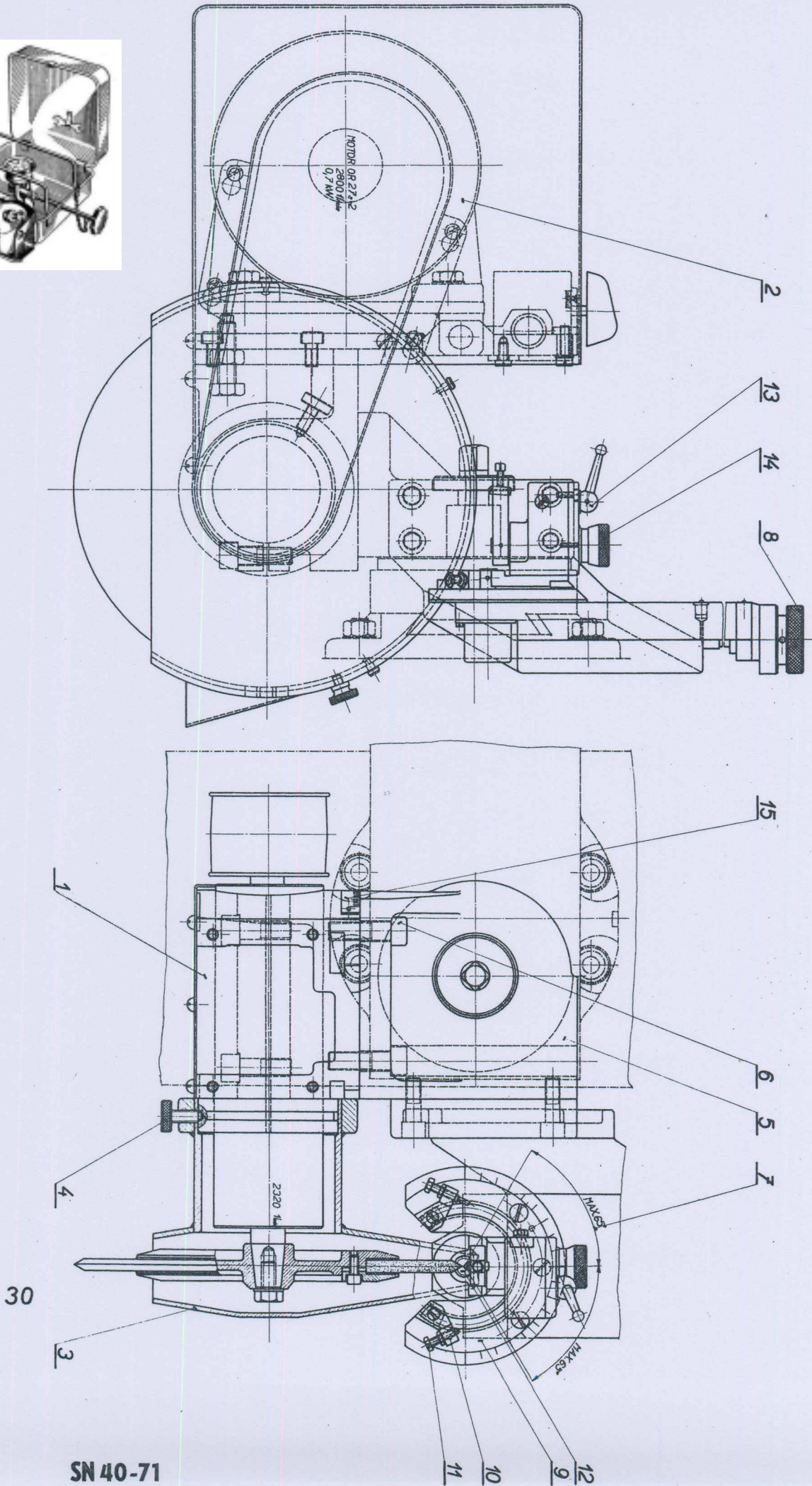
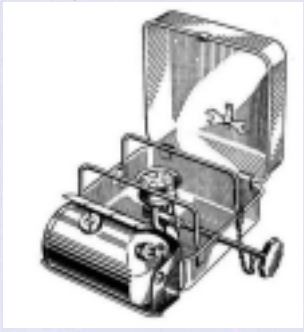


SN 40-71
28

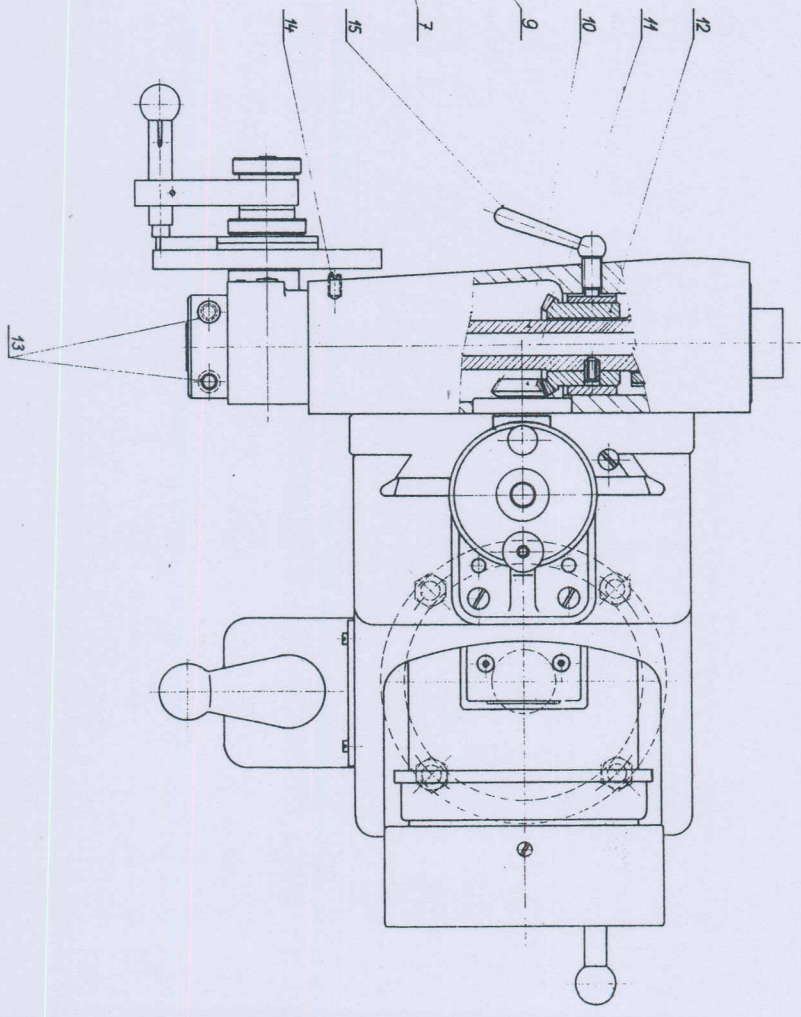
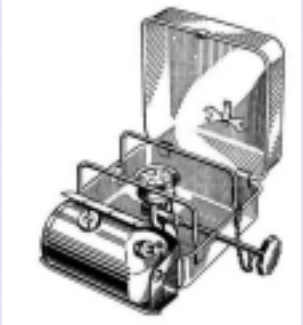
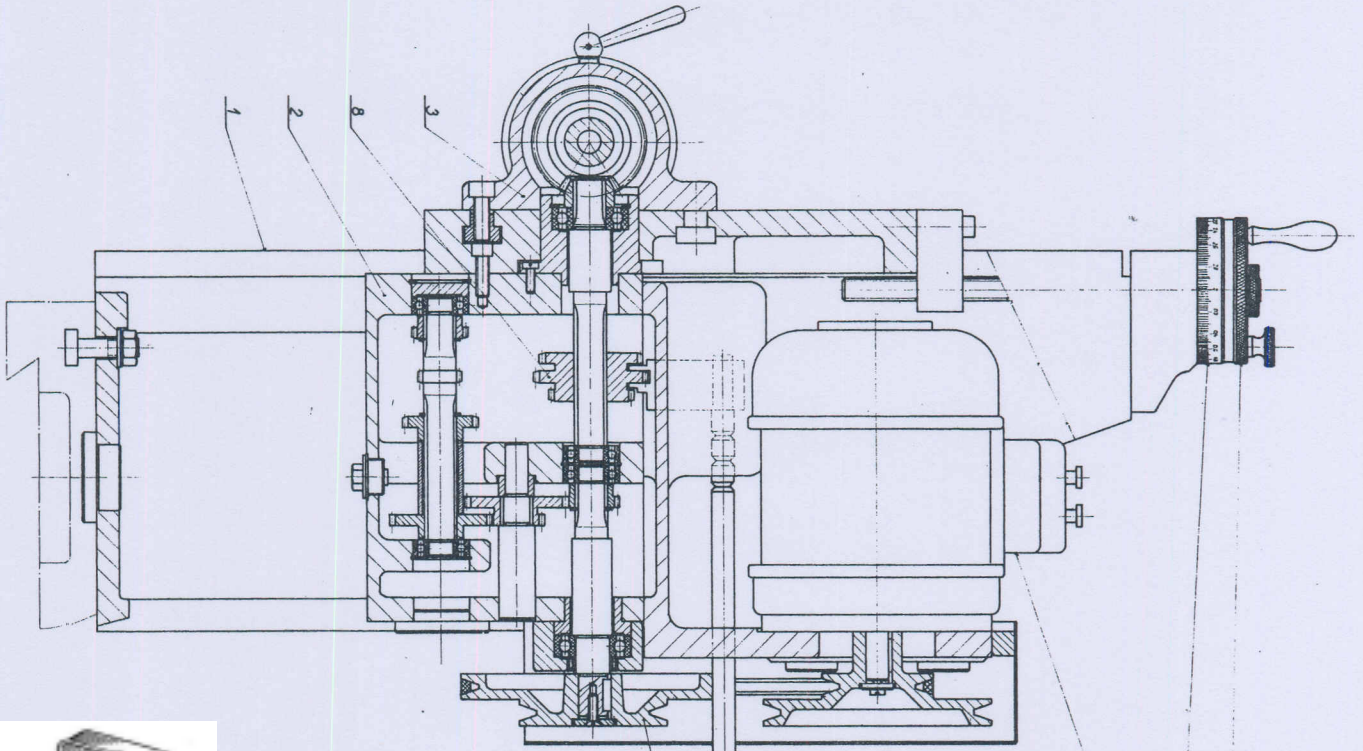


29

SN 40-71



SN 40-71



31

SN 40-71