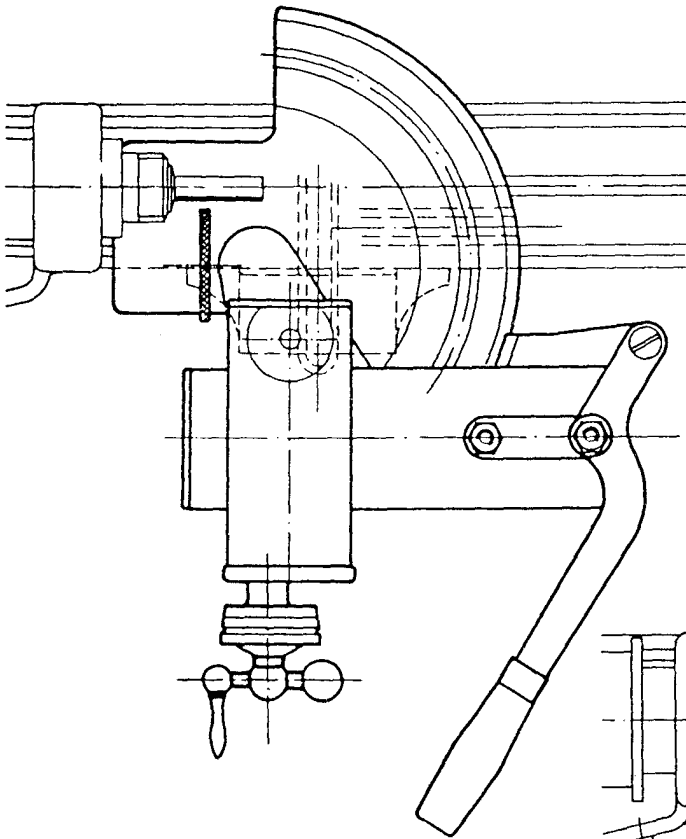
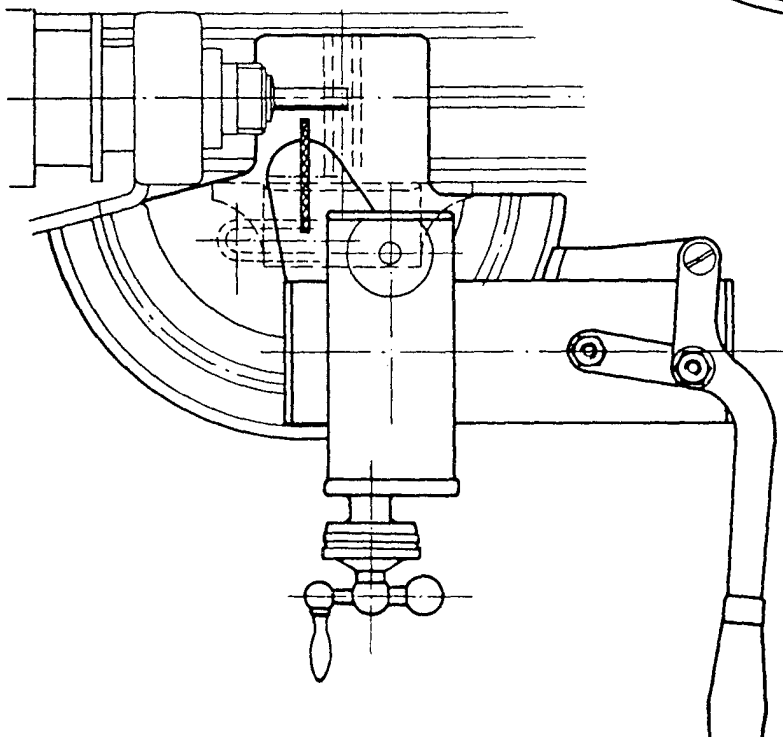
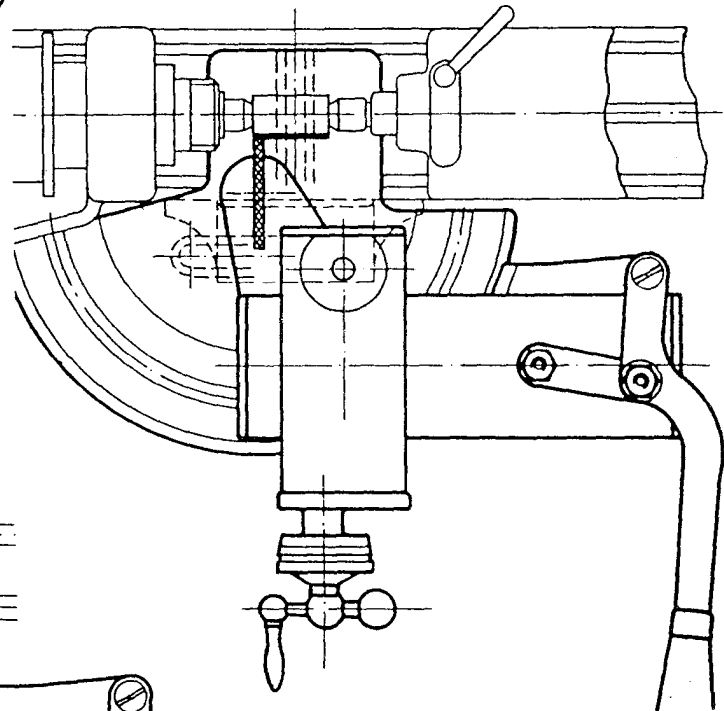


70 & 102 CHARIOT À RECTIFIER - SCHLEIFSCHLITTEN - GRINDING CARRIAGE



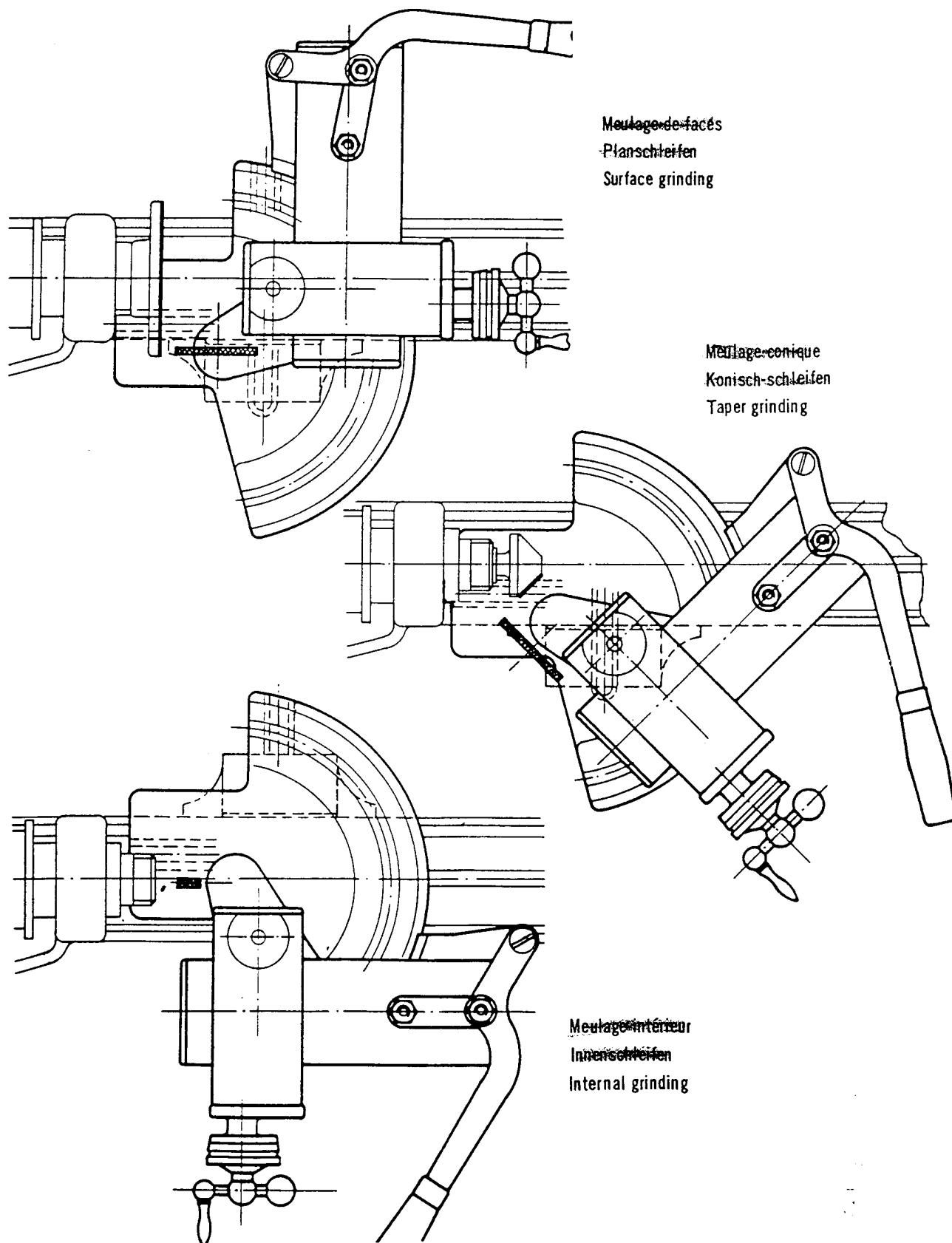
Meulage cylindrique sans contre-poupée
Zylindrisch-schleifen ohne Reitstock
Cylindrical grinding without tailstock

Meulage cylindrique avec contre-poupée
Zylindrisch-schleifen mit Reitstock
Center cylindrical grinding



Meulage cylindrique sans contre-poupée
Zylindrisch-schleifen ohne Reitstock
Cylindrical grinding without tailstock

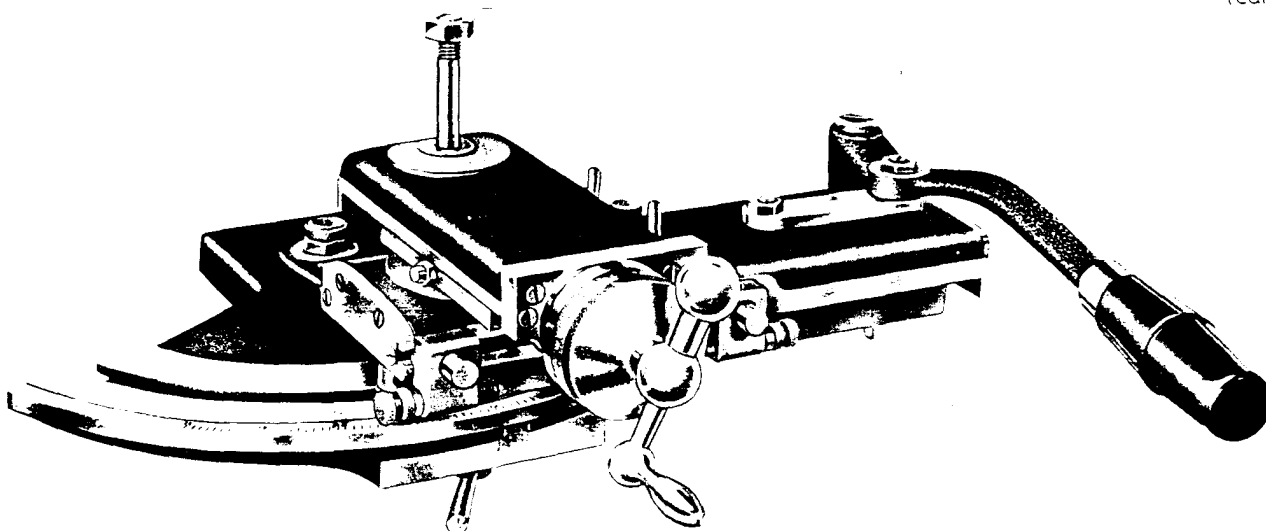
70 & 102 CHARIOT À RECTIFIER - SCHLEIFSCHLITTEN - GRINDING CARRIAGE



Meulage de faces
Planschleifen
Surface grinding

Meulage conique
Konischschleifen
Taper grinding

Meulage intérieur
Innenschleifen
Internal grinding



102-51

Grinding carriage with 120° swivel base (10° back, 110° forward)

supplied without grinding attachment (see pages 59 and 60)

Operation of longitudinal slide by means of lever

Operation of cross slide by means of micrometer screw

Reading of settings

Longitudinal stroke

Transverse stroke

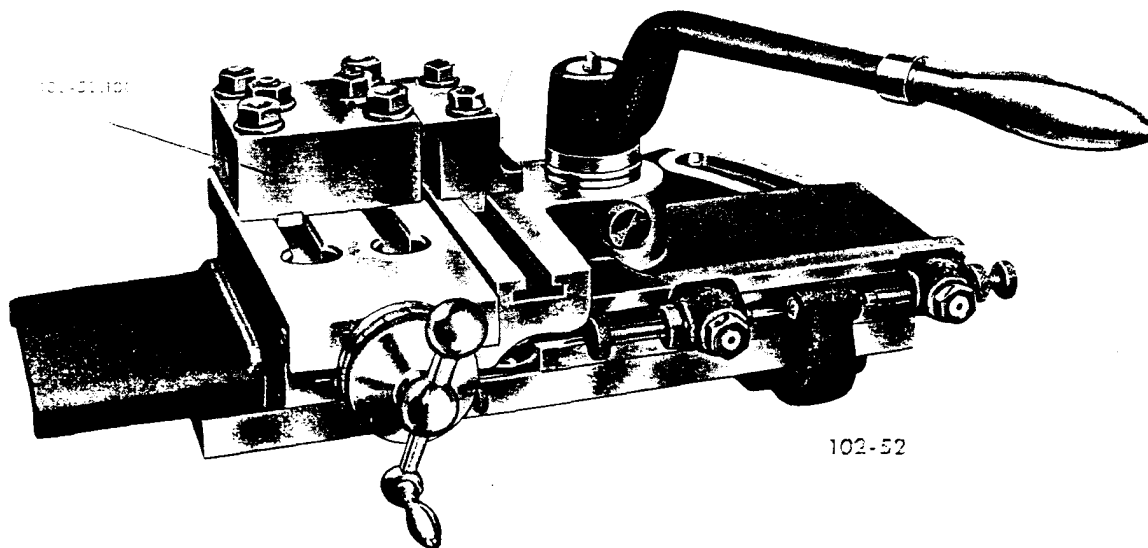
Adjustable stops on longitudinal slide

Supplied with fixing screws for grinding attachment

	mm (in.)
Reading of settings	.01 (.002)
Longitudinal stroke	80 (3 ¹ / ₂)
Transverse stroke	50 (2)

Weight: 12.100 kg (26.68 lbs)

NOTE: Grinding is much more economical with the special carriage 102-51 above than with any of the carriages shown on pages 48 and 49.
The carriage 102-51 does not permit fitting of the internal-grinding attachment 102-87.800 (page 60).



102-52

Slotting carriage with 30° swivel base

Operation of longitudinal slide by means of lever and rack

Operation of cross slide by means of micrometer screw

Reading of settings

Longitudinal stroke

Transverse stroke

Adjustable stops on longitudinal slide

Supplied with 1 toolholder 102-52.100 with bores dia. 13 and 20 mm (.512 and .787") and 2 bolts for fixing in T-slot.

1 adjustable support-block 102-52.110 for toolholder, with 2 bolts for fixing in T-slot.

	mm (in.)
Reading of settings	.01 (.001)
Longitudinal stroke	120 (4 ³ / ₄)
Transverse stroke	60 (2 ³ / ₈)

Weight: 23.300 kg (51.37 lbs)

ADJUSTABLE AND SWIVELLING BELT TENSIONING ATTACHMENT WITH INDIVIDUAL DRIVE

