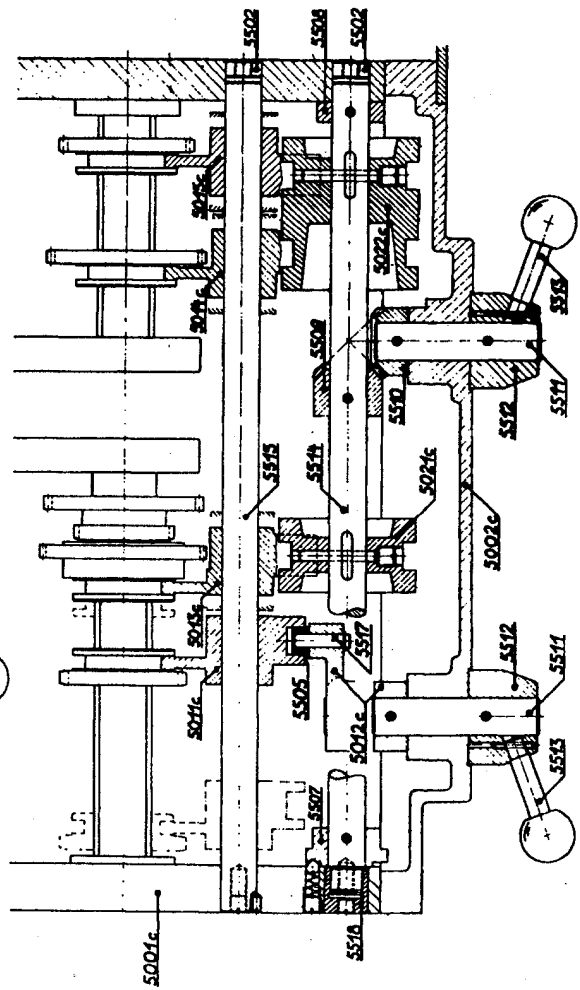
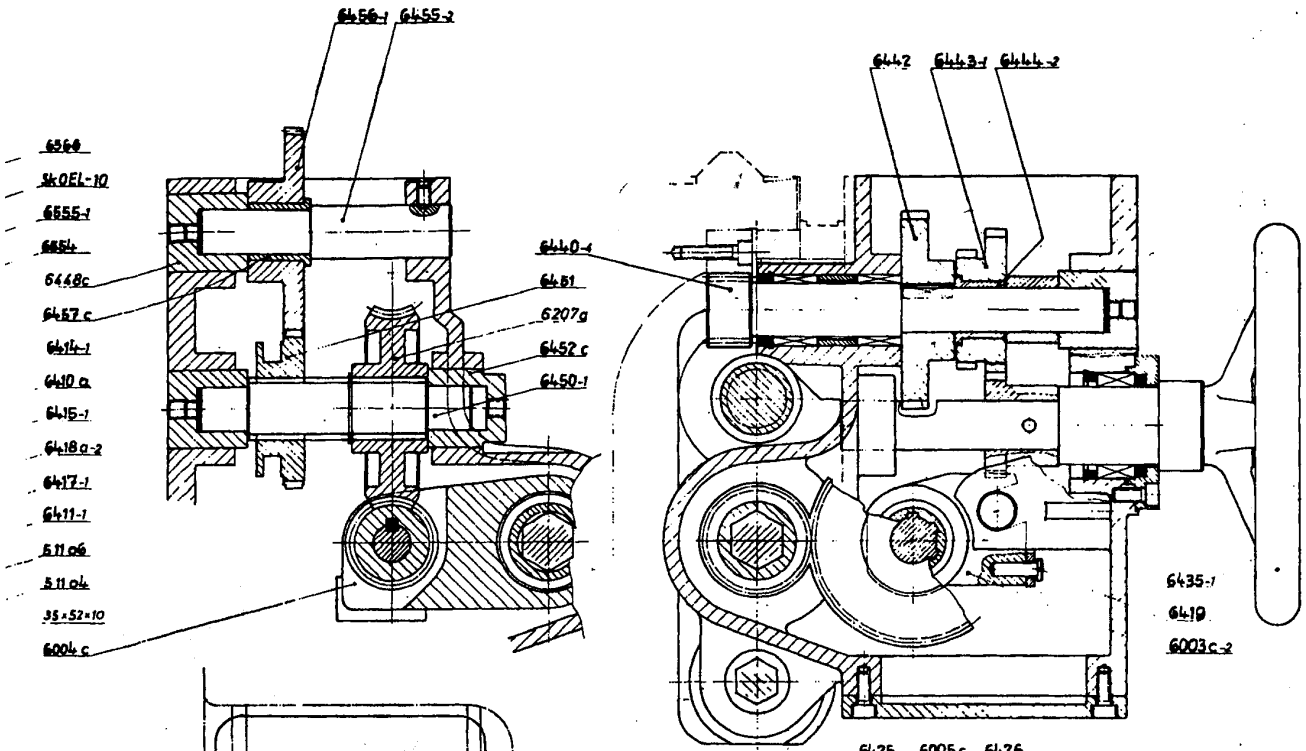


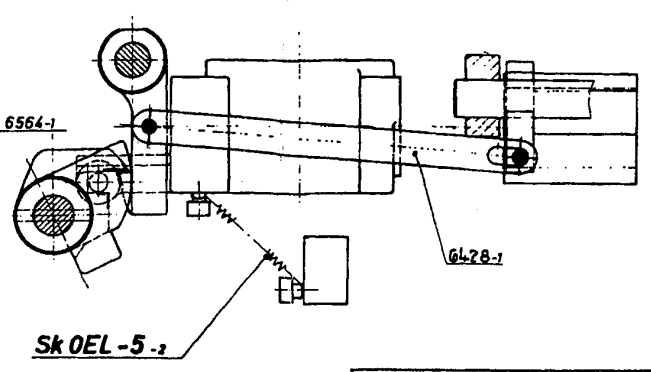
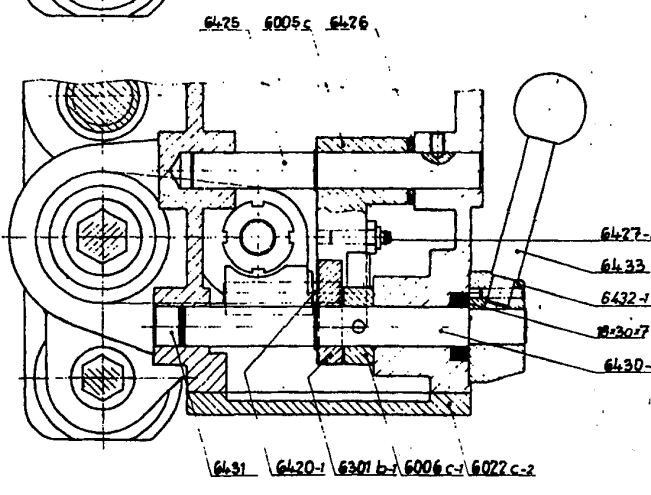
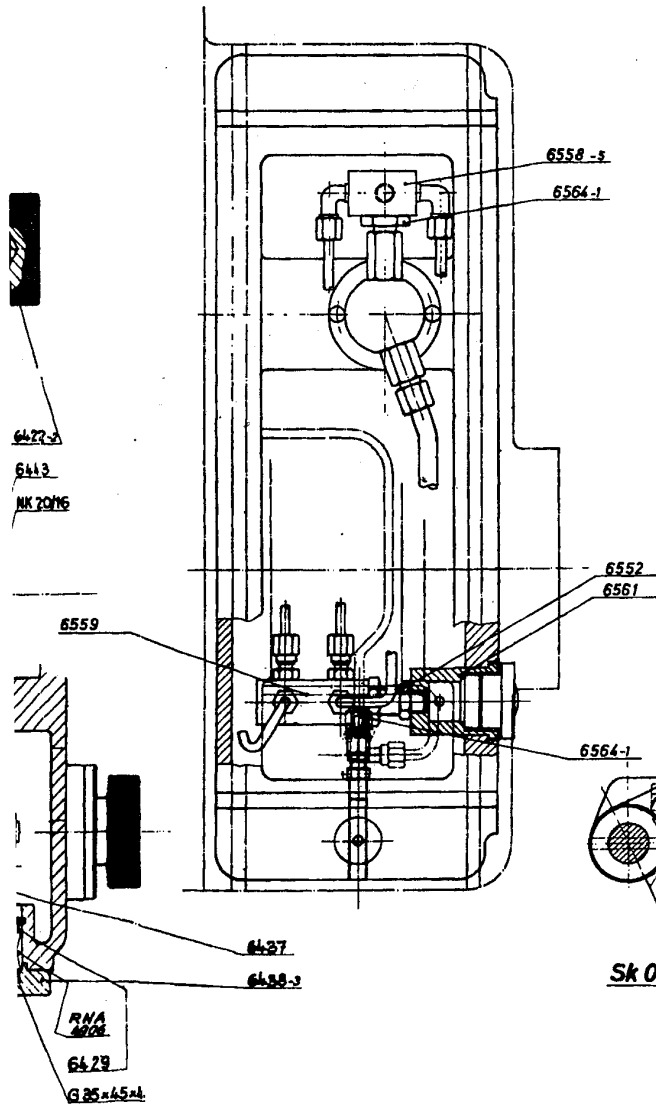
Maschinentyp : M OOL
 SCHALTKASTEN
 GEARBOX
 INTERRUPTEUR
 CAJA NORTON

| | | |
|----------------|-----------------------------|----------------|
| Modell MOOL | Schalnkasten Gearbox S.2 | Maßstab 1:1 |
|----------------|-----------------------------|----------------|





- 6566
- Sk OEL-10
- 6555-1
- 6854
- 6448c
- 6457c
- 6414-1
- 6410a
- 6415-1
- 6418a-2
- 6417-1
- 6411-1
- 51106
- 51104
- 35x52x10
- 6004c



| | | |
|----------------|--------------------------|----------------|
| Modell MOOL | Schloßkasten Apronbox | Maßstab 1:1 |
|----------------|--------------------------|----------------|

