



PARTS LIST

FOR

HARDINGE SUPER-PRECISION TOOL ROOM LATHE

MODEL HLV-H

STARTING SERIAL #100

HARDINGE BROTHERS, INC.

**ELMIRA, NEW YORK
PL-27**

HOW TO ORDER REPAIR PARTS

You Will Receive Quicker And Better Service When
Ordering Repair Parts If You Will Follow The Instructions Below

These Four Requirements Are Essential:

1. State Amount Required.
2. Give Key Number, Part Number and Name of Part.
3. Give Complete Serial Number of the Machine. (This is Located on the Back of the Bed at the Right Hand End.)
4. Specify How and Where to Ship.

TABLE OF CONTENTS

Bed Assembly Page 11

Brake Assembly Page 19

Carriage Apron Assembly. Page 23

Carriage and Cross Slide Assembly. Page 13

Carriage Half Nut Assembly Page 39

Clutch Assembly. Page 25

Collet Closer Assembly Page 9

Coolant Facilities Page 53

Contour Tracing Assembly
 View I Page 63
 View II. Page 65

Electric Control Panel Page 37

Four Station Turret. Page 57

Gear Assembly. Page 21

Gear Box Units
 Change Gear Bucket Page 43
 Cluster Shaft and Change Shaft Page 49
 Clutch Shaft and Intermediate Shaft. Page 47
 Gear Box Page 41
 Gear Box Idler Shaft and Reverse Shaft Page 45
 Gear Box Tumbler and Shaft Page 51

Headstock Assembly Page 5

Micrometer Stop. Page 59

Pedestal Base Assembly Page 17

Power Feed Control Box Page 29

Power Feed Assembly. Page 27

Radius Turning Attachment. Page 55

Rear Tool Holder Slide Assembly. Page 67

Square Turret Assembly Page 69

Tailstock Assembly Page 7

Taper Attachment Page 61

Tool Post Assembly Page 15

Variable Speed Actuator Assembly Page 31

Variable Speed Control Box Assembly. Page 35

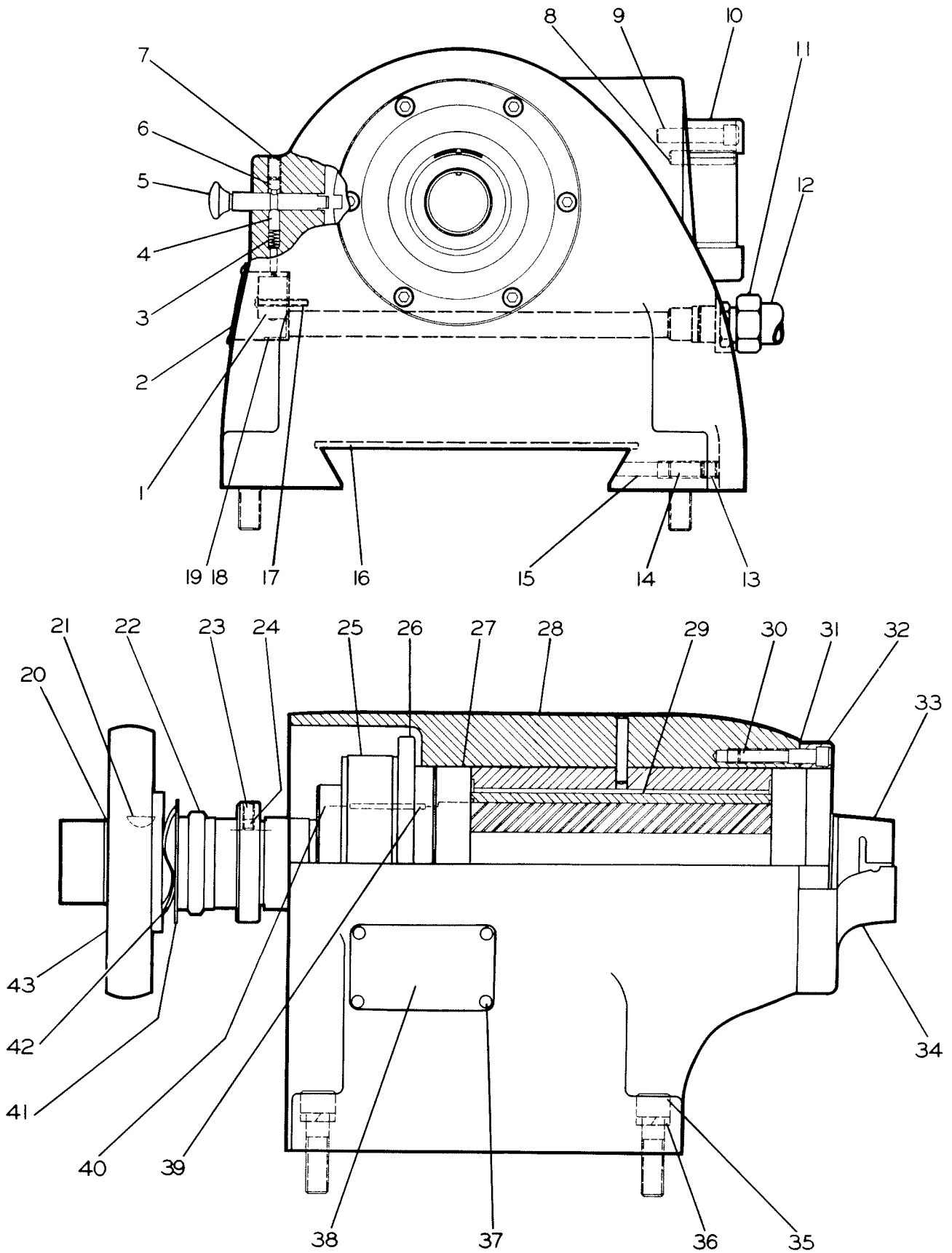
Variable Speed Pulley Assembly Page 33

HEADSTOCK ASSEMBLY PARTS LIST

KEY	PART NUMBER	PCS.	PART NAME	KEY	PART NUMBER	PCS.	PART NAME
1	IH-10224	1	Micro Switch	22	HLD-6284	1	Spindle Gear
2	IH-11033	1	Name Plate Seal	23	7L-9862-10	1	Spring Pin
3	79-8351	1	Spring	24	HL-4160	2	Cork
4	IH-1424	1	Plunger	25	VSG-9625	1	Head Belt
5	IH-279	1	Spindle Lock Pin	26	IH-4053	1	Spindle Pulley
6	R-6989	1	Screw	27	HC-265	1pr.	Bearing
7	IH-3558	1	Lock Screw	28	IH-263	1	Frame Assembly
8	FB-6923	2	Dowel	29	IH-4057	1	Spacer
9	100824	3	Screw	30	100828	6	Screw
10	VD-479	1	Collet Closer Bracket	31	IH-6424	1	Gasket
11	50-10225	1	Conduit Connector	32	IH-275	1	Front Cap
12	50-10229	1	Conduit	33	IH-282	1	Spindle Assembly
13	551005	1	Lock Plug Screw	34	CW-6407	1	Splash Guard
14	551012	1	Screw	35	101328	4	Screw
15	DVA-8924	1	Locking Plug	36	HL-10053	4	Lockwasher
16	IH-9923	1	Seal	37	300106	4	Screw
17	350114	2	Screw	38	IH-256	1	Name Plate
18	IH-9938	1	Insulating Sleeve	39	T10-8979	1	Pulley Key
19	IH-11063	1	Micro Switch Insulator	40	HCA-4068	1	Clamp Nut
20	181-8231-8	1	Snap Ring	41	HLA-9980	1	Spacer
21	IH-1465-1	1	Handwheel Key	42	7-9852	1	Wave Washer
				43	7A-316	1	Handwheel

WHEN ORDERING PARTS, GIVE KEY NUMBER, PART NUMBER AND PART NAME. BE SURE TO GIVE COMPLETE SERIAL NUMBER WHICH IS STAMPED ON TAILSTOCK END OF THE BED.

HEADSTOCK ASSEMBLY PARTS LIST FOR MODEL HLV-H MACHINES



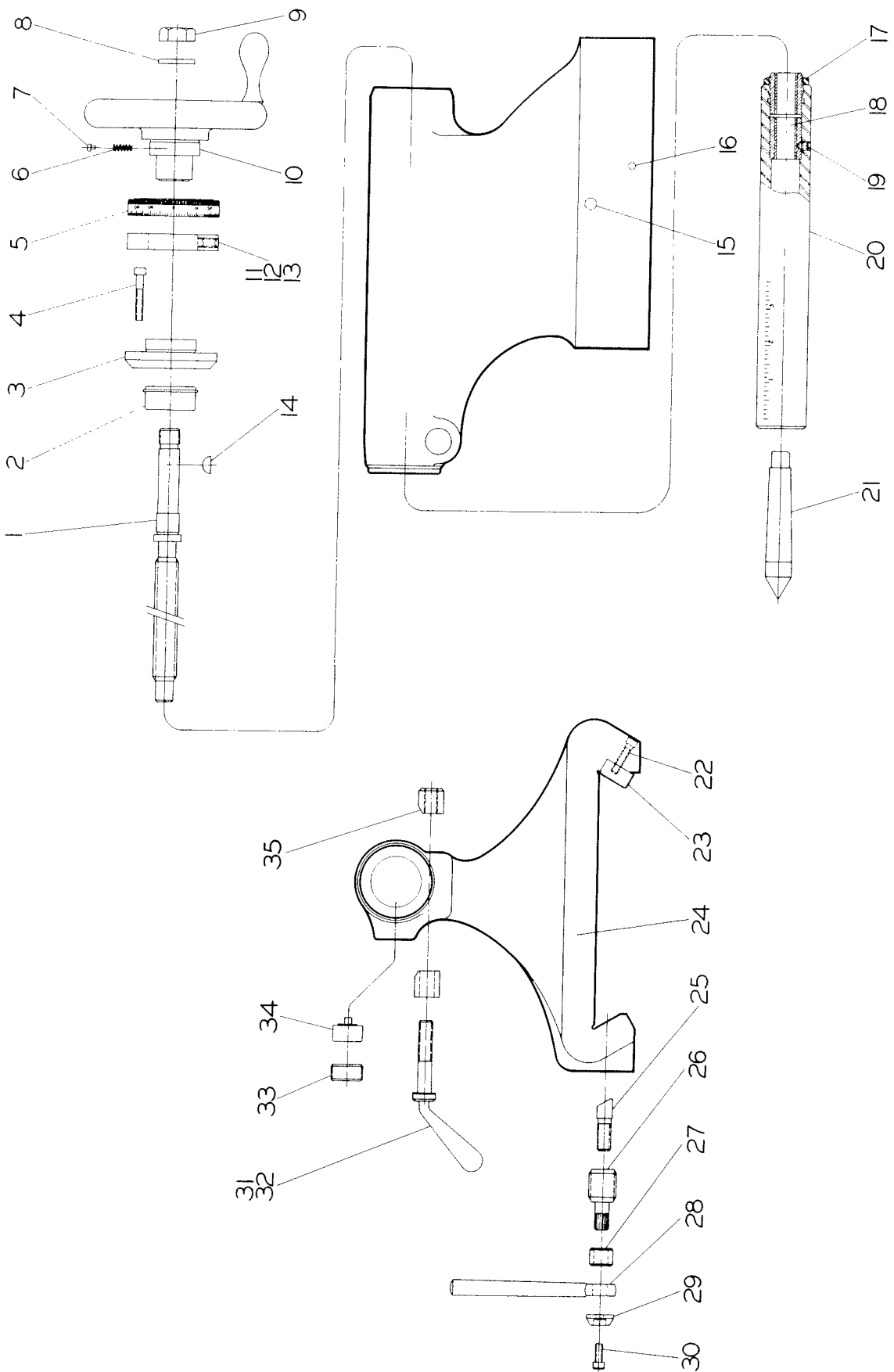
HARDINGE BROTHERS, INC., ELMIRA, NEW YORK, U.S.A.

TAILSTOCK ASSEMBLY PARTS LIST

KEY	PART NUMBER	PCS.	PART NAME	KEY	PART NUMBER	PCS.	PART NAME	KEY	PART NUMBER	PCS.	PART NAME
1	IH-403	1	Feed Screw	12	550506	1	Screw	24	IH-401	1	Tailstock Body
2	CP-4140	1	Bearing	13	IH-407	1	Zero Ring	25	6-9094	1	Locking Plug
3	IH-11005	1	End Cap	14	3-1759	1	Woodruff Key	26	HL-8298	1	Clamp Bolt
4	100320	4	Screw	15	CD-4638	1	Handle Stop Pin	27	HL-10028	1	Spacer
5	HLE-10335-1	1	Dial & Support Assembly	16	CP-4630	1	Stop Pin	28	HL-418	1	Handle
6	HL-8759	1	Spring	17	VD-1950	1	Lock Nut	29	6-9244	1	Washer
7	R-7859	1	Plug	18	IH-402	1	Feed Screw Nut	30	100308	1	Screw
8	IH-2068	1	Washer	19	590504	1	Screw	31	LH-1552	1	Handle
9	CW-9052	1	Nut	20	IH-405	1	Tailstock Spindle	32	TL-6815	1	Shim
10	IH-410	1	Handwheel Assem.	21	2MA-422	1	Tailstock Center	33	LH-11007	1	Lock Screw
11	6W-9450	1	Plug	22	100314	1	Screw	34	LH-11006	1	Spindle Key
				23	IH-9480	1	Gib	35	IH-1554	1	Binding Nut

WHEN ORDERING PARTS, GIVE KEY NUMBER, PART NUMBER AND PART NAME. BE SURE TO GIVE COMPLETE SERIAL NUMBER WHICH IS STAMPED ON TAILSTOCK END OF THE BED.

TAILSTOCK ASSEMBLY PARTS LIST FOR MODEL HLV-H MACHINES



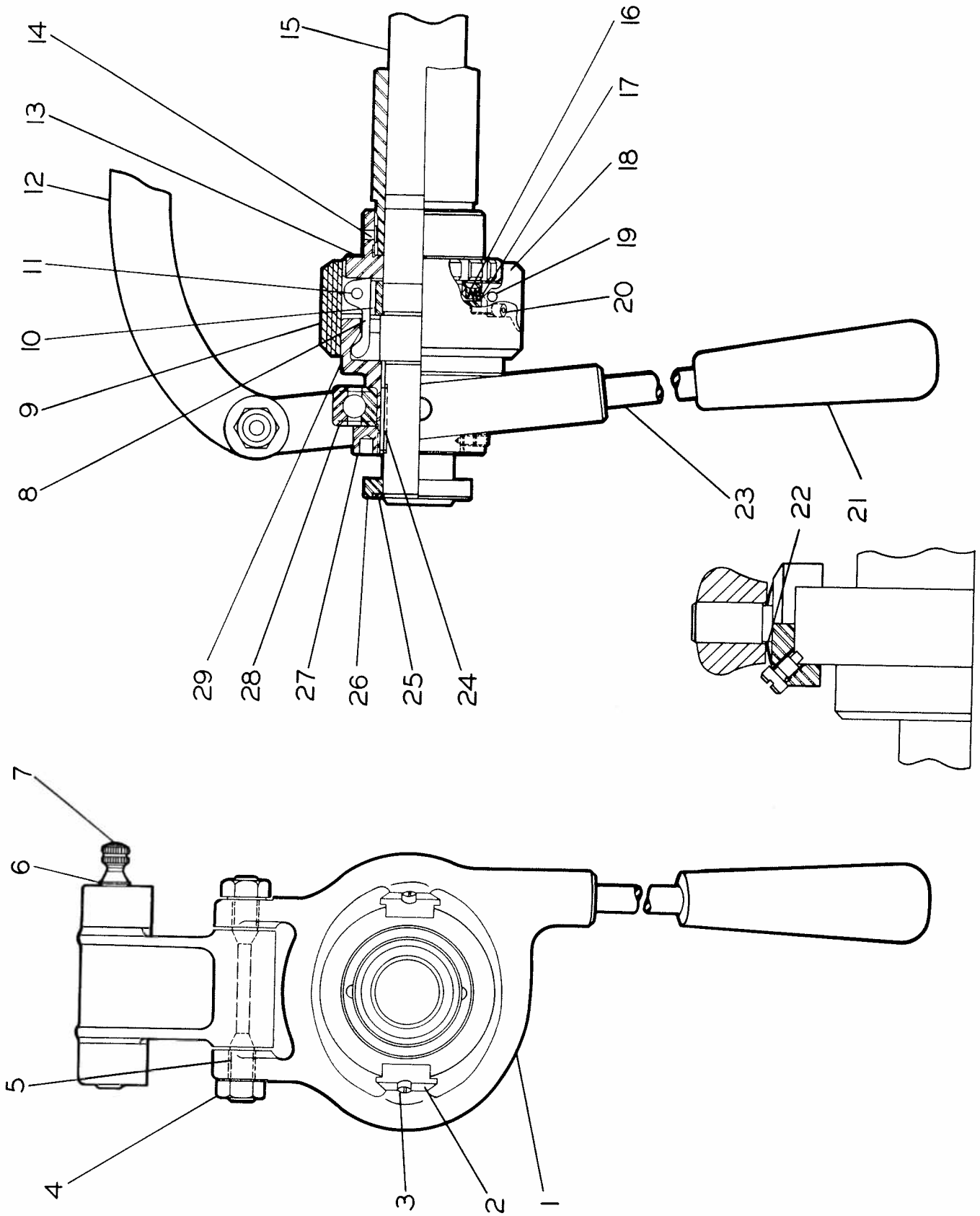
HARDINGE BROTHERS, INC., ELMIRA, NEW YORK, U.S.A.

COLLET CLOSER ASSEMBLY PARTS LIST

KEY	PART NUMBER	PCS.	PART NAME	KEY	PART NUMBER	PCS.	PART NAME	KEY	PART NUMBER	PCS.	PART NAME
1	RE-501	1	Lever Yoke	11	5-2024	3	Pin	19	37-488	1	Pin
2	RA-8230	2	Swivel Block	12	LH-503	1	Connecting Link	20	100308	4	Screw
3	R-8232	2	Screw	13	HIA-491	1	Adjusting Nut	21	79A-8672	1	Lever Handle
4	5-1466	2	Nut				(With Key)	22	LH-10597	1	Spring
5	6-9034	2	Pivot Screw	14	6-493	1	Key	23	CWB-8168	1	Handle
6	50-8231-2	1	Retaining Ring	15	LH-480	1	Spindle	24	TL-6117	1	Key
7	VD-8019	1	Link Pin	16	37-490	1	Spring	25	131-8231-8	1	Retaining Ring
8	37A-485	3	Clutch Finger	17	37-489	1	Spring Cap	26	57A-481	1	Stop Ring
9	RG-494	1	Shell Guard	18	37B-487	1	Adjusting Finger	27	R-8222	1	Nut
10	57C-484	1	Bracket					28	R-8233	1	Bearing
								29	57A-496	1	Clutch Cone

WHEN ORDERING PARTS, GIVE KEY NUMBER, PART NUMBER AND PART NAME. BE SURE TO GIVE COMPLETE SERIAL NUMBER WHICH IS STAMPED ON TAILSTOCK END OF THE BED.

COLLET CLOSER ASSEMBLY PARTS LIST FOR MODEL HLV-H MACHINES



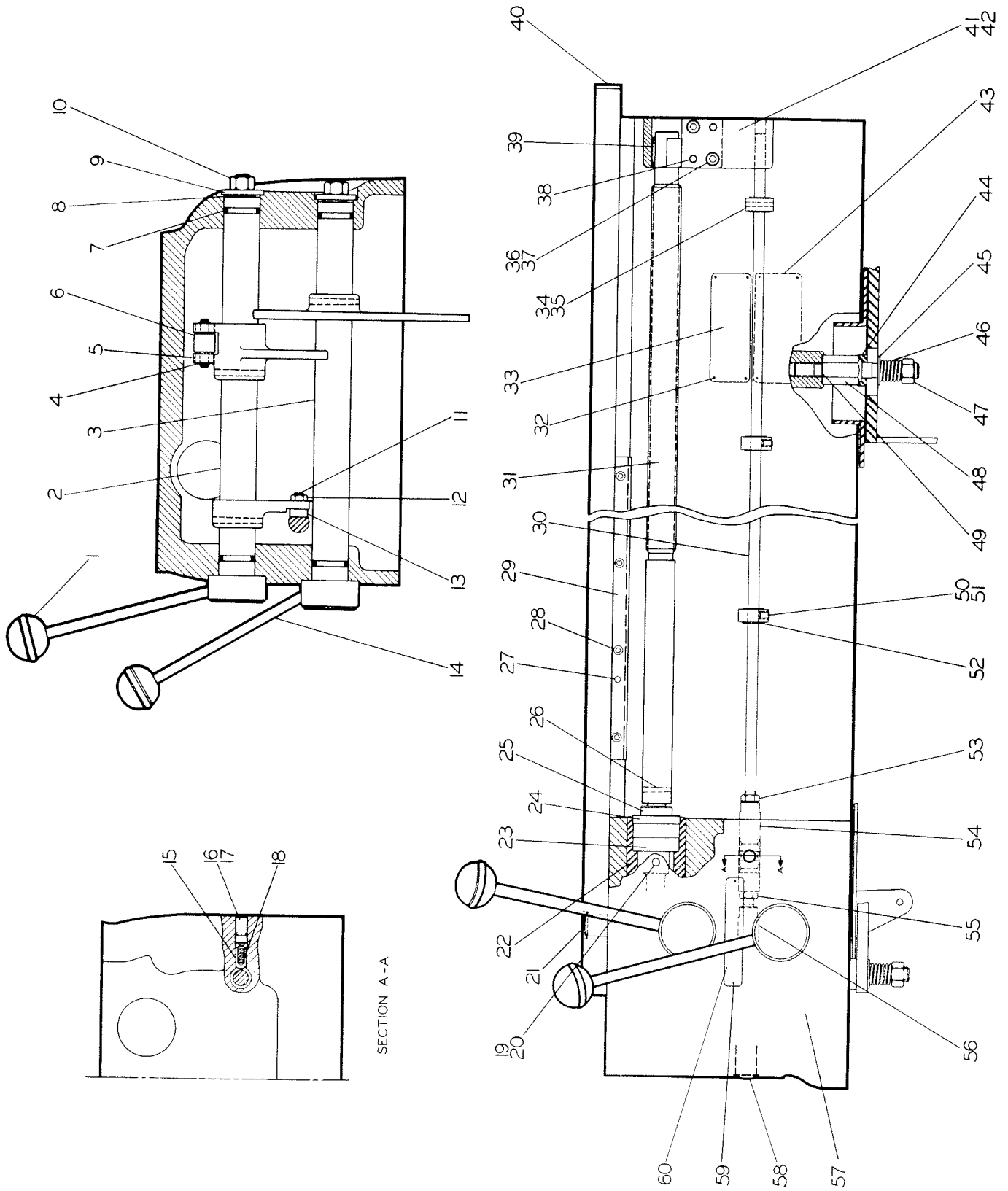
HARDINGE BROTHERS, INC., ELMIRA, NEW YORK, U.S.A.

BED ASSEMBLY PARTS LIST

KEY	PART NUMBER	PCS.	PART NAME	KEY	PART NUMBER	PCS.	PART NAME	KEY	PART NUMBER	PCS.	PART NAME
1	MD-3285	2	Knob	21	CP-9360-2	1	Plug	41	LH-9993	1	Lead Screw
2	LH-3721	1	Speed Lever Assem	22	HL-9544	1	Bushing	42	LH-9995	1	Bracket
3	LH-3720	1	Reverse Lever Assembly	23	HL-9545	1pr	Bearing	43	FB-256	3	Shim
4	31-8231-2	2	Snap Ring	24	HL-9543	1	Nut	44	2-8266	3	Name Plate
5	LH-6945	2	Block	25	HL-6329	1	Nut	45	5P-6433	3	Washer
6	LH-11052	1	Pivot	26	HL-10406	2	Taper Pin	46	TA-6553	3	Washer
7	19-9431	4	"O" Ring	27	HL-9991	8	Dowel	47	SN-4626	3	Spring
8	DV-10597	2	Spring Washer	28	100312	1	Screw	48	S6A-8265	3	Nut
9	OL-7621	2	Washer	29	LH-6634	1	Rack	49	9896	3	Stud
10	SN-4626	2	Nut	30	LH-6324	1	Stop Rod	50	37-292	2	Spacer
11	HL-6944	2	Screw	31	LH-6636	1	Lead Screw	51	550505	2	Brass Plug
12	U-4141	1	Nut	32	R-8044	8	Escutcheon Pin	52	TL-6344	2	Screw
13	TL-6945	1	Lever Arm	33	HL-256	1	Name Plate	53	U-4141	2	Collar
14	RAA-6239	1	Handle	34	TL-6326	1	Collar	54	LH-6287-R	1	Nut
15	TA-6357	2	Plunger	35	5-2338	1	Taper Pin	55	R-331	1	Plunger
16	TP-3792	1	Screw	36	100832	2	Screw	56	LH-6287-L	1	Nut
17	551210	1	Lock Screw	37	HL-10042	2	Lockwasher	57	LH-262	1	Plunger
18	TL-4923	1	Spring	38	CD-4636	2	Dowel	58	TL-6977	1	Bed
19	550308	1	Screw	39	HL-9994	1	Bearing	59	R-8044	2	Plug
20	LH-8627	1	Pin	40	LH-10995	1	Bumper	60	FB-1669	1	Escutcheon Pin
											Low-Stop-High Plate

WHEN ORDERING PARTS, GIVE KEY NUMBER, PART NUMBER AND PART NAME. BE SURE TO GIVE COMPLETE SERIAL NUMBER WHICH IS STAMPED ON TAILSTOCK END OF THE BED.

BED ASSEMBLY PARTS LIST FOR MODEL HLV-H MACHINES



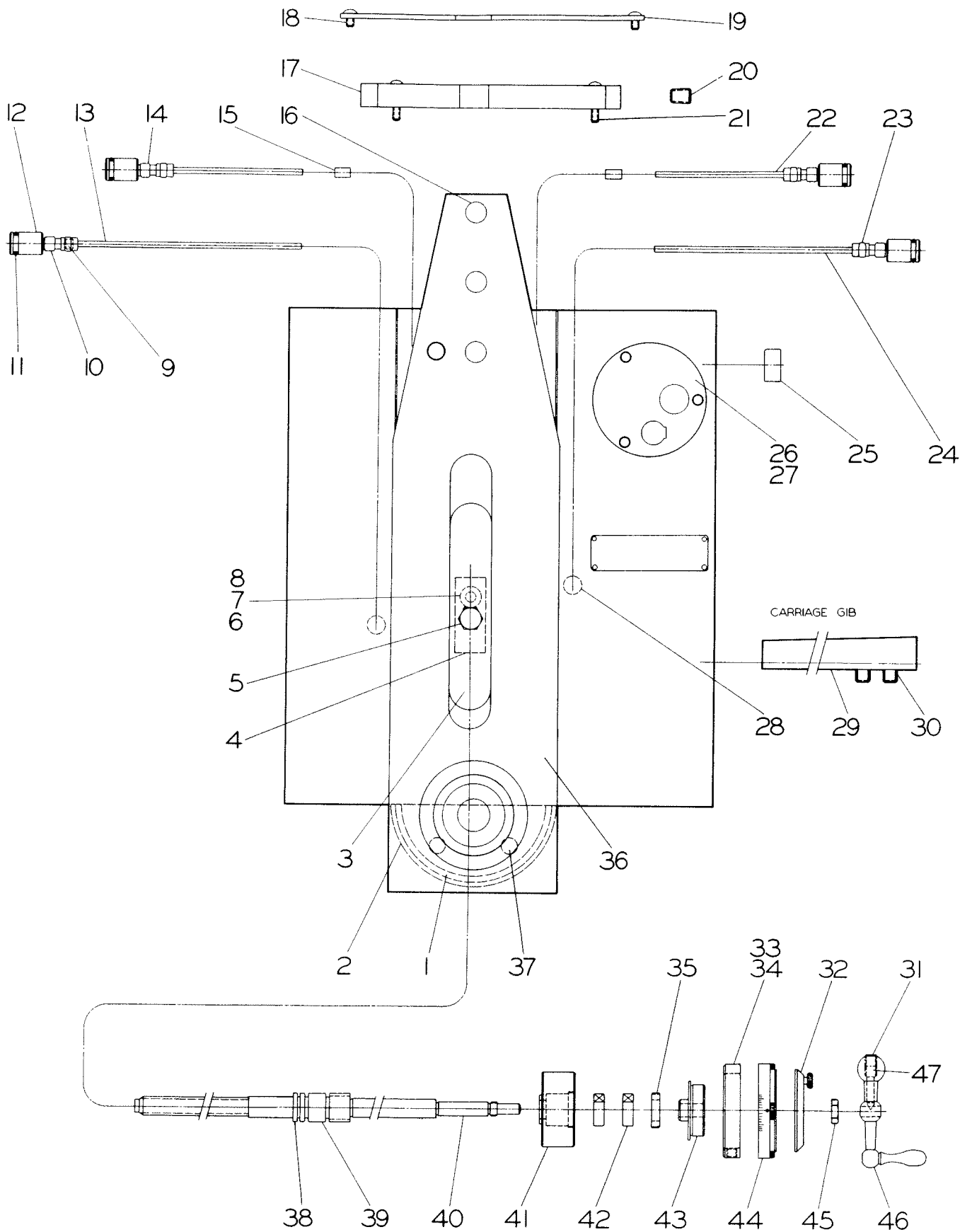
HARDINGE BROTHERS, INC., ELMIRA, NEW YORK, U.S.A.

CARRIAGE AND CROSS SLIDE ASSEMBLY PARTS LIST

KEY	PART NUMBER	PCS.	PART NAME	KEY	PART NUMBER	PCS.	PART NAME
1	LH-11028	1	Seal	26	HL-9987	1	Oiler
2	LH-11027	1	Cover	27	HL-6424	1	Gasket
3	LH-6303	1	Cover	28	CH-11031	2	Bushing
4	LH-328	1	Cross Feed Nut	29	LH-6159	1	Gib
5	150910	1	Screw	30	HM-6160	2	Gib Screw
6	LH-11011	1	Cross Slide Screw	31	550705	1	Screw
7	100306	1	Screw	32	HL-10246	1	Washer & Screw Assembly
8	LH-11012	1	Cross Slide Plug	33	LH-407-1	1	Zero Ring
9	LH-11060	4	Compression Sleeve	34	550504	1	Screw
10	LH-10646-1	2	Meter Unit	35	LH-3950	1	Nut
11	OFA-9431	4	"O" Ring	36	LH-368	1	Cross Slide
12	LH-11025	4	Connector	37	300608	2	Screw
13	CH-11029-2	1	Tubing	38	HL-10434	2	Seal
14	LH-10646	2	Meter Unit	39	HL-10433	1	Bearing
15	LH-11031	2	Bushing	40	LH-326	1	Cross Feed Screw
16	HL-10331	3	Dot Plug	41	LH-6991	1	End Cap
17	LH-11026	1	Junction Block	42	LH-7909	lpr.	Bearing
18	300306	4	Screw	43	LH-334	1	Bushing
19	LH-11018	1	Cover	44	HLE-10335-2	1	Dial & Support Assembly
20	5-1467	1	Pipe Plug	45	R-331	1	Nut
21	300316	4	Screw	46	TA-335	1	Crank
22	LH-11029-1	2	Tubing	47	TA-338	1	Lock Screw
23	LH-11030	4	Compression Nut				
24	LHA-11029-2	1	Tubing				
25	OW-10109	2	Oil Window				

WHEN ORDERING PARTS, GIVE KEY NUMBER, PART NUMBER AND PART NAME. BE SURE TO GIVE COMPLETE SERIAL NUMBER WHICH IS STAMPED ON TAILSTOCK END OF THE BED.

CARRIAGE AND CROSS SLIDE ASSEMBLY FOR MODEL HVL-H MACHINES



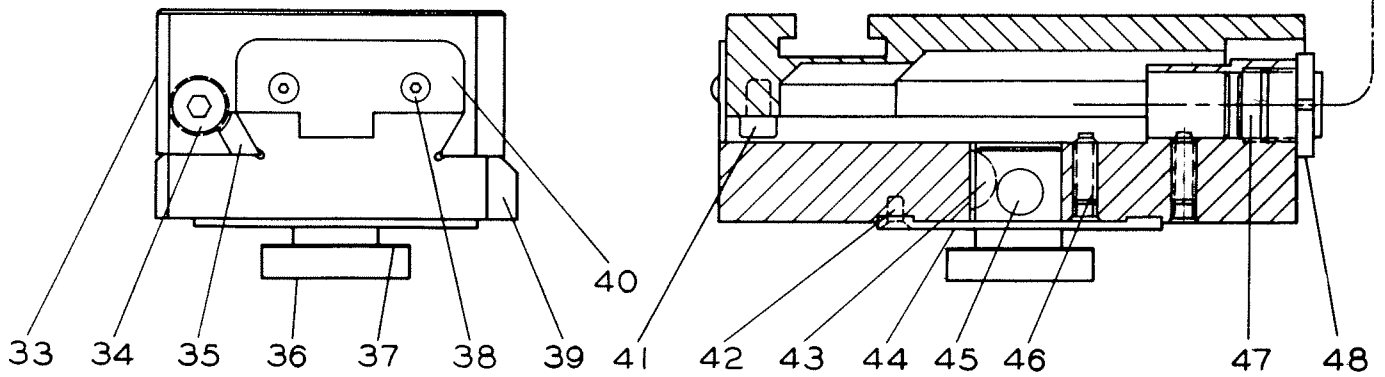
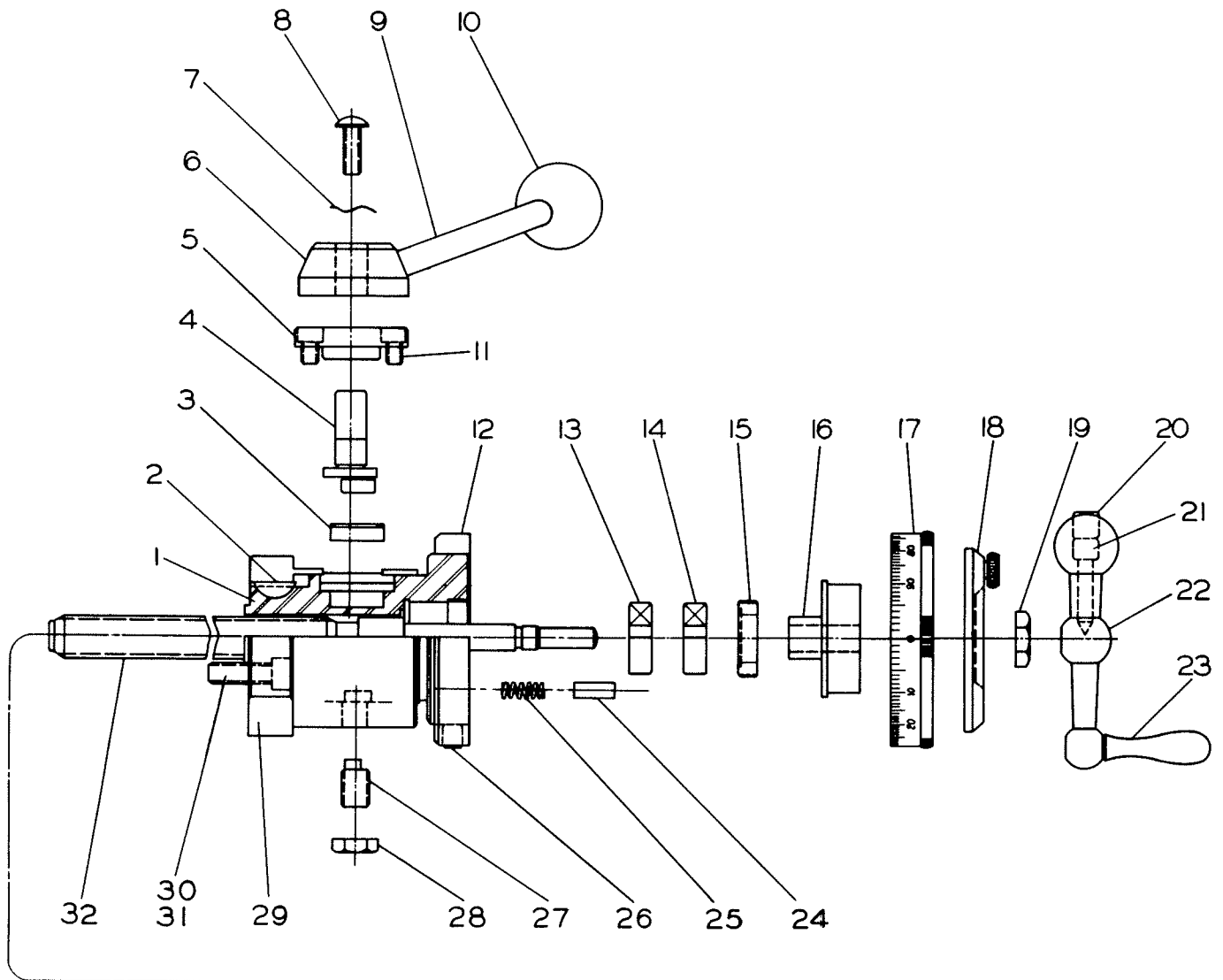
HARDINGE BROTHERS, INC., ELMIRA, NEW YORK, U.S.A.

TOOL POST SLIDE ASSEMBLY PARTS LIST

KEY	PART NUMBER	PCS.	PART NAME	KEY	PART NUMBER	PCS.	PART NAME
1	LHA-9787	1	Bearing	24	LH-7859	2	Plug
2	47-1514	1	Key	25	LH-490	2	Spring
3	LH-11009	1	Block	26	570504	1	Screw
4	LH-10647	1	Eccentric Shaft	27	LH-4234	1	Stop Screw
5	LH-11008	1	Eccentric Support	28	TL-414	1	Nut
6	LH-6237	1	Hub	29	LHA-6630	1	End Cap
7	HL-9811	1	Wave Washer	30	100512	4	Screw
8	2V-2302	1	Screw	31	HL-9991	2	Dowel
9	LH-6158	1	Handle	32	LH-325	1	Feed Screw
10	TL-6126	1	Ball	33	LHA-357	1	Slide
11	100204	2	Screw	34	HM-6160	2	Gib Screw
12	LH-407-1	1	Zero Ring	35	LH-358	1	Gib
13	LH-7909	1	Bearing	36	HLA-366	1	Draw Bolt
14	LH-7909	1	Bearing	37	HL-9847	1	Shim Spacer
15	LH-3950	1	Nut	38	300206	2	Screw
16	LH-334	1	Bushing	39	LHA-362	1	Index Slide
17	HLE-10335-1A	1	Dial & Support Assembly	40	LHA-10423	1	Wiper
18	HL-10246	1	Washer & Lock Screw	41	100506	1	Screw
19	R-331	1	Nut	42	450105	2	Screw
20	550705	1	Screw	43	5-1465	1	Key
21	TA-338	1	Lock Screw	44	6A-8648	1	Pilot Ring
22	TA-336	1	Crank	45	TL-363	1	Eccentric
23	TA-337	1	Handle	46	N-590512	2	Stop Screw
				47	DSA-328	1	Nut
				48	DSA-1950	1	Lock Nut

WHEN ORDERING PARTS, GIVE KEY NUMBER, PART NUMBER AND PART NAME. BE SURE TO GIVE COMPLETE SERIAL NUMBER WHICH IS STAMPED ON TAILSTOCK END OF THE BED

TOOL POST PARTS LIST FOR MODEL HLV-H MACHINES



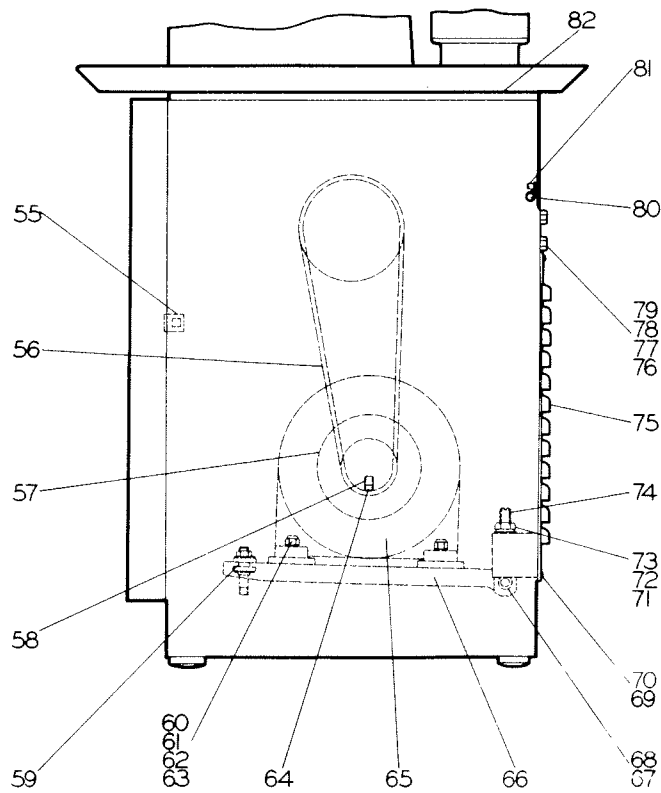
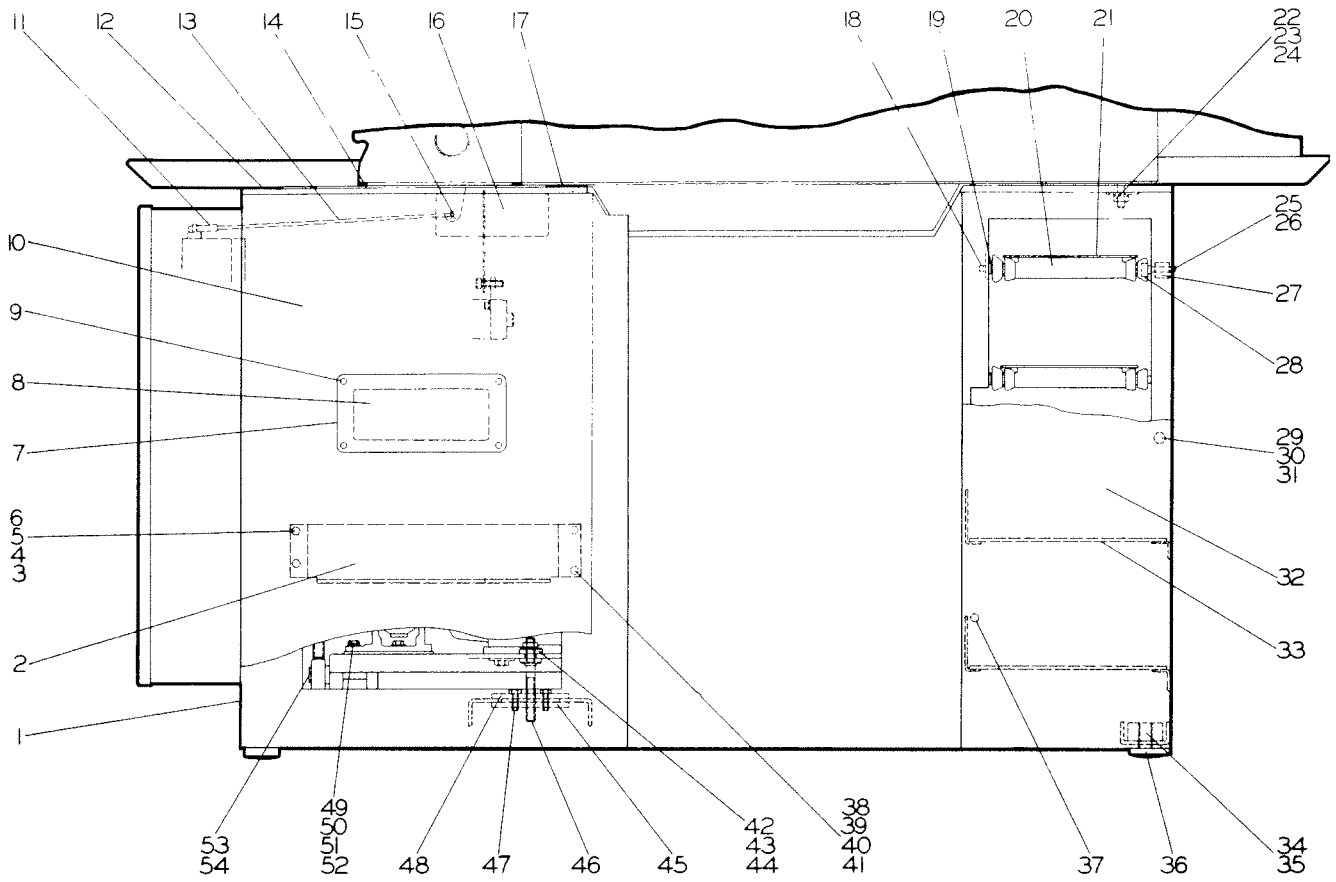
HARDINGE BROTHERS, INC., ELMIRA, NEW YORK, U.S.A.

PEDESTAL BASE ASSEMBLY PARTS LIST

KEY	PART NUMBER	PCS.	PART NAME	KEY	PART NUMBER	PCS.	PART NAME
1	LHA-1990	1	Base	41	5P-2843	2	Nut
2	LHA-10336	1	Support	42	HL-9997	2	Insulator Bushing
3	B-150612	2	Screw	43	CM-2885	2	Washer
4	49A-7984	2	Washer	44	5-1466	4	Nut
5	CM-2845	2	Lockwasher	45	HLA-9999	1	Support Plate
6	5P-2843	2	Nut	46	LH-10000	1	Support Screw
7	FPB-4698	1	Name Plate	47	150716	2	Screw
8	LH-11037	1	Belt Replacement Plate	48	HLA-9998	1	Support Plate
9	650104	1	Drive Pin	49	150824	2	Screw
10	VDA-3780	1	Motor Door	50	MD-3227	2	Lockwasher
11	WE-2850	1	Pull Rod Link	51	BK-10438	2	Washer
12	LHB-4910	2	Cork Pad	52	DV-10680	2	Nut
13	LH-3288	1	Pull Rod	53	HCB-9663	1	Stud
14	LH-10565-1	1	Bed Seal	54	VS-9672	1	Bushing
15	UE-4920	1	Cotter Pin	55	R-7980	2	Door Catch
16	HPC-9858	1	Brake Plate	56	VSG-9624	1	Motor Belt
17	LH-4911-2	1	Cork Pad	57	VSA-3177	1	Motor Pulley
18	100410	2	Screw	58	550605	4	Screw
19	5P-6431	24	Washer	59	HL-10006	1	Insulator Bushing
20	6-8780	1	Collet Board Assembly	60	151036	4	Screw
21	6A-2172	1	Collet Board	61	TP-6836	4	Nut
22	TL-4757	6	Washer	62	MD-6826	4	Washer
23	MD-3591	6	Lockwasher	63	WA-9191	4	Washer
24	B7-1502	6	Nut	64	SS-10032	4	Lock Screw
25	300424	4	Screw	65	CMB-2249	1	Motor
26	BMD-2883	4	Nut	66	HCD-1991	1	Motor Plate
27	HLA-10073	4	Spacer	67	HCB-9663	1	Stud
28	6-8747	8	Nut	68	VS-9672	1	Rubber Bushing
29	150610	10	Screw	69	300608	4	Screw
30	CM-2845	10	Lockwasher	70	HL-505	4	Washer
31	SP-2843	10	Nut	71	UA-4034	4	Nut
32	VD-8297	1	Collet Door	72	U-3985	2	Lockwasher
33	LH-3788	2	Shelf	73	3-3606	4	Washer
34	551012	1	Screw	74	DV-1995	2	Hinge Eye Bolt
35	TL-6466	1	Brass Plug	75	VD-3782	1	Rear Cover
36	6W-9454	1	Adjustable Foot	76	B-151016	4	Screw
37	U-6916	5	Door Bumper	77	MD-6826	4	Washer
38	300612	2	Screw	78	MD-3591	4	Lockwasher
39	49A-7984	2	Washer	79	3-1425	4	Nut
40	CM-2845	2	Lockwasher	80	DVB-9623	1	Clamp
				81	100306	1	Screw
				82	LH-4911-1	4	Cork Pad

WHEN ORDERING PARTS, GIVE KEY NUMBER, PART NUMBER AND PART NAME. BE SURE TO GIVE COMPLETE SERIAL NUMBER WHICH IS STAMPED ON TAILSTOCK END OF THE BED.

PEDESTAL BASE ASSEMBLY PARTS LIST FOR MODEL HLV-H MACHINES



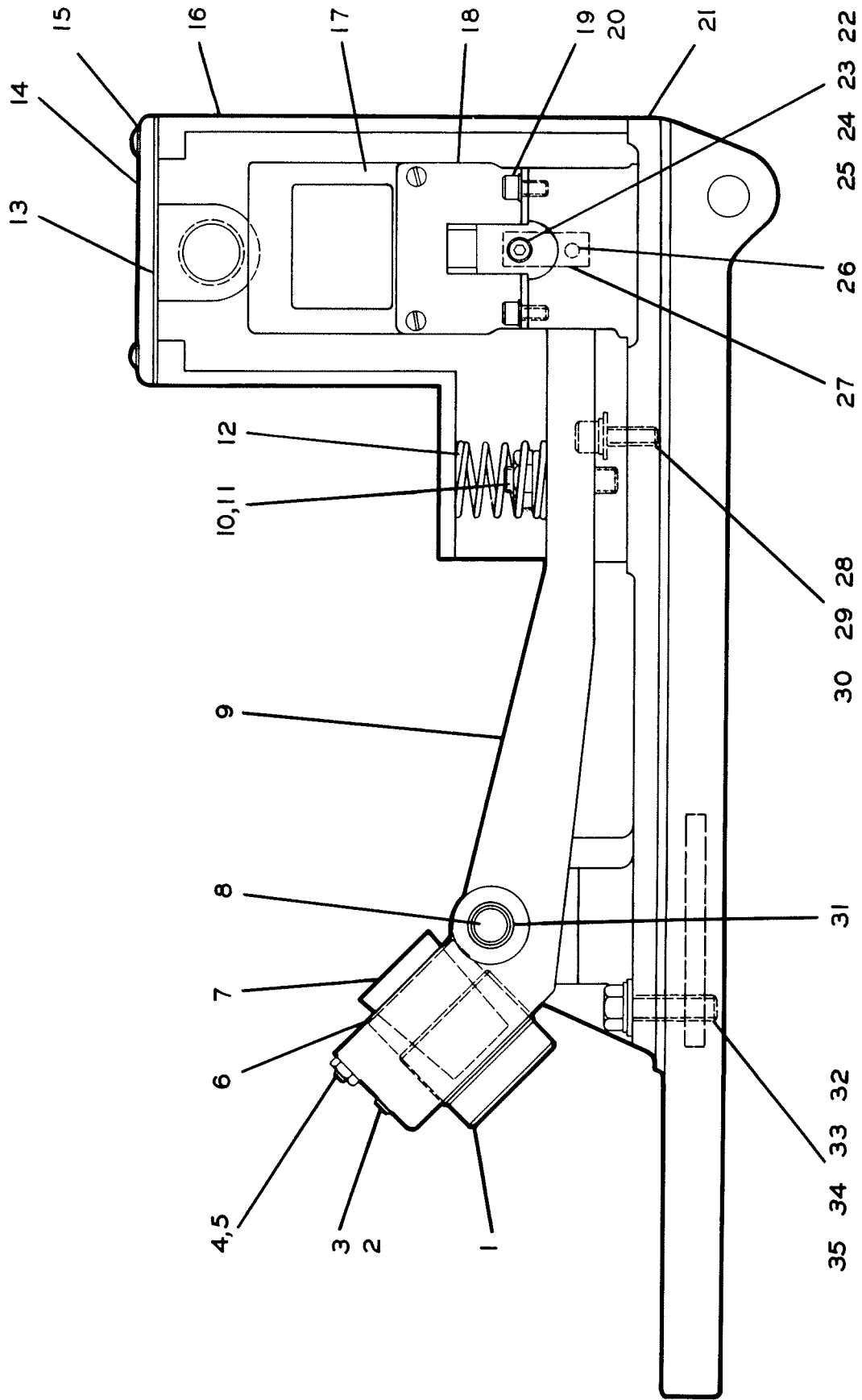
HARDINGE BROTHERS, INC., ELMIRA, NEW YORK, U.S.A.

BRAKE ASSEMBLY PARTS LIST

KEY	PART NUMBER	PCS.	PART NAME	KEY	PART NUMBER	PCS.	PART NAME	KEY	PART NUMBER	PCS.	PART NAME
1	BKA-9656	1	Bushing Support	13	DVA-10116	1	Gasket	25	U-3942	1	Nut
2	550608	1	Screw	14	DVA-10115	1	Cover	26	187-1000-	1	Pin
3	NGW-9450	1	Nylon Plug	15	300410	2	Screw	27	9862	1	Brake Link
4	HC-10259	1	Key	16	DVD-9820	1	Brake Cover	28	SBA-9654	2	Screw
5	BMD-2883	1	Nut	17	8831	1	Solenoid	29	100610	2	Lockwasher
6	HC-10258	1	Adjusting Bushing	18	GEB-10218	2	Solenoid Support	30	CM-2845	2	Washer
7	FBC-4160	1	Cork	19	100308	4	Screw	31	9-7910	2	Retaining Ring
8	DV-9655	1	Pin	20	CM-2840	4	Lockwasher	32	X50-8231	2	Screw
9	DVA-9653	1	Brake Pin	21	DVA-9652	1	Mounting Plate	33	150824	2	Lockwasher
10	551024	1	Screw	22	BKA-10493	1	Screw	34	MD-3227	2	Washer
11	3-1425	1	Nut	23	GEA-10111	2	Spacer	35	BK-10438	2	Nut
12	HC-8872	1	Spring	24	BMD-3623	11	Washer		DV-10680	2	

WHEN ORDERING PARTS, GIVE KEY NUMBER, PART NUMBER AND PART NAME. BE SURE TO GIVE COMPLETE SERIAL NUMBER WHICH IS STAMPED ON TAILSTOCK END OF THE BED.

BRAKE ASSEMBLY PARTS LIST FOR MODEL HLV-H MACHINES



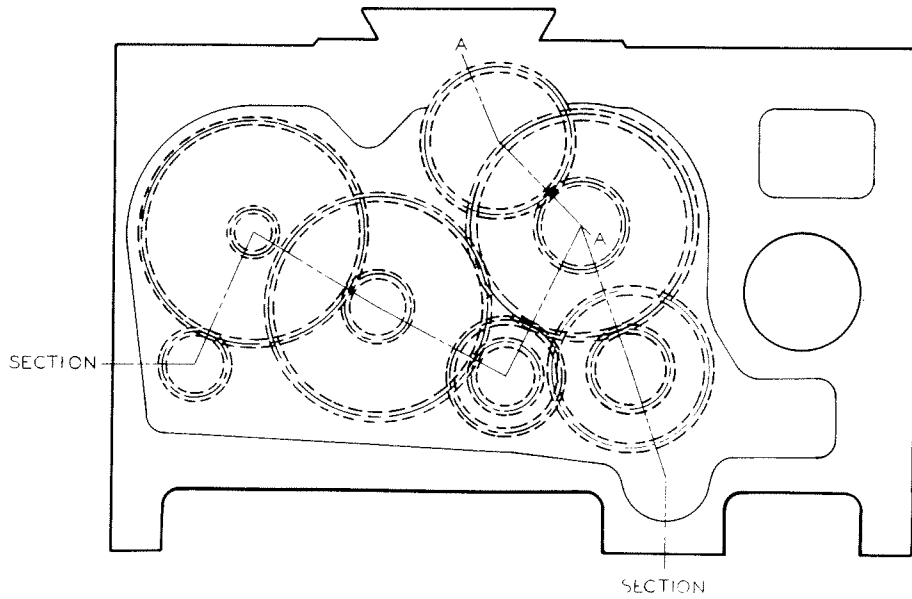
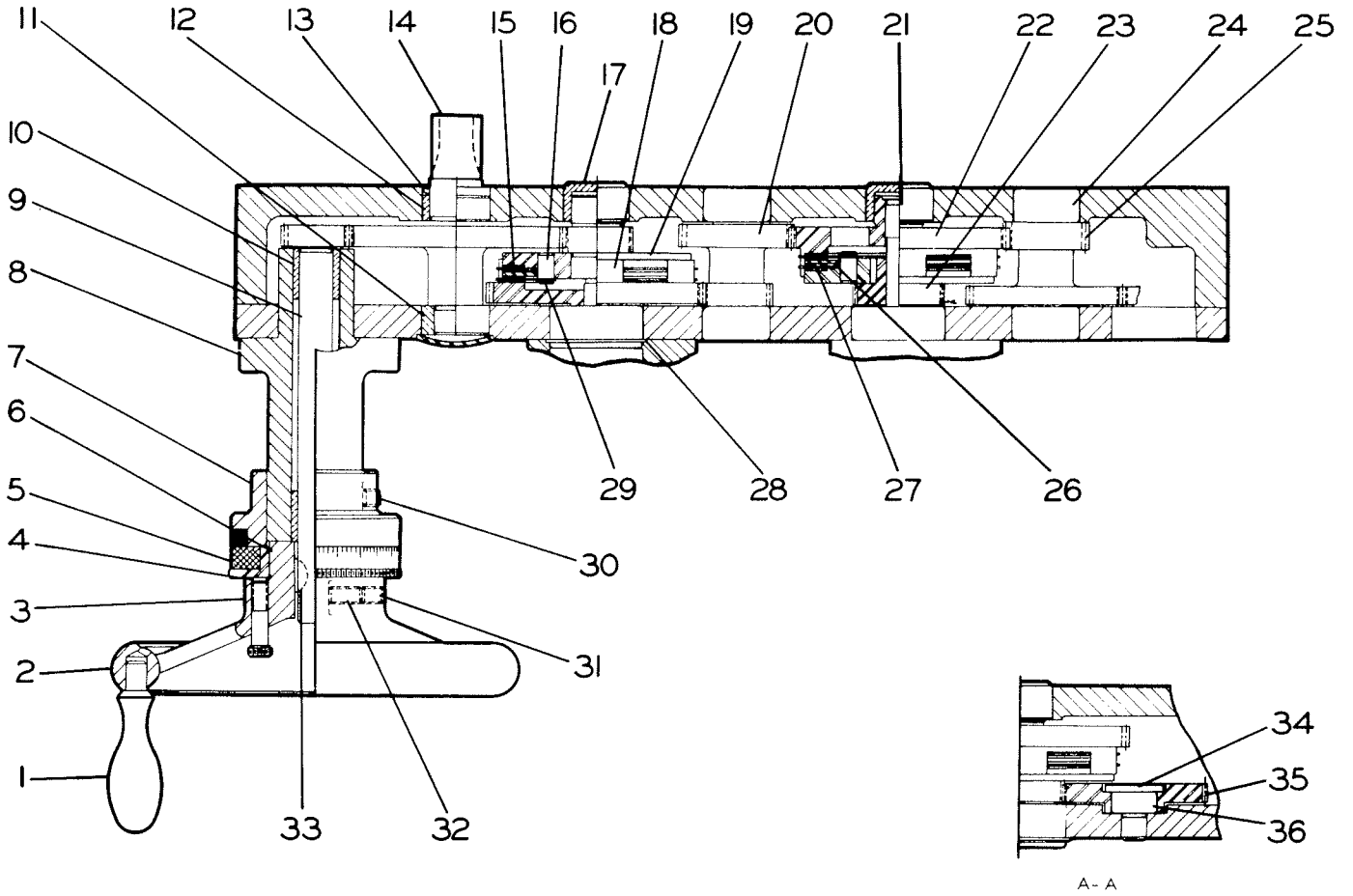
HARDINGE BROTHERS, INC., ELMIRA, NEW YORK, U.S.A.

APRON AND GEAR ASSEMBLY PARTS LIST

KEY	PART NUMBER	PCS.	PART NAME	KEY	PART NUMBER	PCS.	PART NAME
1	TL-6831	1	Handwheel Handle	19	LH-6723	1	Clutch Disc Assem.
2	HLC-6195	1	Handwheel	20	LH-11020	1	Intermediate Gear
3	HL-10249	1	Dial Lock Screw	21	CH-4144-1	1	Oilite Bearing
4	U-10245	1	Plug	22	LH-4746	1	Clutch Shaft Assem
5	HLE-10335-3	1	Dial & Support Assembly	23	LH-11024	1	Cross Feed & Pinion Gear Assembly
6	137-8231-8	1	Snap Ring	24	CP-4145-2	4	Needle Bearing
7	LH-11015	1	Sleeve	25	LH-11021		Intermediate P. F. Gear
8	LH-6656	1	Handwheel Bearing	26	HC-11000	2	Bowed Washer
9	LH-6660	1	Shaft	27	LH-10896	2	Disc
10	TMB-3977	2	Oilite Bearing	28	CP-4140	2	Clutch Bearing
11	LH-4144-1	1	Gear Bearing	29	25-8231-2	6	Snap Ring
12	LH-6700	1	Gear Bearing	30	550504	1	Screw
13	HL-10429	1	Seal	31	SS-10031	1	Lock Screw
14	LH-6655	1	Rack Gear	32	550608	1	Screw
15	LH-10898	4	Cork & Plate Assem	33	5-1465	1	Woodruff Key
16	LH-6708	6	Clutch Pin	34	LHA-10494	1	Gear Stud
17	CH-4144-1	1	Oilite Bearing	35	LHA-10495	1	Idler Gear
18	LH-10899	1	Longitudinal Clutch Gear	36	LH-4144-2	1	Needle Bearing

WHEN ORDERING PARTS, GIVE KEY NUMBER, PART NUMBER AND PART NAME. BE SURE TO GIVE COMPLETE SERIAL NUMBER WHICH IS STAMPED ON TAILSTOCK END OF THE BED.

GEAR ASSEMBLY PARTS LIST FOR MODEL HLV-H MACHINES



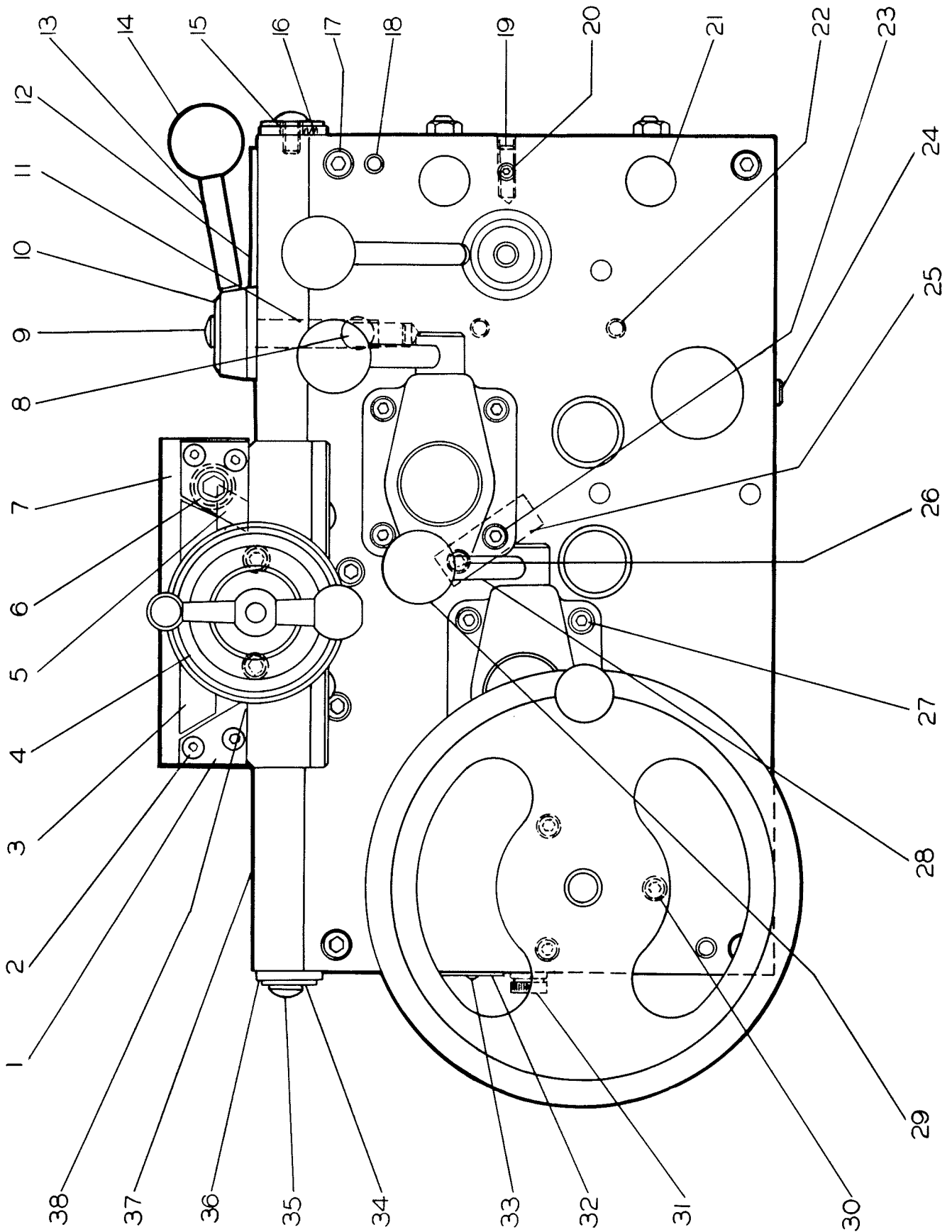
HARDINGE BROTHERS, INC., ELMIRA, NEW YORK, U.S.A.

CARRIAGE APRON ASSEMBLY PARTS LIST

KEY	PART NUMBER	PCS.	PART NAME	KEY	PART NUMBER	PCS.	PART NAME	KEY	PART NUMBER	PCS.	PART NAME
1	LH-8050-1	1	Left Wiper	13	TL-6158	1	Handle	26	100308	1	Screw
2	LH-10465	6	Wiper Screw	14	TL-6126	1	Ball Handle	27	100314	7	Clutch Body Screw
3	LH-8050-2	1	Center Wiper	15	HCA-6076	6	Wiper Spacer	28	LH-6158	2	Handle
4	HL-10246	1	Dial Washer & Screw Assembly	16	HCB-10311	6	Wiper Spring	29	TL-6126	2	Ball Handle
5	LH-370	1	Gib	17	100610	7	Cover Screw	30	100310	3	Screw
6	HM-6160	2	Gib Screw	18	R-4853	2	Dowel	31	HL-10277	1	Oil Cup
7	LH-8050-3	1	Right Wiper	19	HL-6687	1	Screw	32	CPA-10011	1	Oil Instruction Plate
8	LH-6684	1	Lock Bolt	20	550316	1	Screw	33	R-8044	8	Escutcheon Pin
9	2V-2302	1	Screw	21	562-10331	2	Dot Plug	34	HL-505	8	Wiper Washer
10	HL-9796	1	Collar	22	R-4853	1	Dowel	35	300608	6	Wiper Screw
11	HLA-6683	1	Eccentric	23	100320	1	Screw	36	HCA-8050	2	Wiper
12	HCC-9931	1	Instruction Plate	24	LH-10998	1	Magnetic Draw Plug	37	LHA-4831	1	Carriage & Cover
				25	LH-9482	1	Interlock Plate	38	100620	2	Screw

WHEN ORDERING PARTS, GIVE KEY NUMBER, PART NUMBER AND PART NAME. BE SURE TO GIVE COMPLETE SERIAL NUMBER WHICH IS STAMPED ON TAILSTOCK END OF THE BED.

CARRIAGE APRON ASSEMBLY PARTS LIST FOR MODEL HLV-H MACHINES



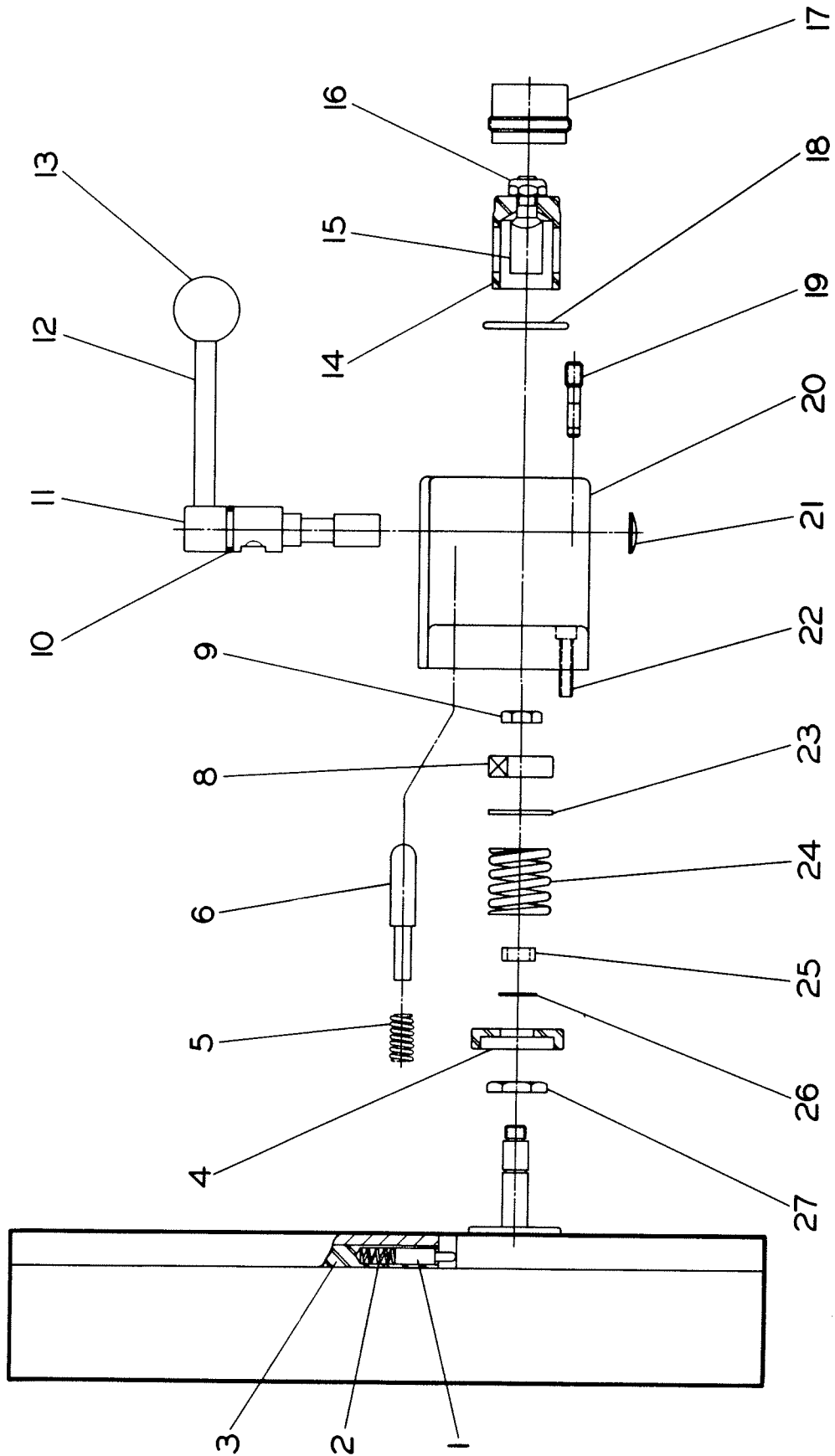
HARDINGE BROTHERS, INC., ELMIRA, NEW YORK, U.S.A.

CLUTCH ASSEMBLY PARTS LIST

KEY	PART NUMBER	PCS.	PART NAME	KEY	PART NUMBER	PCS.	PART NAME	KEY	PART NUMBER	PCS.	PART NAME
1	HL-9483	1	Interlock Plunger	10	OR-0911	2	"O" Ring	19	CP-10674	2	Stop Screw
2	HL-9484	1	Spring	11	LH-6935	2	Cam	20	CPA-6933	2	Clutch Body
3	LH-6675	1	Interlock Bar	12	LH-6158	2	Handle	21	CP-9360-4	2	Plug
4	CP-10661	2	Spring Seat	13	TL-6126	2	Ball Handle	22	100314	7	Screw
5	SPA-7872	2	Spring	14	CP-10662	2	Pressure Sleeve	23	CP-3643	2	Spacer
6	LH-6998-1	1	Plunger (Long)	15	CP-10663	2	Sleeve Adjusting Bolt	24	CPA-6939	2	Spring
7	LH-6998-2	1	Plunger (Short)	16	CP-4623	2	Nut	25	LH-10672	2	Spacer
8	CP-9323	2	Bearing	17	CPA-10664	2	Cover	26	35-8231-2	2	Retaining Ring
9	TL-414	2	Nut	18	OR-1821	2	"O" Ring	27	CP-10673	2	Nut

WHEN ORDERING PARTS, GIVE KEY NUMBER, PART NUMBER AND PART NAME. BE SURE TO GIVE COMPLETE SERIAL NUMBER WHICH IS STAMPED ON TAILSTOCK END OF THE BED.

CLUTCH ASSEMBLY PARTS LIST FOR MODEL HLV-H MACHINES



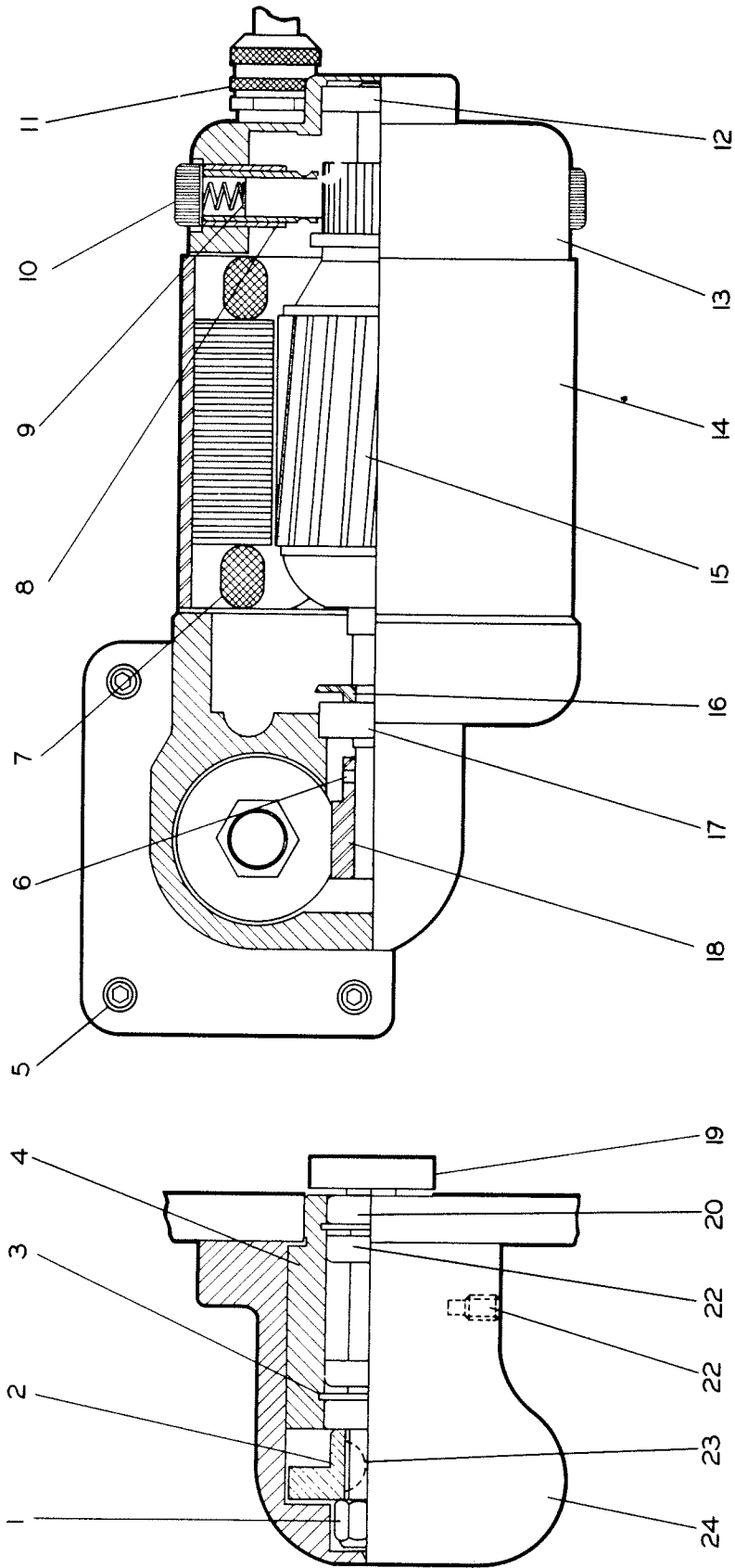
HARDINGE BROTHERS, INC., ELMIRA, NEW YORK, U.S.A.

POWER FEED ASSEMBLY PARTS LIST

KEY	PART NUMBER	PCS.	PART NAME	KEY	PART NUMBER	PCS.	PART NAME	KEY	PART NUMBER	PCS.	PART NAME.
1	EW-4624	1	Nut	8	E-9332	2	Brush Holder	16	HC-9578	1	Spacer
2	IH-9345	1	Worm Wheel	9	D-9332	2	Brushes With Springs	17	TL-6617	1	Motor Bearing
3	87-8231-1	2	Retaining Ring	10	C-9332	2	Brush Cap	18	IH-9349	1	Worm Gear
4	HL-9393	1	Worm Retaining Plug	11	J-9332	1	Grommet	19	IH-9559	1	Housing Shaft Bearing
5	100812	3	Screw	12	G-9332	1	Motor Bearing	20	RA-7909	2	Seal
6	35-9862-8	1	Worm Pin	13	F-9332	1	End Bell	21	HL-10124	1	Lock Screw
7	B-9332	1	Field Coil, Pole & Shell Assembly	14	HC-9332	1	Motor	22	IH-4044	1	Key
				15	A-9332	1	Armature	23	3-1759	1	Housing
								24	IH-7502	1	

WHEN ORDERING PARTS, GIVE KEY NUMBER, PART NUMBER AND PART NAME. BE SURE TO GIVE COMPLETE SERIAL NUMBER WHICH IS STAMPED ON TAILSTOCK END OF THE BED.

POWER FEED ASSEMBLY PARTS LIST FOR MODEL HLV-H MACHINES



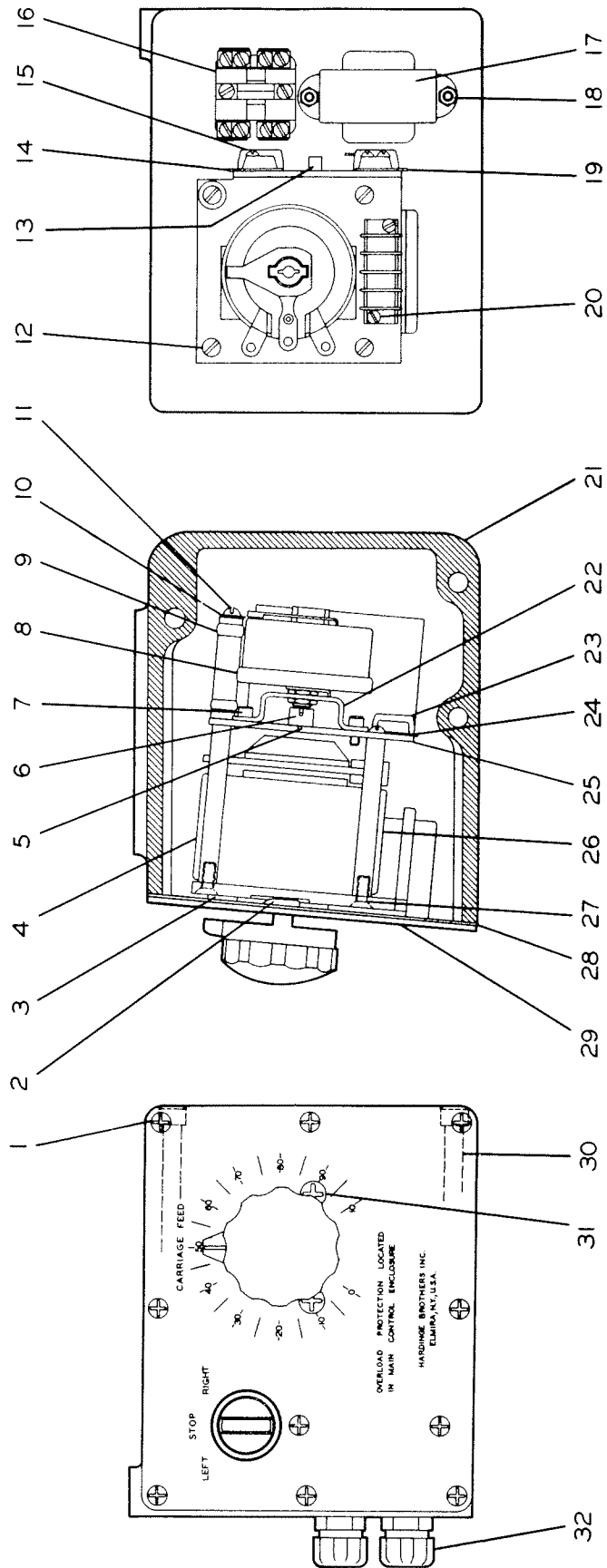
HARDINGE BROTHERS, INC., ELMIRA, NEW YORK, U.S.A.

POWER FEED CONTROL BOX PARTS LIST

KEY	PART NUMBER	PCS.	PART NAME	KEY	PART NUMBER	PCS.	PART NAME	KEY	PART NUMBER	PCS.	PART NAME
1	400307	8	Screw	11	350340	1	Screw	22	CF-9568	1	Bracket
2	PF-10620	1	Retaining Ring &	12	350308	3	Screw	23	S4-11170	1	Terminal Strip
3	PF-10622	3	Oil Seal Assembly	13	CH-9335-S	1	Rectifier Assem.	24	CF-9175--3	1	Marker Strip
4	5-1895	1	Washer	14	CF-9175--1	1	Marker Strip	25	CF-9568-1	1	Mounting Plate
5	CFA-9566	2	Autotransformer	15	S4-8116	2	Terminal Strip	26	CF-11164	4	Mounting Post
6	49-4694	1	Retaining Pin	16	CF-3650	1	Switch	27	450510	4	Screw
7	CF-11163	1	Shaft Coupling	17	PF-10619	1	Reactor	28	HLA-9713	1	Seal
8	100306	2	Screw	18	400-307	2	Screw, Nut &	29	CFA-9510	1	Indicator Plate
9	CF-10764	1	Rheostat		MD-2883		Lockwasher	30	HL-10794	3	Screw
10	PF-10472	1	Braking Resistor		WD-9028		Assembly	31	400608	3	Screw
	6000-10621	2	Center Washer,	19	CF-9175-2	1	Marker Strip	32	6-9207	2	Connector
	6010-10621		Mica Washer Assem	20	350210	6	Screw				
				21	CF-6001	1	Housing				

WHEN ORDERING PARTS, GIVE KEY NUMBER, PART NUMBER AND PART NAME. BE SURE TO GIVE COMPLETE SERIAL NUMBER WHICH IS STAMPED ON TAILSTOCK END OF THE BED.

POWER FEED CONTROL BOX PARTS LIST FOR MODEL HLV-H MACHINES



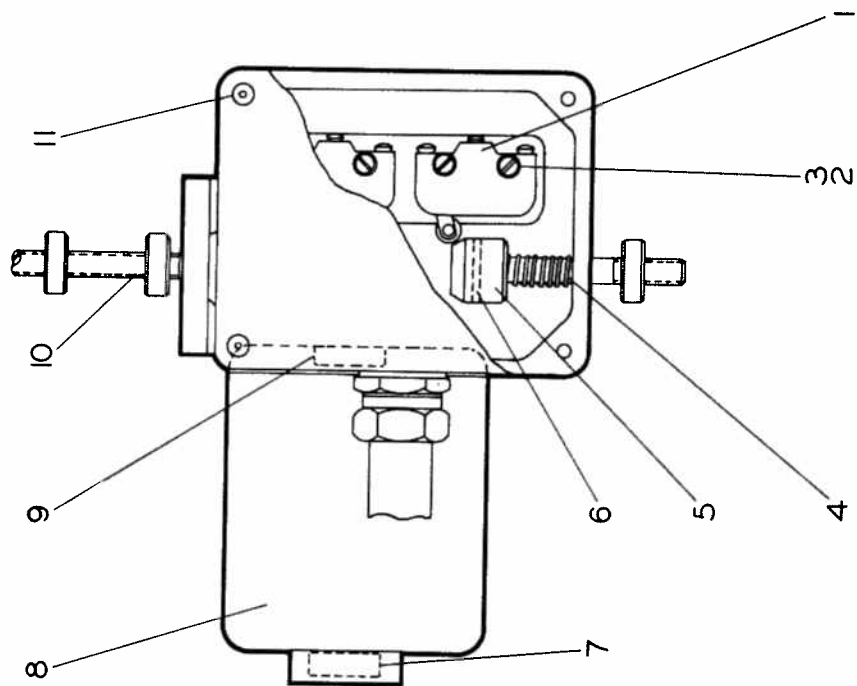
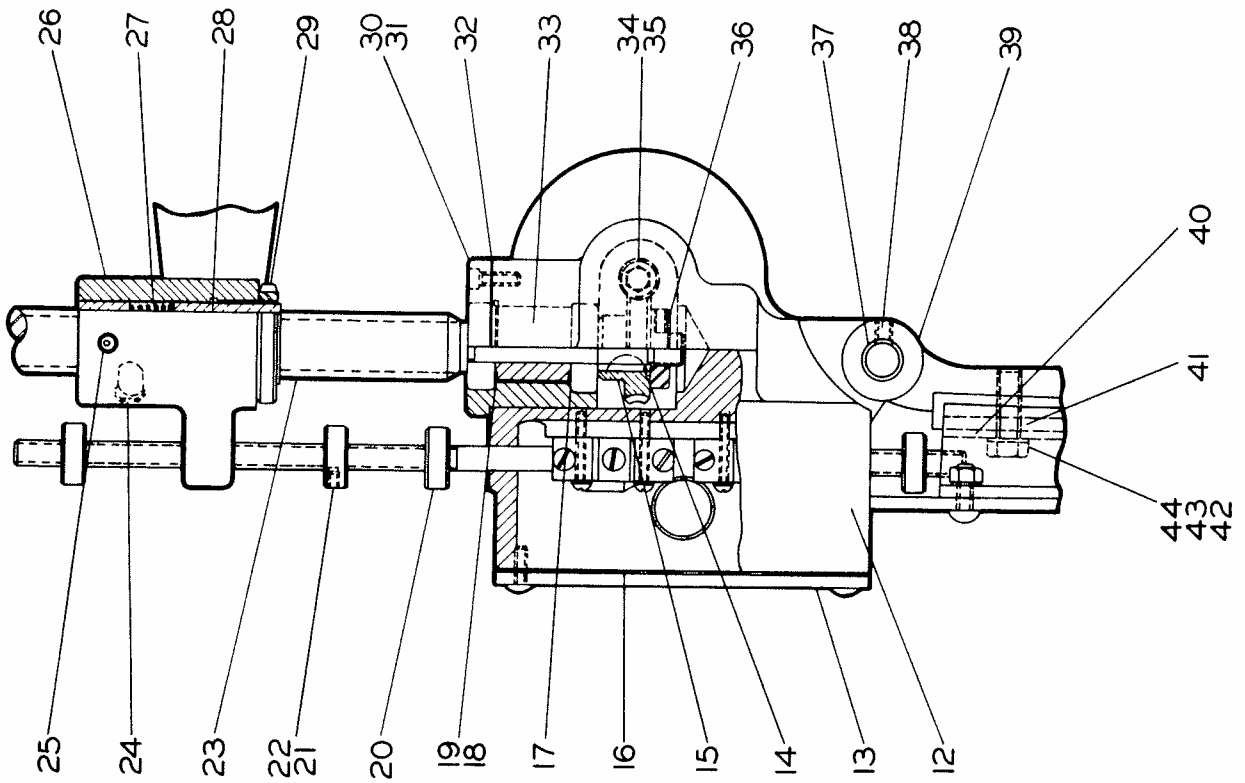
HARDINGE BROTHERS, INC., ELMIRA, NEW YORK, U.S.A.

VARIABLE SPEED ACTUATOR ASSEMBLY PARTS LIST

KEY	PART NUMBER	PCS.	PART NAME	KEY	PART NUMBER	PCS.	PART NAME	KEY	PART NUMBER	PCS.	PART NAME
1	DVB-10224	2	Micro Switch	13	DVA-10195	1	Cover	25	VS-10379	1	Key
2	350116	4	Screw	14	5-1465	1	Key	26	DVB-10209	1	Nut Housing
3	SL-8137	4	Lockwasher	15	DVA-10183	1	Worm Wheel	27	DV-10311	1	Spring
4	DV-10418	2	Spring	16	DVA-10216	1	Gasket	28	DV-1810	1	Vertical Screw Nut
5	DV-10420	2	Switch Trip	17	TL-6618	2	Bearing	29	U-1811	1	Lock Nut
6	4S-9862-16	2	Roll Pin	18	TL-6480		Shim	30	DVB-10187	1	Bearing Cap
7	TL-6617	1	Motor Bearing (Rear)	19	TL-6481	4	Shim	31	100308	3	Screw
8	DV-10222	1	Motor	20	DV-10419	5	Trip Rod Stop	32	VSC-6481	1	Shim
9	TL-9174	1	Motor Bearing (Front)	21	550304	5	Lock Screw	33	VSC-1799	1	Spacer
10	DVB-10417	1	Trip Rod	22	N37-483	1	Nylon Plug	34	DV-10231	1	Motor Worm
11	300308	4	Screw	23	DVB-10191	1	Screw	35	DV-10422	1	Motor Shaft Nut
12	DVD-10199	1	Control Housing	24	DV-10327	1	Grease Fitting	36	CP-9342	1	Bearing Nut
								37	DVA-10182	1	Swivel Pin
								38	550306	1	Screw
								39	DVB-10192	1	Support
								40	DVA-10561	1	Backing Plate
								41	DV-10540	1	Insulator
								42	DV-10538	2	Bushing
								43	MD-3591	2	Lockwasher
								44	151020	2	Screw

WHEN ORDERING PARTS, GIVE KEY NUMBER, PART NUMBER AND PART NAME. BE SURE TO GIVE COMPLETE SERIAL NUMBER WHICH IS STAMPED ON TAILSTOCK END OF THE BED.

VARIABLE SPEED ACTUATOR ASSEMBLY PARTS LIST FOR MODEL HLV-H MACHINES



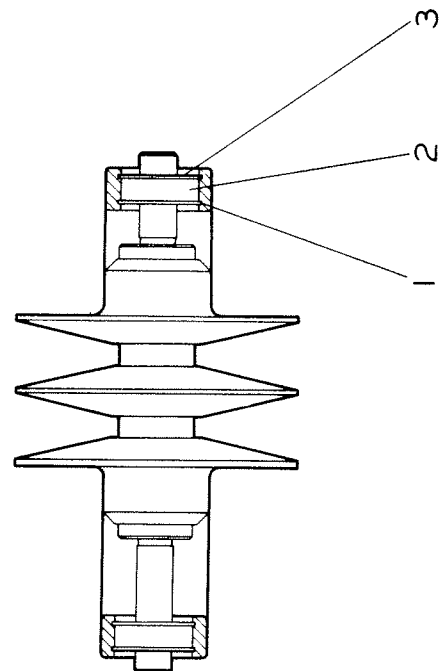
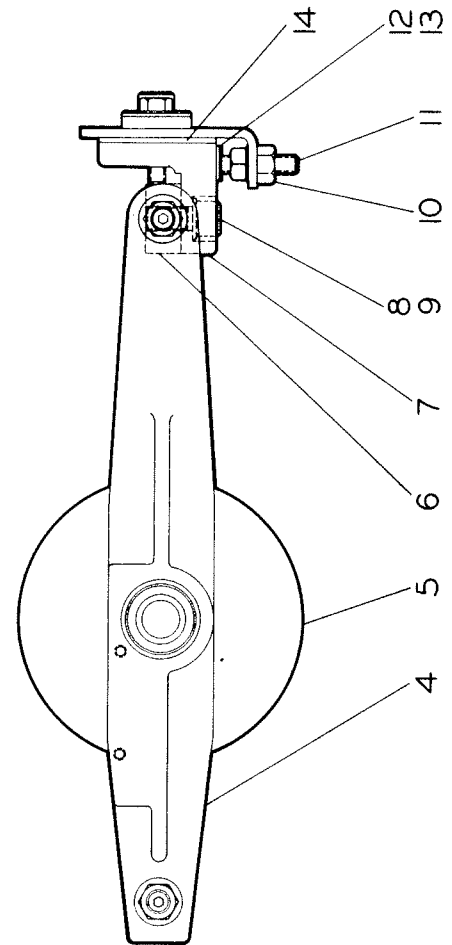
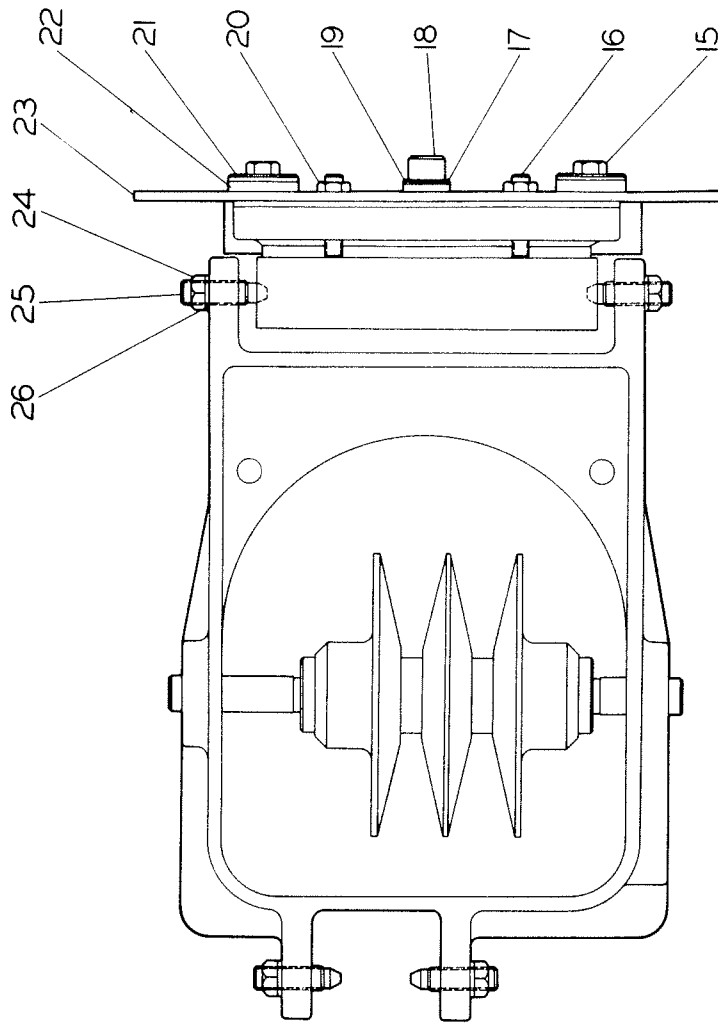
HARDINGE BROTHERS, INC., ELMIRA, NEW YORK, U.S.A.

VARIABLE SPEED PULLEY ASSEMBLY PARTS LIST

KEY	PART NUMBER	PCS.	PART NAME	KEY	PART NUMBER	PCS.	PART NAME	KEY	PART NUMBER	PCS.	PART NAME
1	165-8231-1	4	Retaining Ring	10	7-1502	4	Nut	18	101320	1	Screw
2	CW-9058	2	Bearing	11	551024	4	Adjusting Screw	19	5P-6433	1	Washer
3	510-10405	1	Bearing Shim	12	DV-10541	2	Rubber Bumper	20	7-1502	2	Nut
4	CHA-10180	1	Drive Support	13	DV-10567	2	Bushing	21	QS-10143	2	Washer
5	DVC-9832	1	Pulley Assembly	14	DV-10537	1	Insulator	22	DV-10542	2	Rubber Washer
6	QS-10140	1	Pivot Block	15	151020	2	Screw	23	LH-1990-47	1	Hanger Bracket
7	QSA-10121	1	Support Bracket	16	551024	2	Adjusting Screw	24	5-1466	4	Nut
8	5P-6434	5	Lockwasher	17	DV-10536	1	Bushing	25	QS-10141	4	Pivot Screw
9	101316	1	Screw					26	5P-6434	5	Lockwasher

WHEN ORDERING PARTS, GIVE KEY NUMBER, PART NUMBER AND PART NAME. BE SURE TO GIVE COMPLETE SERIAL NUMBER WHICH IS STAMPED ON TAILSTOCK END OF THE BED.

VARIABLE SPEED PULLEY ASSEMBLY PARTS LIST FOR MODEL HLV-H MACHINES



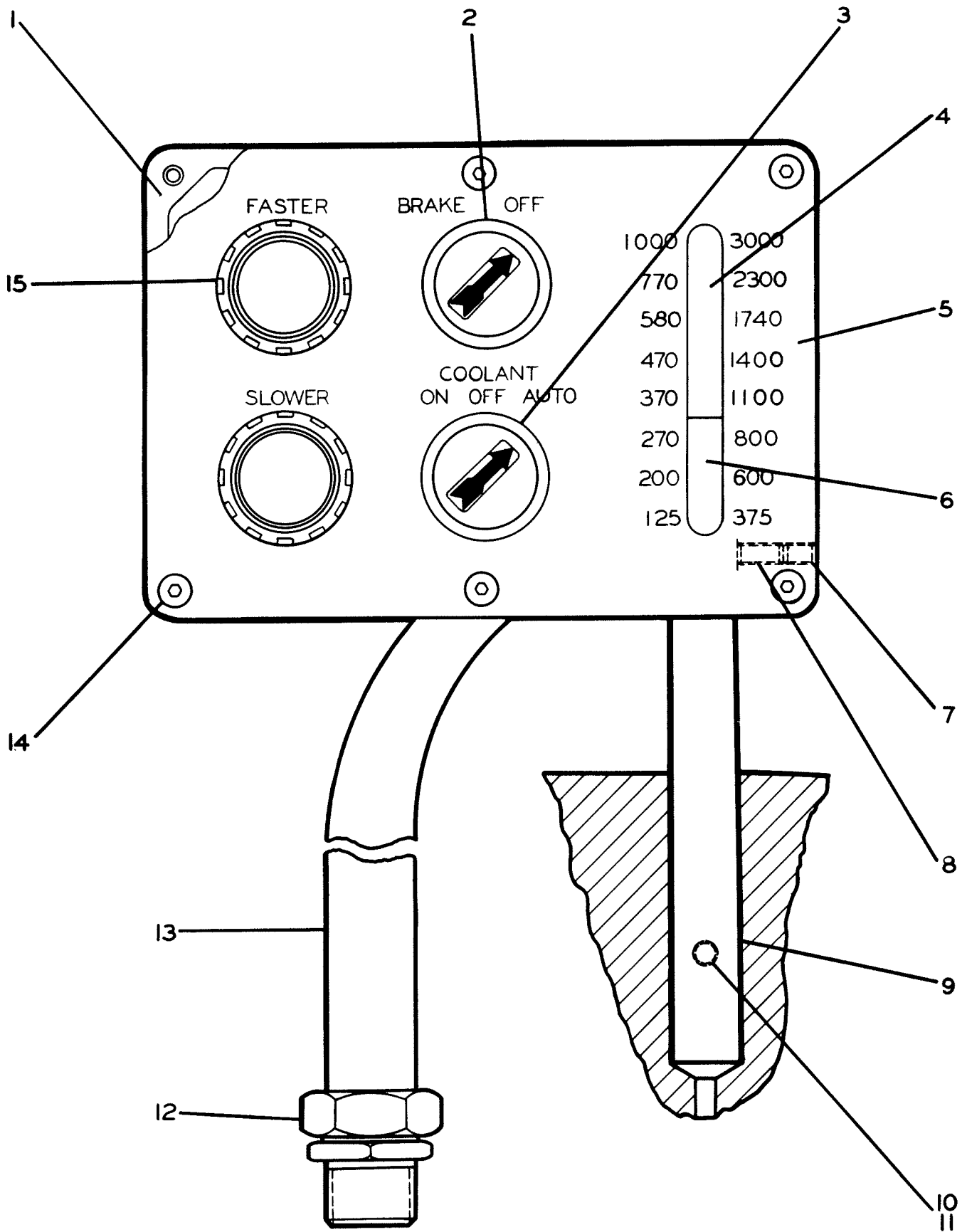
HARDINGE BROTHERS, INC., ELMIRA, NEW YORK, U.S.A.

VARIABLE SPEED CONTROL BOX PARTS LIST

KEY	PART NUMBER	PCS.	PART NAME	KEY	PART NUMBER	PCS.	PART NAME
1	LH-10181	1	Control Box	9	LH-10190	1	Support
2	HL-9553	1	Brake Switch	10	550604	1	Screw
3	LH-9553	1	Coolant Switch	11	550606	1	Screw
4	LH-10189	1	Window	12	75-10225	2	Connector
5	LH-10188	1	Indicator Plate	13	75-10229		Conduit
6	DV-10185	1	Indicator Tip	14	300306	6	Screw
7	550606	2	Lock Screw	15	DV-9973	2	Control Unit
8	550608	2	Screw				

WHEN ORDERING PARTS, GIVE KEY NUMBER, PART NUMBER AND PART NAME. BE SURE TO GIVE COMPLETE SERIAL NUMBER WHICH IS STAMPED ON TAILSTOCK END OF THE BED.

VARIABLE SPEED CONTROL BOX PARTS LIST FOR MODEL HLV-H MACHINES



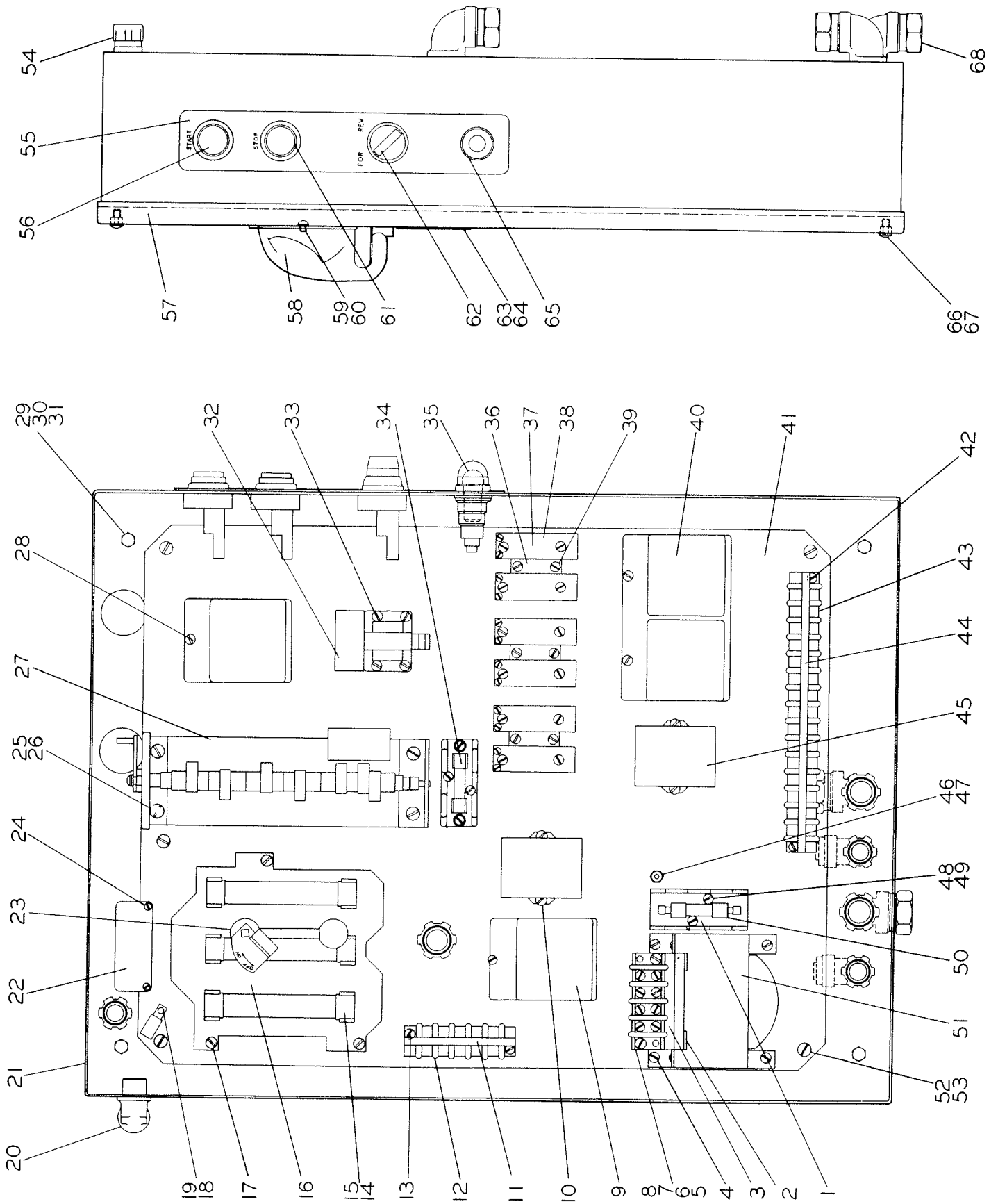
HARDINGE BROTHERS, INC., ELMIRA, NEW YORK, U.S.A.

ELECTRIC CONTROL PANEL ASSEMBLY PARTS LIST

KEY	PART NUMBER	PCS.	PART NAME	KEY	PART NUMBER	PCS.	PART NAME	KEY	PART NUMBER	PCS.	PART NAME
1	DV-10017	2	Fuse Cut Out	27	DVB-2835	1	Cam Speed Switch	53	CM-2845	5	Lockwasher
2	LH-11061	1	Terminal Bracket	28	360307	3	Screw	54	6-9207	1	Connector
3	A-9175-4	1	Marker Strip	29	150610	4	Screw	55	LH-10372	1	Legend Plate
4	360307	4	Screw	30	CM-2845	4	Lockwasher	56	LH-9973	1	"Start" Button
5	4-8116	1	Terminal Strip	31	5P-2843	4	Nut	57	CQA-9976	1	Gasket
6	350312	2	Screw	32	JHL-10019	1	Relay	58	JG-10359	1	Handle
7	37A-361	2	Nut	33	350206	4	Screw	59	350304	3	Screw
8	CM-2840	2	Lockwasher	34	JWL-9610	1	Fuse	60	WD-9028	3	Lockwasher
9	RG-8775	2	Contactor	35	DQR-10557	1	Pilot Light Lamp	61	J6-9972	1	"Stop" Button
10	350318	4	Screw	36	LH-9864	3	Relay Support	62	LF-9553	1	Switch
11	HL-9175-5	1	Marker Strip	37	9833	6	Heaters	63	LHC-8074-2	1	Data Plate
12	H5-8116	1	Terminal Strip	38	HVA-8122	13	Relay	64	R-8044	4	Escutcheon Pin
13	350310	2	Screw	39	360307	1	Screw	65	DQR-9971	1	Pilot Light
14	SD-9610-1	3	Main Line Fuses	40	VD-10230	1	Contactor	66	GD-10465	2	Captive Screw
15	JG-10017	1	Fuse Clips (1set)	41	LHA-1904	1	Panel Plate	67	GD-10755	2	Spacer
16	JG-10016	1	Disconnect Switch	42	350310	2	Screw	68	75-10225-90	3	3/4" Connector - 90°
17	360307	3	Screw	43	HL5-8116	1	Terminal Strip				
18	DVB-9623	1	Cable Clamp	44	LH-9175-15	1	Marker Strip				
19	100306	1	Screw	45	LH-8775	2	Magnetic Contactor				
20	50-10225-90	3	1/2" Connector - 90°	46	DV-10545	2	Grounding Post				
21	LH-4158	1	Switch Case	47	DV-10546	6	Nut for Post				
22	DV-10302	1	Instruction Plate	48	350206	4	Screw				
23	LH-7220	1	Handle Assembly	49	HC-2840	4	Lockwasher				
24	350104	2	Screw	50	JHC-9610	1	Fuse				
25	350508	4	Screw	51	JHL-8776	1	Transformer				
26	6-9181	4	Lockwasher	52	350608	5	Screw				

WHEN ORDERING PARTS, GIVE KEY NUMBER, PART NUMBER AND PART NAME. BE SURE TO GIVE COMPLETE SERIAL NUMBER WHICH IS STAMPED ON TAILSTOCK END OF THE BED

ELECTRIC CONTROL PANEL ASSEMBLY PARTS LIST FOR MODEL HLV-H MACHINES



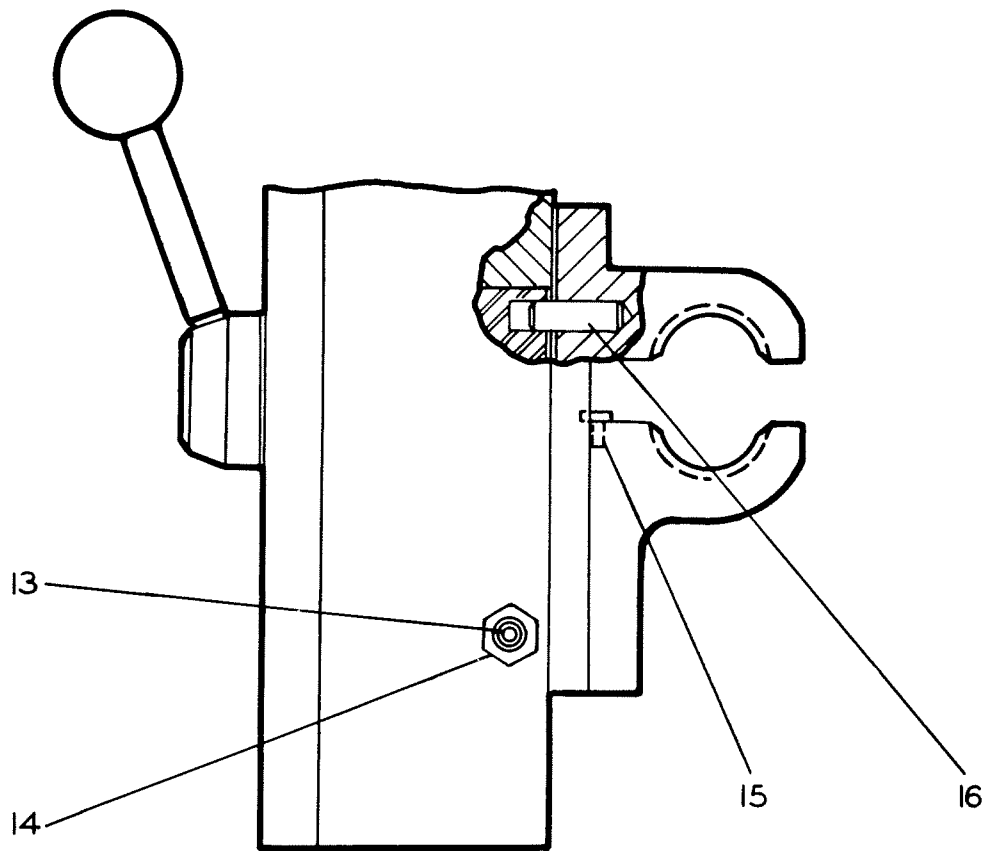
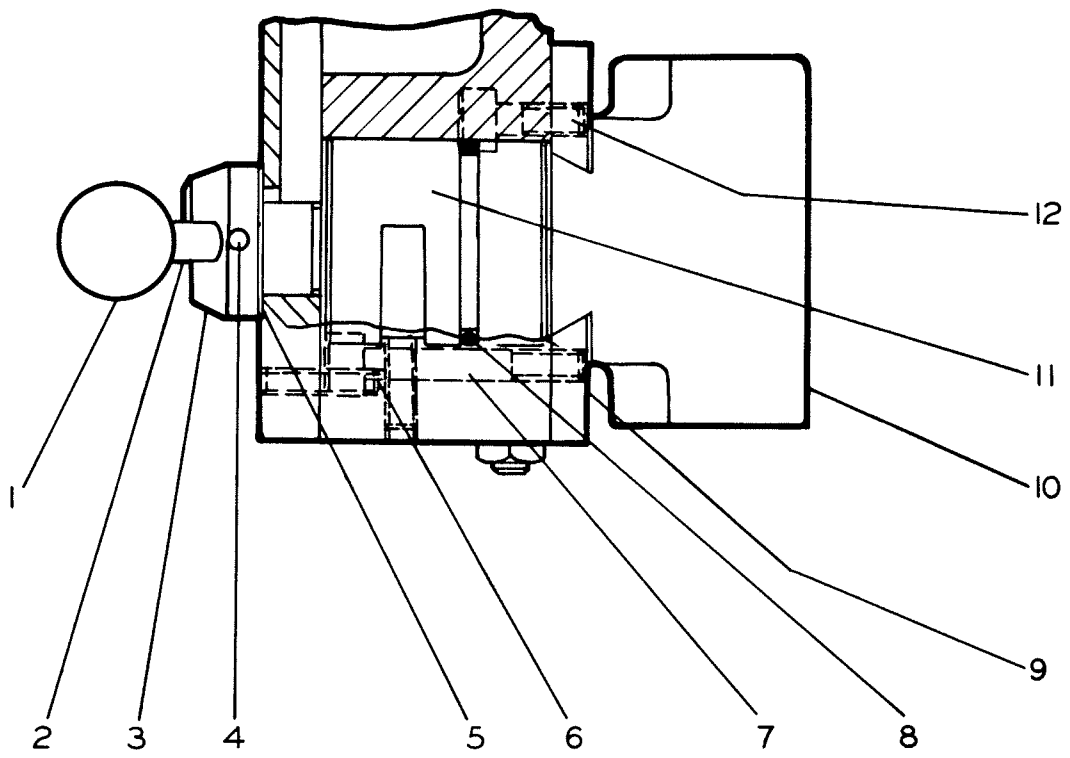
HARDINGE BROTHERS, INC., ELMIRA, NEW YORK, U.S.A.

CARRIAGE HALE NUT AND HANDLE ASSEMBLY PARTS LIST

KEY	PART NUMBER	PCS.	PART NAME	KEY	PART NUMBER	PCS.	PART NAME
1	TL-6126	1	Ball Handle	9	LH-6172	2	Gib
2	TL-6158	1	Half Nut Handle	10	LH-6673	1	Lead Screw Nut
3	TL-6157	1	Handle Hub	11	LH-6678	1	Cam
4	MD-3253	1	Taper Pin	12	LH-11017-1	1	Gib Screw
5	TL-6695	1	Washer	13	550512	2	Gib Screw
6	37-483	1	Brass Plug	14	CM-2843	2	Nut
7	LH-11017	3	Gib Screw	15	TL-6475	1	Stop
8	OR-2327	1	"O" Ring	16	R-4853	4	Dowel

WHEN ORDERING PARTS, GIVE KEY NUMBER, PART NUMBER AND PART NAME. BE SURE TO GIVE COMPLETE SERIAL NUMBER WHICH IS STAMPED ON TAILSTOCK END OF THE BED.

CARRIAGE HALF NUT AND HANDLE ASSEMBLY PARTS LIST FOR MODEL HLV-H MACHINES



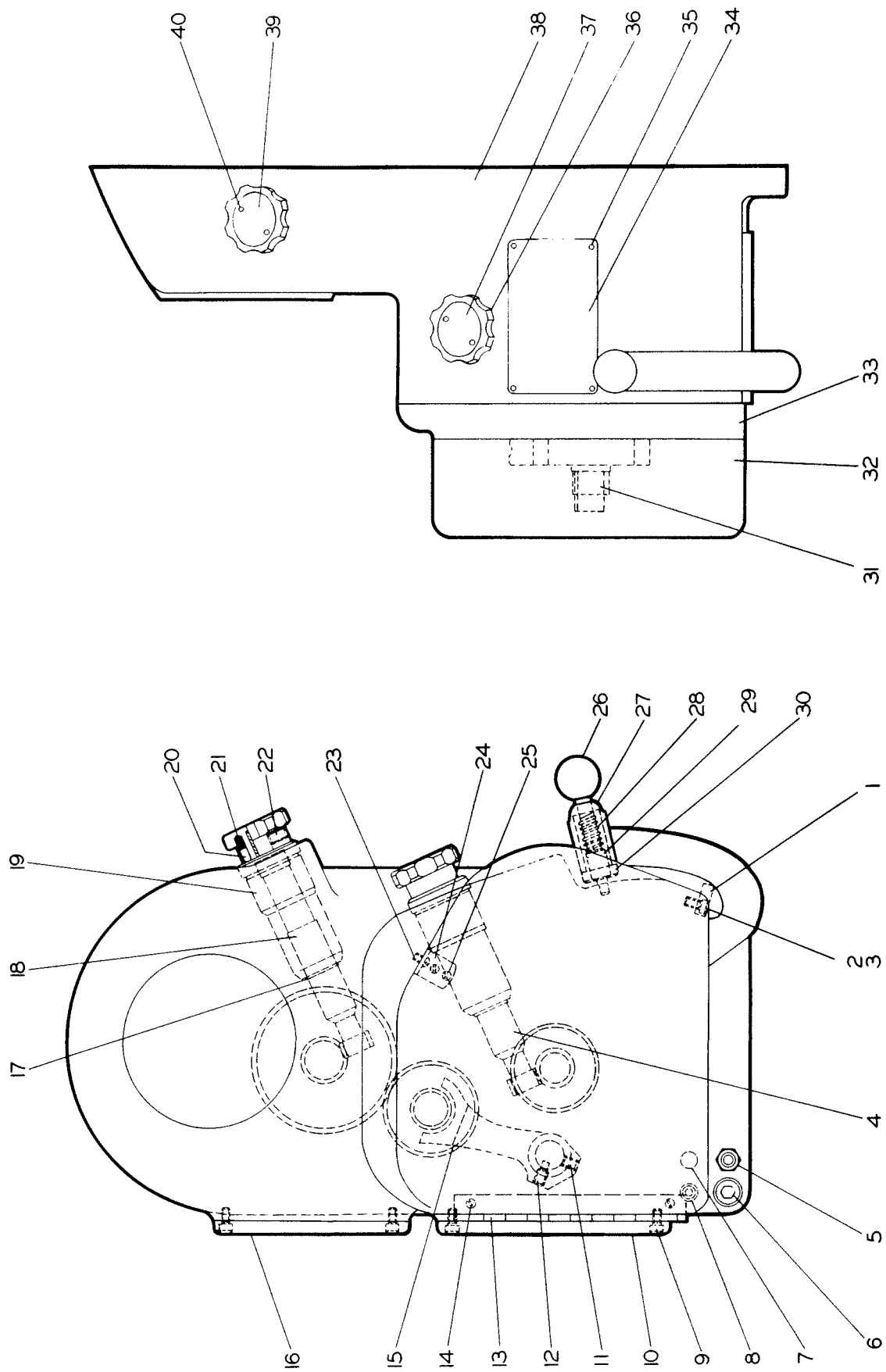
HARDINGE BROTHERS, INC., ELMIRA, NEW YORK, U.S.A.

GEARBOX ASSEMBLY PARTS LIST

KEY	PART NUMBER	PCS.	PART NAME	KEY	PART NUMBER	PCS.	PART NAME	KEY	PART NUMBER	PCS.	PART NAME
1	HLA-9498	1	Tumbler Guide	15	HLA-6245	1	Shifter Fork	28	6242	1	Spring
2	TL-6770	2	Dowel	16	LH-11013	1	Cover Plate	29	6241	1	Plunger
3	100208	2	Screw	17	75-8231-2	2	Retaining Ring	30	6240	1	Bearing
4	HLA-6283-L	1	Pinion Shaft	18	HLA-6283-L	1	Pinion Shaft	31	6233	2	Spacer
5	HL-9530	1	Dowel	19	HLB-9524	2	Bushing	32	6250	1	Gear Guard
6	101014	4	Screw	20	TL-6851	2	Plunger	33	6603	1	Plate
7	TL-6608	2	Pin	21	6495	2	Spring	34	6331	1	Name Plate
8	100616	5	Screw	22	550507	2	Screw	35	8044	4	Escutcheon Pin
9	100406	8	Screw	23	350206	1	Catch Strike	36	6285	2	Handle
10	HL-6286	1	Cover	24	9376	1	Catch	37	9526	1	Three Change Plate
11	550606	2	Screw	25	350106	2	Screw	38	6602	1	Housing
12	HLA-9635	1	Screw	26	6126	1	Handle Ball	39	9525	1	Thread Feed Plate
13	HM-9373	1	Hinge	27	9620	1	Nut	40	8044	4	Escutcheon Pin
14	45006	6	Hinge Screw								

WHEN ORDERING PARTS, GIVE KEY NUMBER, PART NUMBER AND PART NAME. BE SURE TO GIVE COMPLETE SERIAL NUMBER WHICH IS STAMPED ON TAILSTOCK END OF THE BED.

GEARBOX ASSEMBLY PARTS LIST FOR MODEL HLIV-H MACHINES



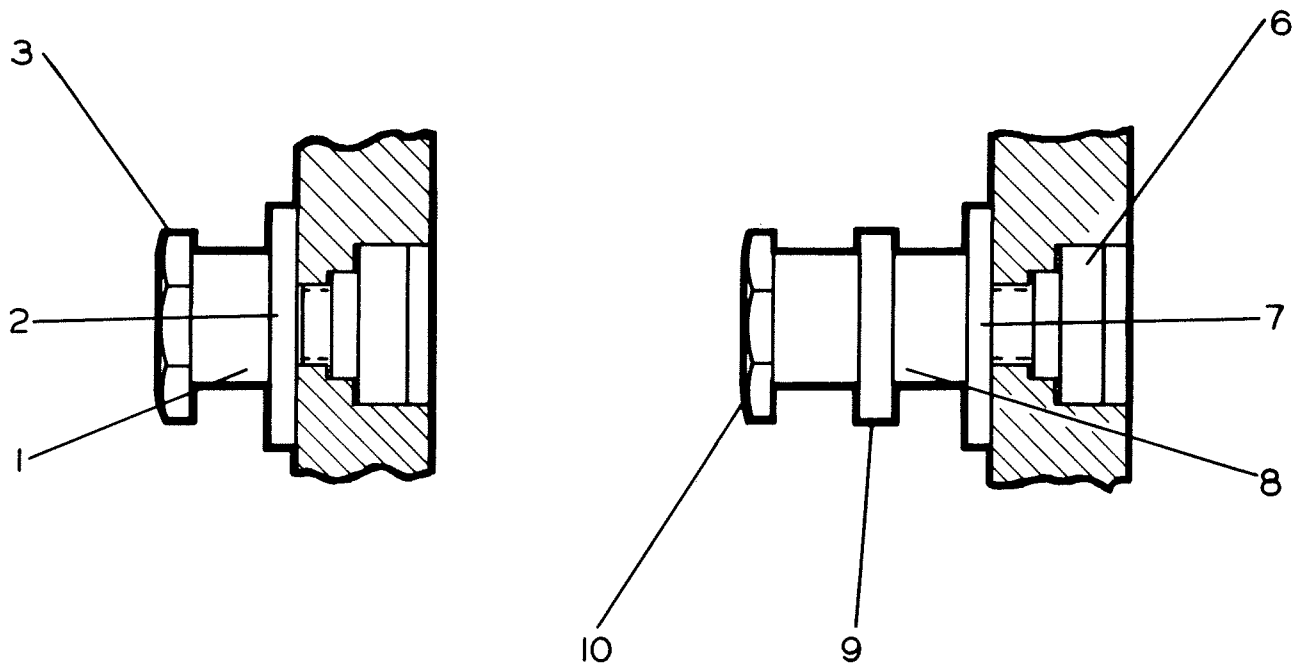
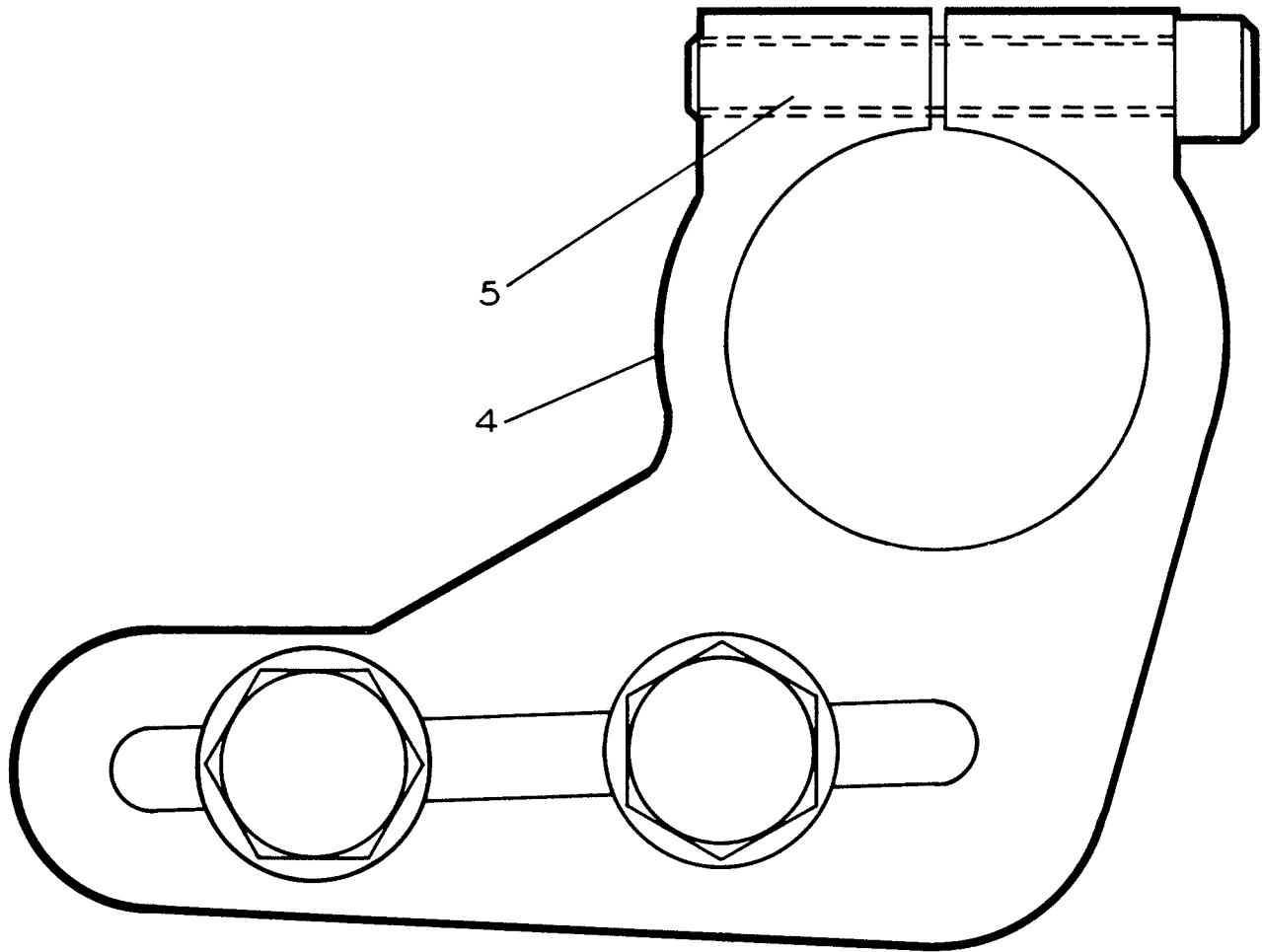
HARDINGE BROTHERS, INC., ELMIRA, NEW YORK, U.S.A.

CHANGE GEAR BRACKET PARTS LIST

KEY	PART NUMBER	PCS.	PART NAME	KEY	PART NUMBER	PCS.	PART NAME
1	TL-6256	1	Gear Bushing	6	TL-6251	2	Clamping Nuts
2	TL-6255	1	Bushing (Single)	7	TL-6254	1	Bushing (Double)
3	TL-6253	1	Single Gear Clamping Bolt	8	TL-6248	1	Bushing
4	HL-6606	1	Bracket	9	TL-6249	1	Spacer
5	101036	1	Screw	10	TL-6252	1	Clamping Bolt

WHEN ORDERING PARTS, GIVE KEY NUMBER, PART NUMBER AND PART NAME. BE SURE TO GIVE COMPLETE SERIAL NUMBER WHICH IS STAMPED ON TAILSTOCK END OF THE BED.

CHANGE GEAR BRACKET PARTS LIST FOR MODEL HLIV-H MACHINES



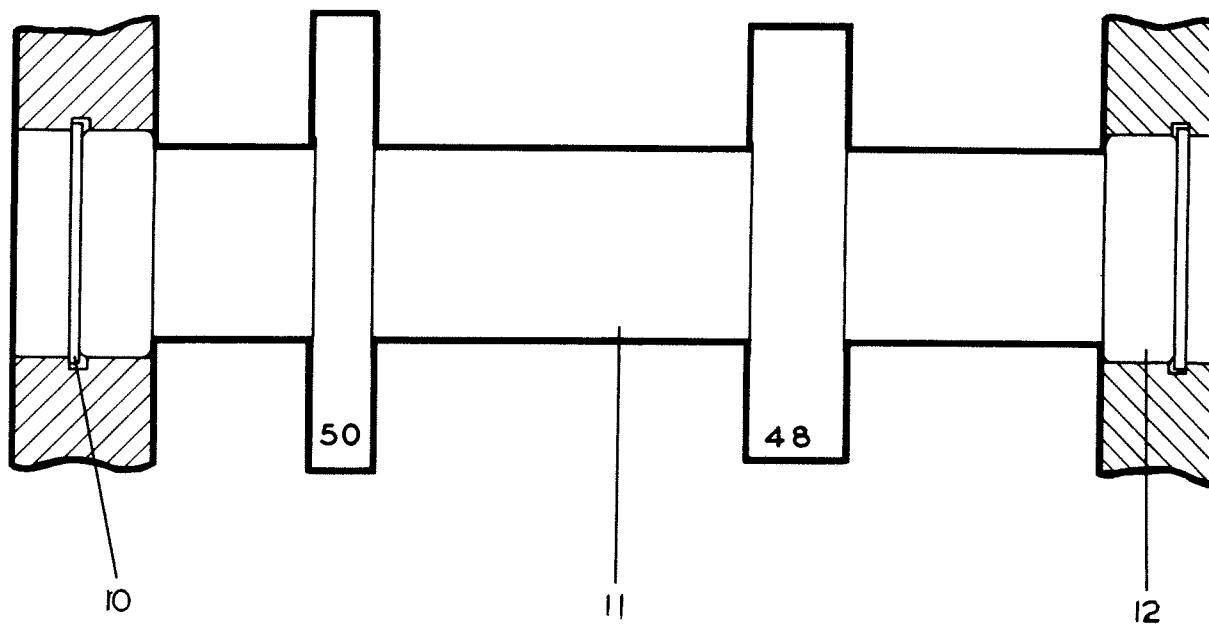
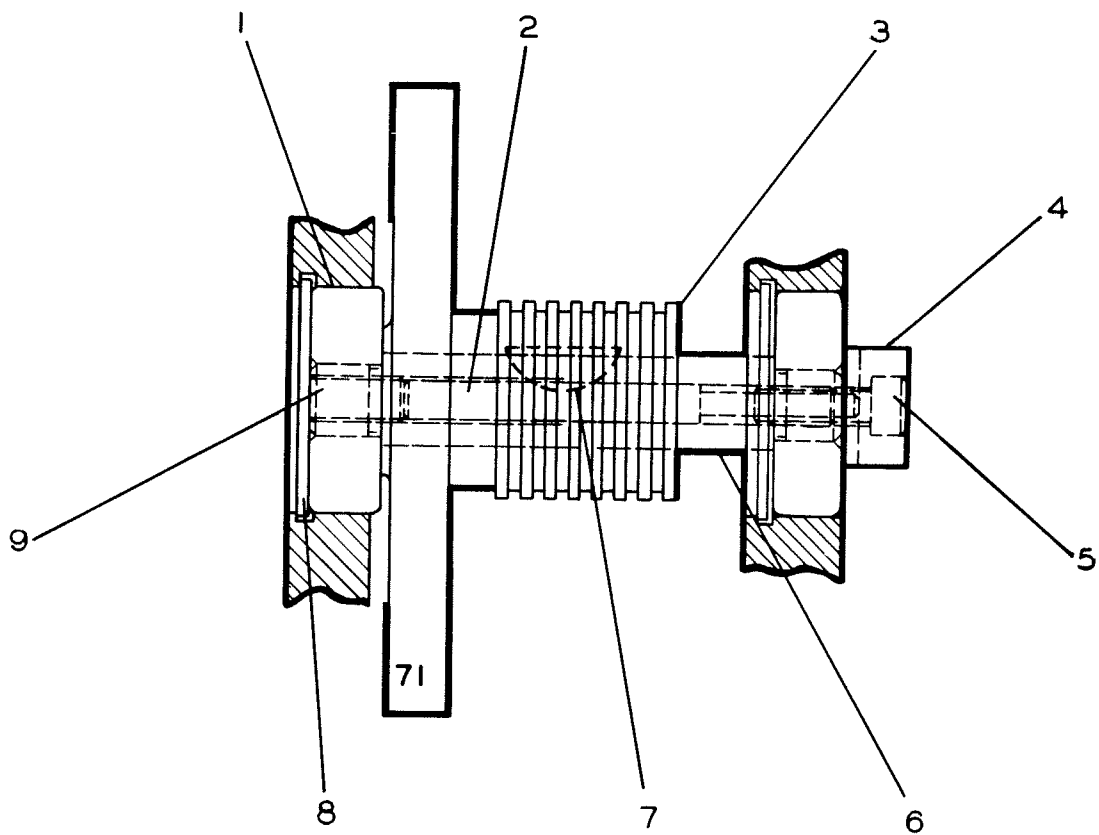
HARDINGE BROTHERS, INC., ELMIRA, NEW YORK, U.S.A.

GEARBOS IDLER SHAFT AND REVERSE SHAFT PARTS LIST

KEY	PART NUMBER	PCS.	PART NAME	KEY	PART NUMBER	PCS.	PART NAME
1	TL-6617	2	Ball Bearing	7	LH-1465	1	Key
2	LH-11036	1	Knockout Pin	8	118-8231-1	2	Retaining Ring
3	LH-9488	1	71 Tooth Gear	9	N-550506	1	Set Screw
4	LH-11035	1	Stop Block	10	118-8231-1	2	Retaining Ring
5	100310	2	Screw	11	HLA-9489	1	Reverse Shaft
6	LH-9487	1	Idler Shaft	12	TL-6617	2	Ball Bearing

WHEN ORDERING PARTS, GIVE KEY NUMBER, PART NUMBER AND PART NAME. BE SURE TO GIVE COMPLETE SERIAL NUMBER WHICH IS STAMPED ON TAILSTOCK END OF THE BED.

GEARBOX IDLER SHAFT AND REVERSE SHAFT PARTS LIST FOR MODEL HLV-H MACHINES



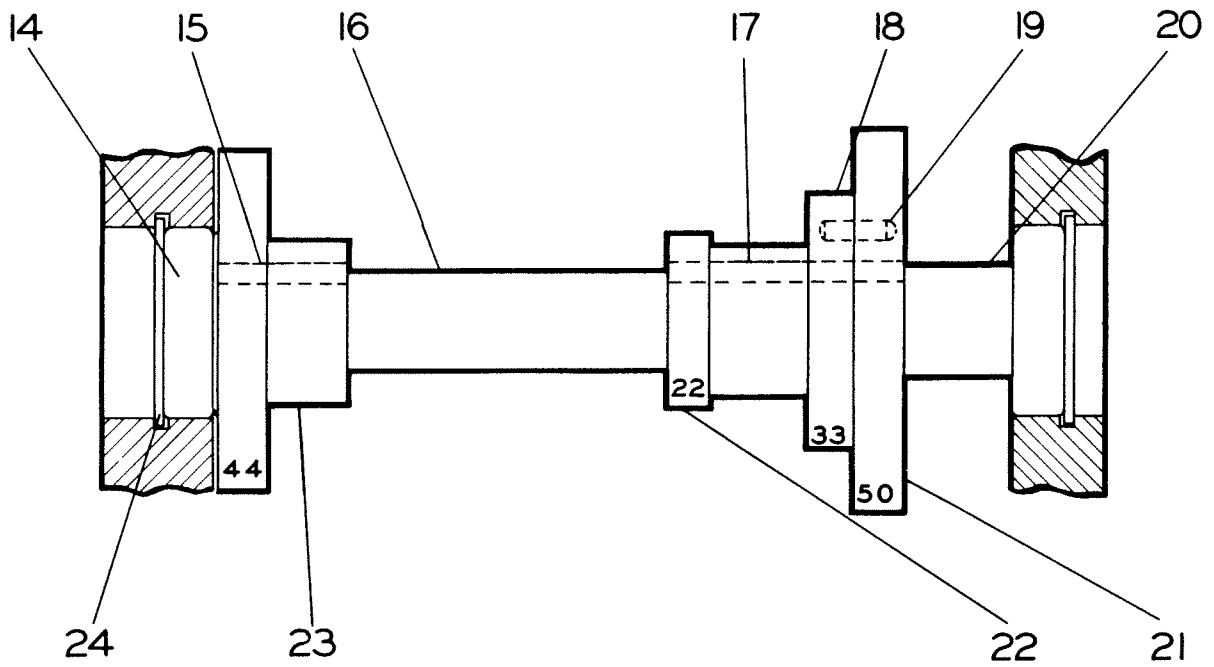
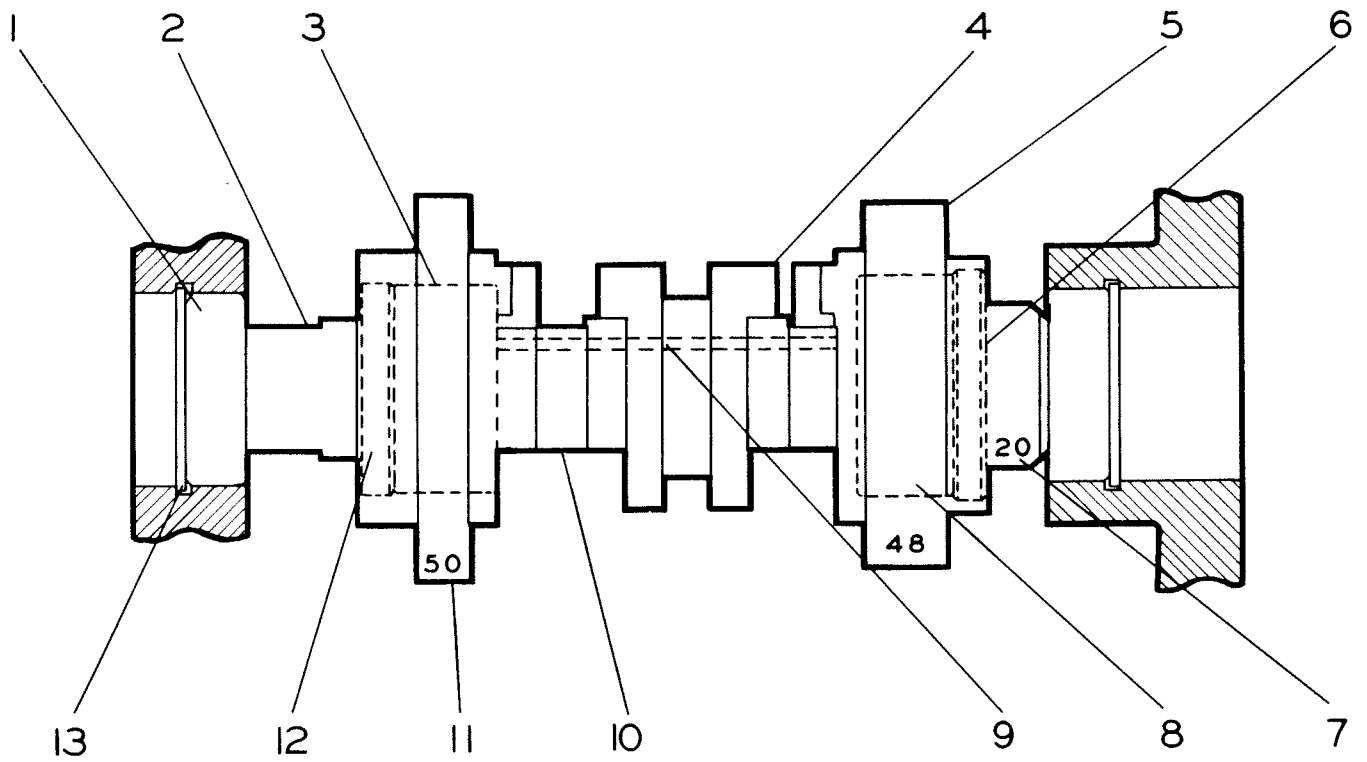
HARDINGE BROTHERS, INC., ELMIRA, NEW YORK, U.S.A.

CLUTCH SHAFT AND INTERMEDIATE SHAFT PARTS LIST

KEY	PART NUMBER	PCS.	PART NAME	KEY	PART NUMBER	PCS.	PART NAME
1	TL-6617	2	Ball Bearing	12	HL-9949	1	Nut
2	TA-6216	1	Shaft Bushing	13	118-8231-1	2	Retaining Ring
3	TL-6616	1	Ball Bearing	14	TL-6617	2	Ball Bearing
4	TL-6270	1	Quick Reverse Clutch	15	TL-6356	1	Key
5	HLB-6281	1	Forward Gear Assem	16	HL-6201	1	Shaft
6	HL-9950	1	Forward Nut	17	TL-6318	1	Key
7	HLB-6200	1	Shaft	18	HLA-6211	1	33 Tooth Gear
8	2V-6504	1	Ball Bearing	19	CD-4629	2	Dowel Pin
9	TL-6317	1	Key	20	TL-6219	1	Bushing
10	TL-6272	1	Clutch Bushing	21	HL-6212	1	50 Tooth Gear
11	HLB-6296	1	Reverse Gear Assem	22	HLA-6210	1	22 Tooth Gear
				23	HLA-6221	1	44 Tooth Gear
				24	118-8231	2	Retaining Ring

WHEN ORDERING PARTS, GIVE KEY NUMBER, PART NUMBER AND PART NAME. BE SURE TO GIVE COMPLETE SERIAL NUMBER WHICH IS STAMPED ON TAILSTOCK END OF THE BED.

CLUTCH SHAFT AND INTERMEDIATE SHAFT PARTS LIST FOR MODEL HLV-H MACHINES



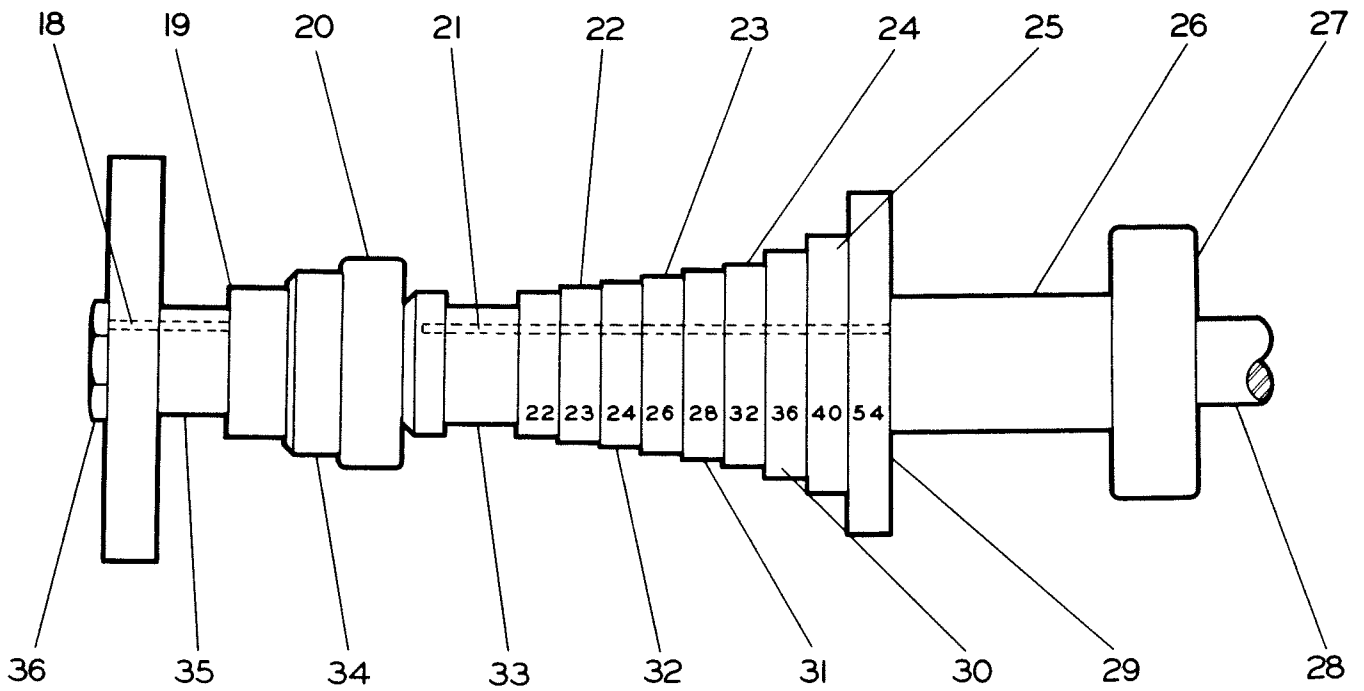
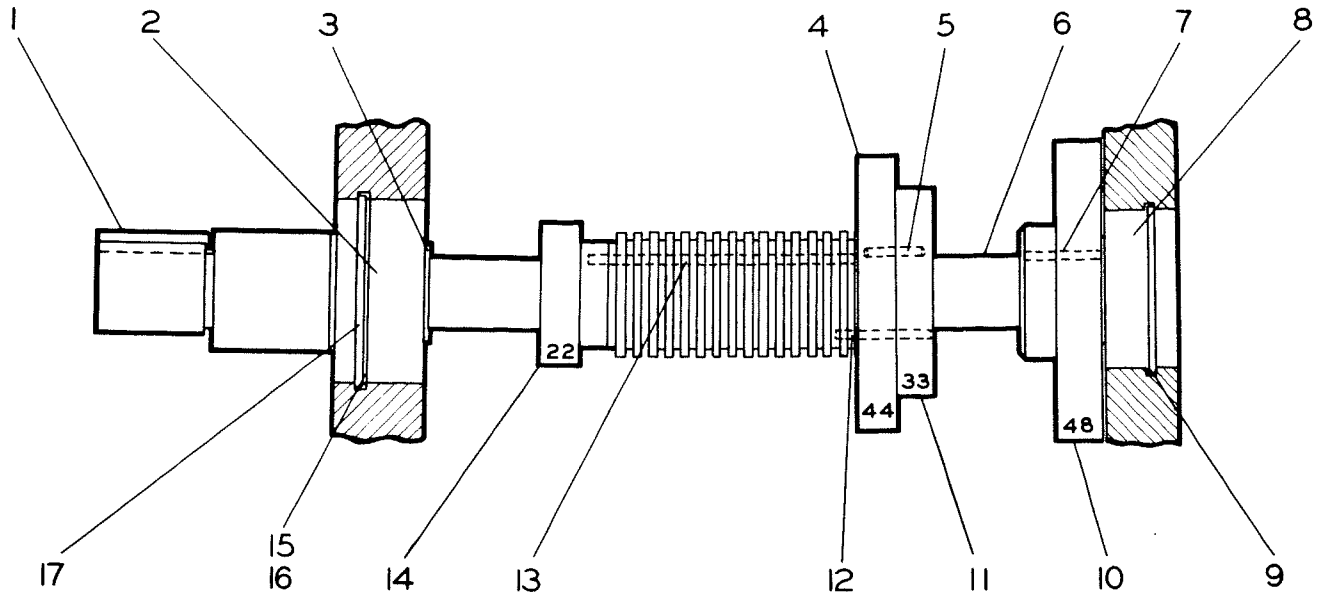
HARDINGE BROTHERS, INC., ELMIRA, NEW YORK, U.S.A.

CLUSTER SHAFT AND CHANGE SHAFT PARTS LIST

KEY	PART NUMBER	PCS.	PART NAME	KEY	PART NUMBER	PCS.	PART NAME
1	TL-6278	1	Key	19	HL-6226	1	Collar
2	TL-6618	1	Ball Bearing	20	TL-6621	1	Bearing
3	50-8231-2	1	Retaining Ring	21	TL-6319	1	Key
4	HLA-6214	1	44 Tooth Gear	22	HLA-6202	1	23 Tooth Gear
5	CD-4629	2	Dowel	23	HLA-6204	1	26 Tooth Gear
6	HL-6215	1	Shaft	24	HLA-6206	1	32 Tooth Gear
7	TL-6744	1	Key	25	HLA-6208	1	40 Tooth Gear
8	TL-6617	1	Ball Bearing	26	HL-9496	1	Spacer
9	118-8231-1	1	Retaining Ring	27	HL-9491	1	Bearing
10	HL-6745	1	48 Tooth Gear	28	HL-6282	1	Cluster Shaft
11	HLA-6213	1	33 Tooth Gear	29	HLA-6209	1	54 Tooth Gear
12	TL-6276	1	Key	30	HLA-6207	1	36 Tooth Gear
13	TA-6231	1	Key	31	HLA-6205	1	28 Tooth Gear
14	HLA-6747	1	22 Tooth Gear	32	HLA-6023	1	24 Tooth Gear
15	TL-6482		.005 Shim	33	HLA-6224	1	22 Tooth Gear
16	TL-6480		.001 Shim	34	HL-9495	1	Lock Nut
17	137-8231-1	1	Retaining Ring	35	TL-6233	1	Spacer
18	TL-6278	1	Key	36	TL-6280	1	Gear Screw

WHEN ORDERING PARTS, GIVE KEY NUMBER, PART NUMBER AND PART NAME. BE SURE TO GIVE COMPLETE SERIAL NUMBER WHICH IS STAMPED ON TAILSTOCK END OF THE BED.

CLUSTER SHAFT AND CHANGE SHAFT PARTS LIST FOR MODEL HLV-H MACHINES



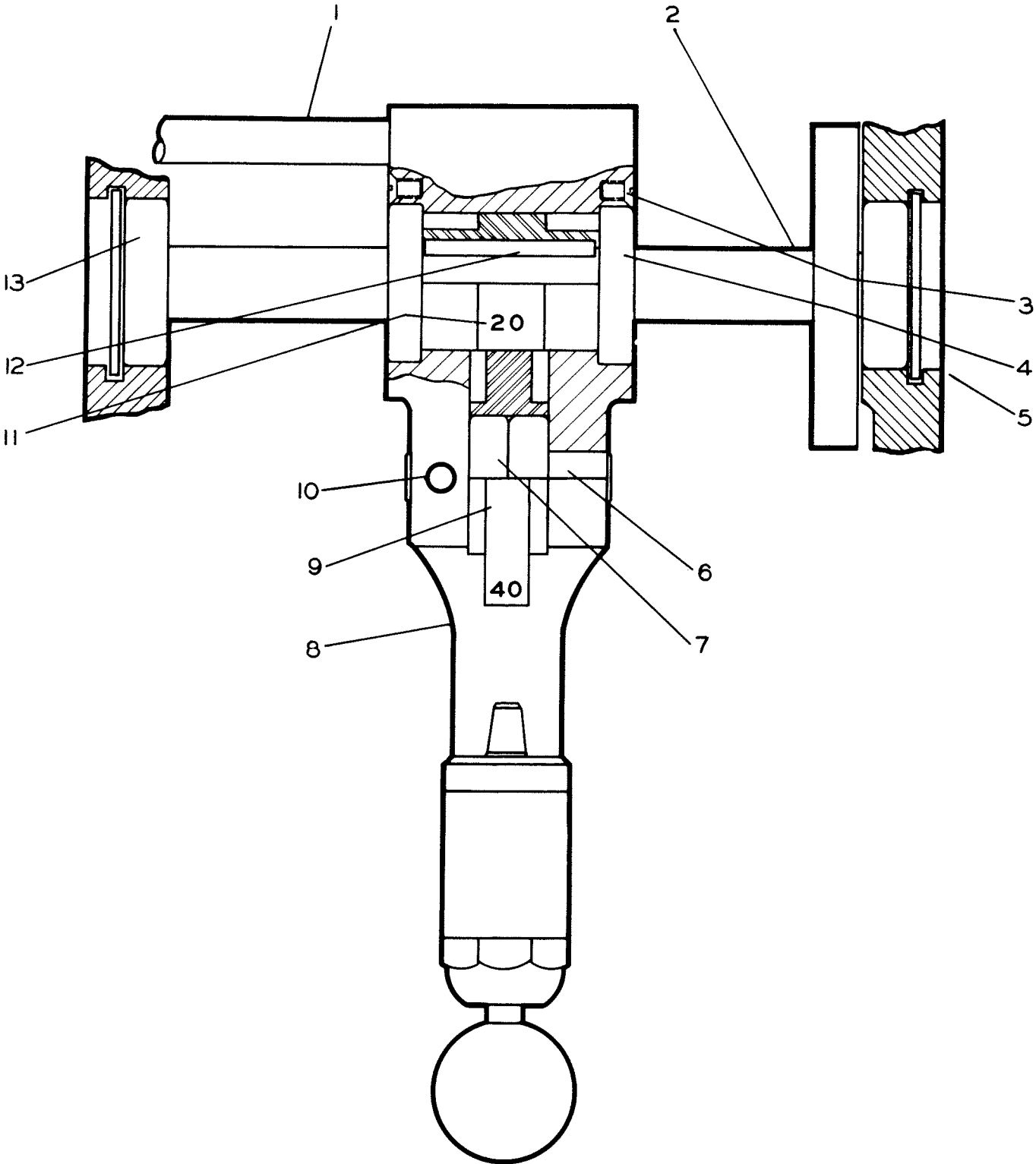
HARDINGE BROTHERS, INC., ELMIRA, NEW YORK, U.S.A.

GEARBOX TUMBLER AND SHAFT ASSEMBLY PARTS LIST

KEY	PART NUMBER	PCS.	PART NAME	KEY	PART NUMBER	PCS.	PART NAME
1	HL-9490	1	Interlock Shaft	7	RA-7909	2	Idler Bearing
2	HLC-6767	1	Tumbler Shaft & Gear	8	HLA-6268	1	Tumbler Body
3	450105	2	Bearing Screw	9	HL-6225	1	40 Tooth Idler Gear
4	HL-10442	2	Bearing	10	550303	1	Screw
5	118-8231-1	2	Retaining Ring	11	HLB-6228	1	20 Tooth Gear
6	HL-6232	1	Shaft	12	TA-6231	1	Key
				13	TL-6617	2	Bearing

WHEN ORDERING PARTS, GIVE KEY NUMBER, PART NUMBER AND PART NAME. BE SURE TO GIVE COMPLETE SERIAL NUMBER WHICH IS STAMPED ON TAILSTOCK END OF THE BED

GEARBOX TUMBLER AND SHAFT ASSEMBLY PARTS LIST FOR MODEL HLV-H MACHINES



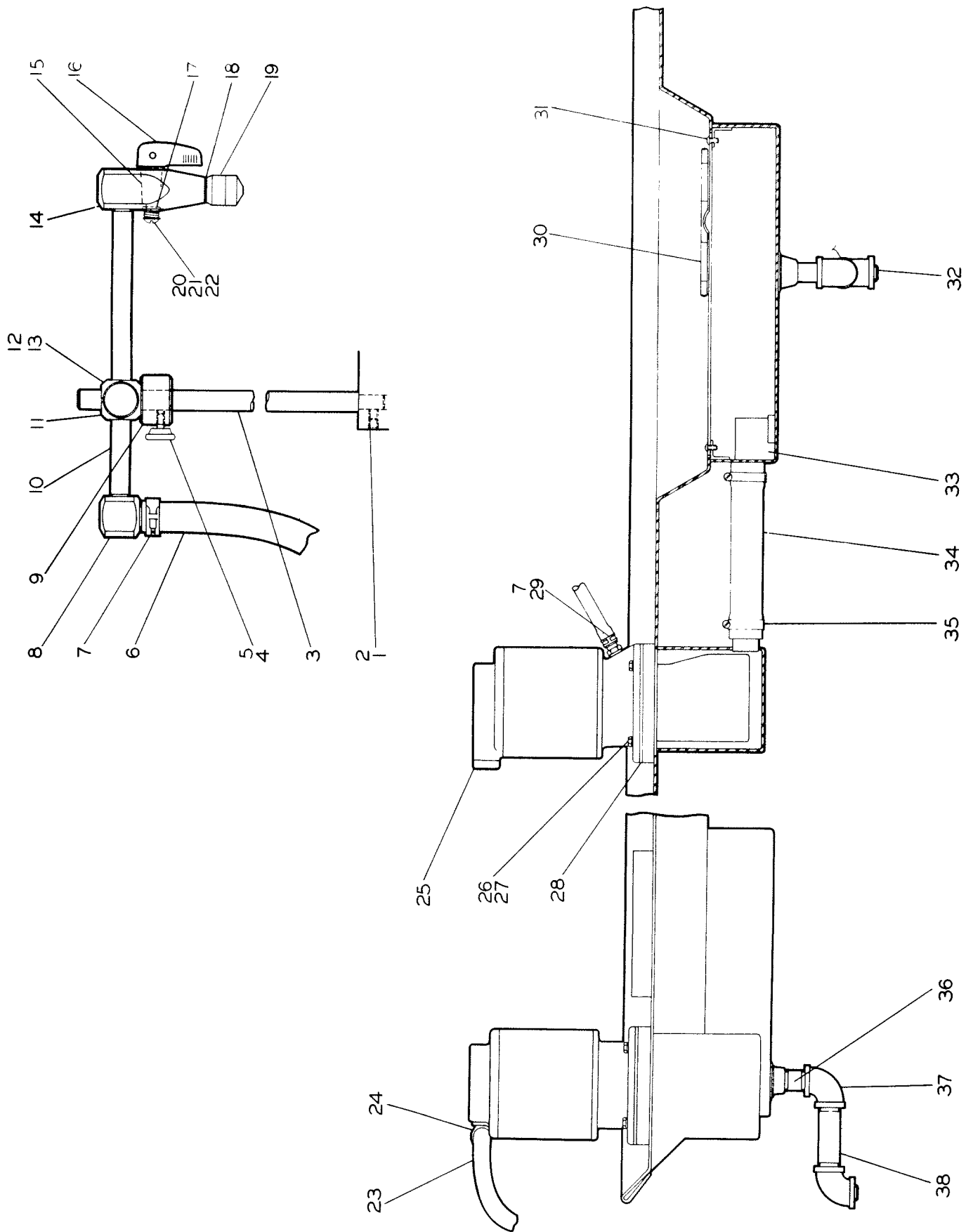
HARDINGE BROTHERS, INC., ELMIRA, NEW YORK, U.S.A.

COOLANT FACILITIES PARTS LIST

KEY	PART NUMBER	PCS.	PART NAME	KEY	PART NUMBER	PCS.	PART NAME	KEY	PART NUMBER	PCS.	PART NAME
1	6W-9450	1	Brass Plug	14	OFA-9467	1	Valve Body	27	CM-2845	4	Lockwasher
2	OR-9471	1	Thumb Screw	15	OF-10059	1	Valve Insert	28	RA-8226	1	Gasket
3	HL-9926	1	Upright	16	OF-10060	1	Valve Lever	29	R-8384	1	Hose Connection
4	U-4901	1	Brass Plug	17	OF-10061	1	Washer	30	VD-8686	1	Sump Cover
5	OR-9471	1	Thumb Screw	18	OFA-9431	1	"O" Ring	31	300608	4	Screw
6	40-6965	1	Hose	19	OFB-9468	1	Oil Nozzle	32	MD-3487	1	Plug
7	UA-6966	1	Hose Clamp	20	OF-10058	1	Spring	33	LH-3313	1	Sump Screen
8	OFA-9928	1	Elbow	21	CP-1067	1	Washer	34	LH-8221	1	Hose
9	OF-10412	1	Support	22	350304	1	Screw	35	LH-6966	2	Hose Clamp
10	OFL-9924	1	Elbow Support	23	50-10229	1	Conduit	36	2-10109	1	Close Nipple
11	OFA-9929	1	Slide Connector	24	50-10225	1	Connector	37	JL-10110	2	Elbow
12	UA-8710	2	Thumb Screw	25	LH-3325	1	Pump	38	4-10109	1	Pipe Nipple
13	FB-6919	2	Brass Plug	26	150514	4	Screw				

WHEN ORDERING PARTS, GIVE KEY NUMBER, PART NUMBER AND PART NAME. BE SURE TO GIVE COMPLETE SERIAL NUMBER WHICH IS STAMPED ON TAILSTOCK END OF THE BEE

COOLANT FACILITIES PARTS LIST FOR MODEL HLV-H MACHINES



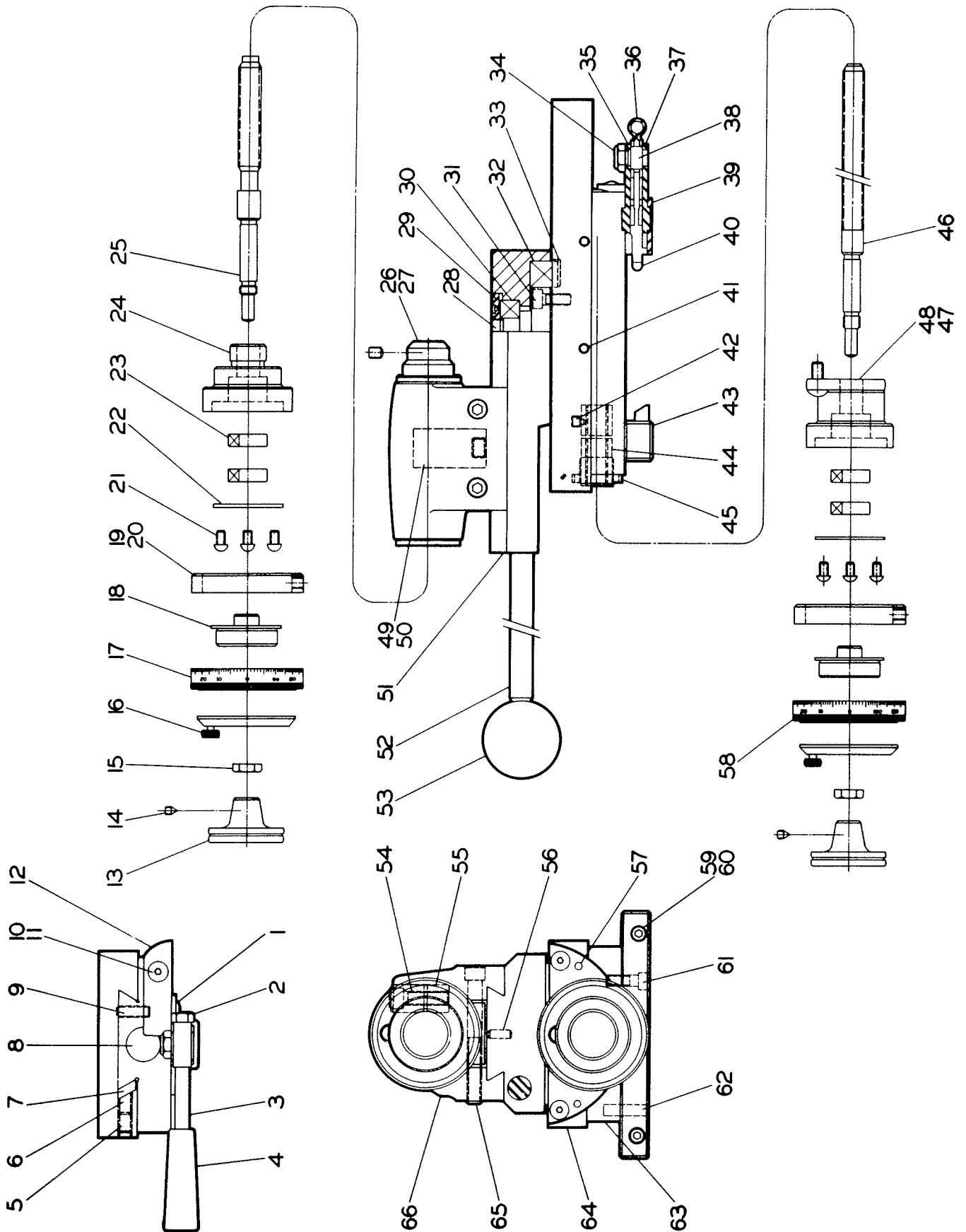
HARDINGE BROTHERS, INC., ELMIRA, NEW YORK, U.S.A.

RADIUS TURNING ATTACHMENT PARTS LIST

KEY	PART NUMBER	PCS.	PART NAME	KEY	PART NUMBER	PCS.	PART NAME	KEY	PART NUMBER	PCS.	PART NAME
1	300508	2	Screw	23	LH-7909	2pr.	Bearing	45	DSA-1950	1	Nut
2	CM-2843	1	Nut	24	RTB-407	1	End Bearing	46	DSA-325	1	Lower Feed Screw
3	DS-6158	1	Handle	25	RTA-9103	1	Feed Screw	47	DSB-343	1	End Cap
4	DS-6126	1	Knob	26	RTA-9115	1	Spindle	48	300610	2	Screw
5	550807	1	Screw	27	560605	1	Screw	49	RT-402	1	Nut
6	RT-9114	1	Locking Plug	28	RTA-9108	1	Pivot Post	50	5-4167	1	Pipe Plug
7	RB-370	1	Gib	29	RT-9109	1	Bearing Nut	51	RTA-9106	1	Swivel Base
8	DS-9193	1	Expansion Plug	30	RT-9227	1	Upper Bearing	52	RTA-9120	1	Lever
9	N-590512	1	Screw	31	100610	4	Screw	53	RT-9119	1	Ball
10	300306	1	Screw	32	RT-11064	1	Lower	54	100714	1	Screw
11	DS-10568	1	Bushing	33	RT-7852	1	Sealing Ring	55	RT-9111	1	Binding Nut
12	DS-10509	1	Safety Latch	34	DS-331	1	Nut	56	TL-6615	2	Dowel
13	RT-9104	2	Handle	35	DSU-8293	1	Upper Link	57	CD-4629	2	Dowel
14	RTA-9113	2	Lock Screw	36	DS-8291	1	Link	58	HLE-10335-2	1	Dial & Support Assembly
15	R-331	2	Nut	37	DSL-8293	1	Lower Link	59	550704	4	Screw
16	HL-10246	2	Washer & Screw Assembly	38	DS-8292	1	Adjusting Screw	60	6A-9423	2	Lock Plug
17	HLE-10335-1	1	Dial & Support Assembly	39	DS-8716	1	Bracket	61	100512	2	Screw
18	LH-334	1	Bushing	40	DS-8290	1	Plunger	62	R-4853	2	Pin
19	LH-407-1	2	Zero Ring	41	N-550316	4	Gib Screw	63	LHA-11043	1	Base
20	550504	2	Screw	42	590504	1	Screw	64	LHA-9107	1	Bottom Slide
21	350305	8	Screw	43	6F-372	1	Bed Stop	65	100844	1	Screw
22	R-7893	2	Plate	44	DSA-328	1	Feed Screw Nut	66	RTB-9101	1	Tool Holder Body

WHEN ORDERING PARTS, GIVE KEY NUMBER, PART NUMBER AND PART NAME. BE SURE TO GIVE COMPLETE SERIAL NUMBER WHICH IS STAMPED ON TAILSTOCK END OF THE BED

RADIUS TURNING ATTACHMENT PARTS LIST FOR MODEL HLV-H MACHINES



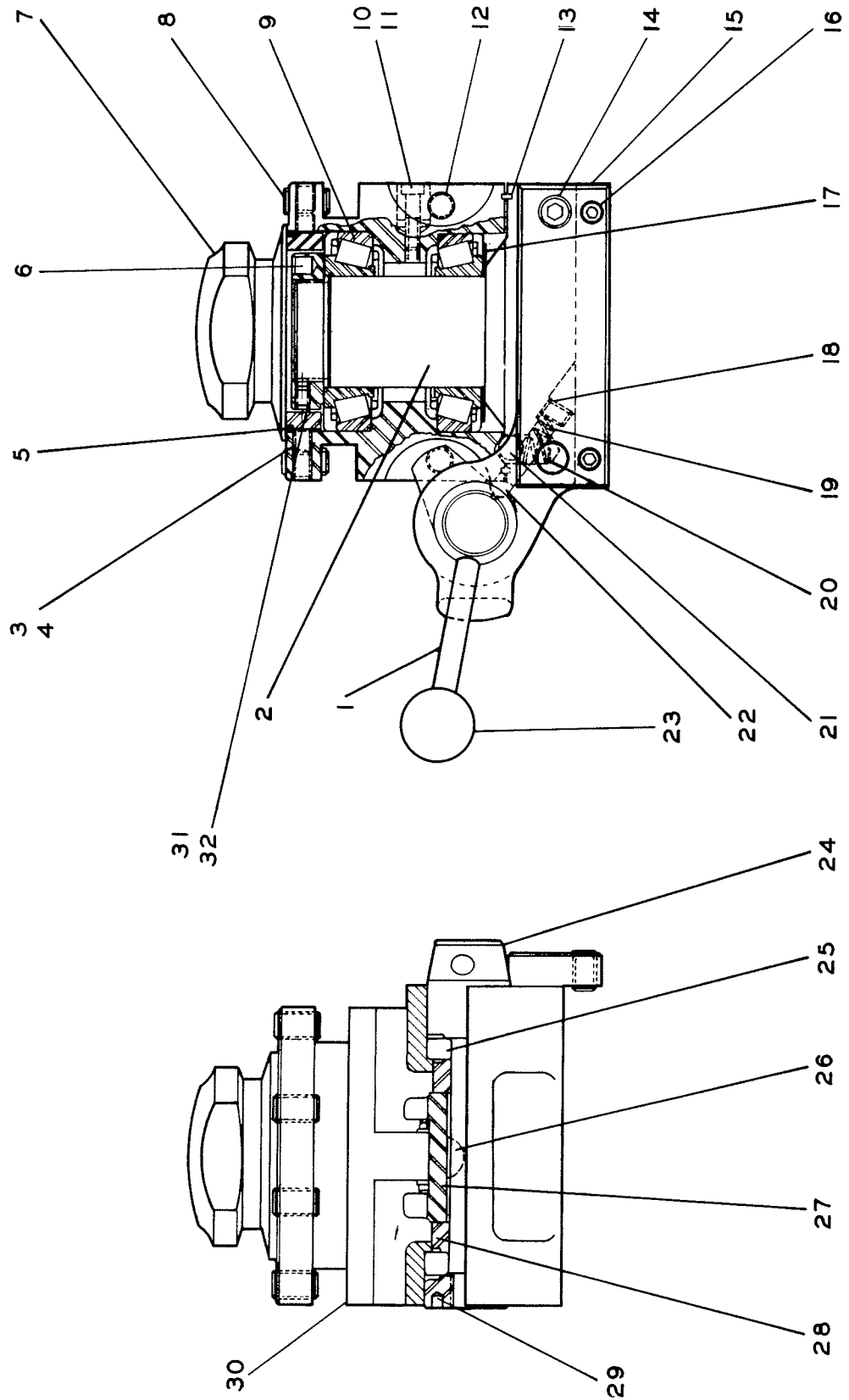
HARDINGE BROTHERS, INC., ELMIRA, NEW YORK, U.S.A.

FOUR STATION TURRET PARTS LIST

KEY	PART NUMBER	PCS.	PART NAME	KEY	PART NUMBER	PCS.	PART NAME	KEY	PART NUMBER	PCS.	PART NAME
1	LH-6158	1	Handle	12	LH-7204	4	Index Screw	23	TL-6126	1	Knob
2	LHA-7202	1	Base	13	LH-9916	1	Ring	24	LH-7219	1	Index Lock Shaft
3	550505	2	Screw	14	100812	2	Screw	25	LH-9174	2	Bearing
4	550506	2	Screw	15	LHA-11053	1	Adjusting Plate	26	3-1759	1	Woodruff Key
5	OR-4043	1	"O" Ring	16	LH-1083-1	2	Adjusting Screw	27	LH-7221	1	Index Lock
6	LHA-4068	1	Clamp Nut	17	LHA-9745	1	Shield	28	LH-8999	2	Spacer
7	LH-11062	1	Knob	18	550804	1	Screw	29	LH-9050	1	Nut
8	LH-1083	12	Screw	19	LH-7335	1	Spring	30	LHA-7201	1	Turret Body
9	LHA-8353	2	Roller Bearing	20	CW-8101	1	Spring	31	W37-483	1	Plug
10	100312	4	Screw	21	LH-6058	1	3/8" Diameter Ball	32	550304	1	Screw
11	LH-8081	4	Lock Plug	22	LH-7208	1	Plunger				

WHEN ORDERING PARTS, GIVE KEY NUMBER, PART NUMBER AND PART NAME. BE SURE TO GIVE COMPLETE SERIAL NUMBER WHICH IS STAMPED ON TAILSTOCK END OF THE BED

FOUR STATION TURRET PARTS LIST FOR MODEL HLIV-H MACHINES

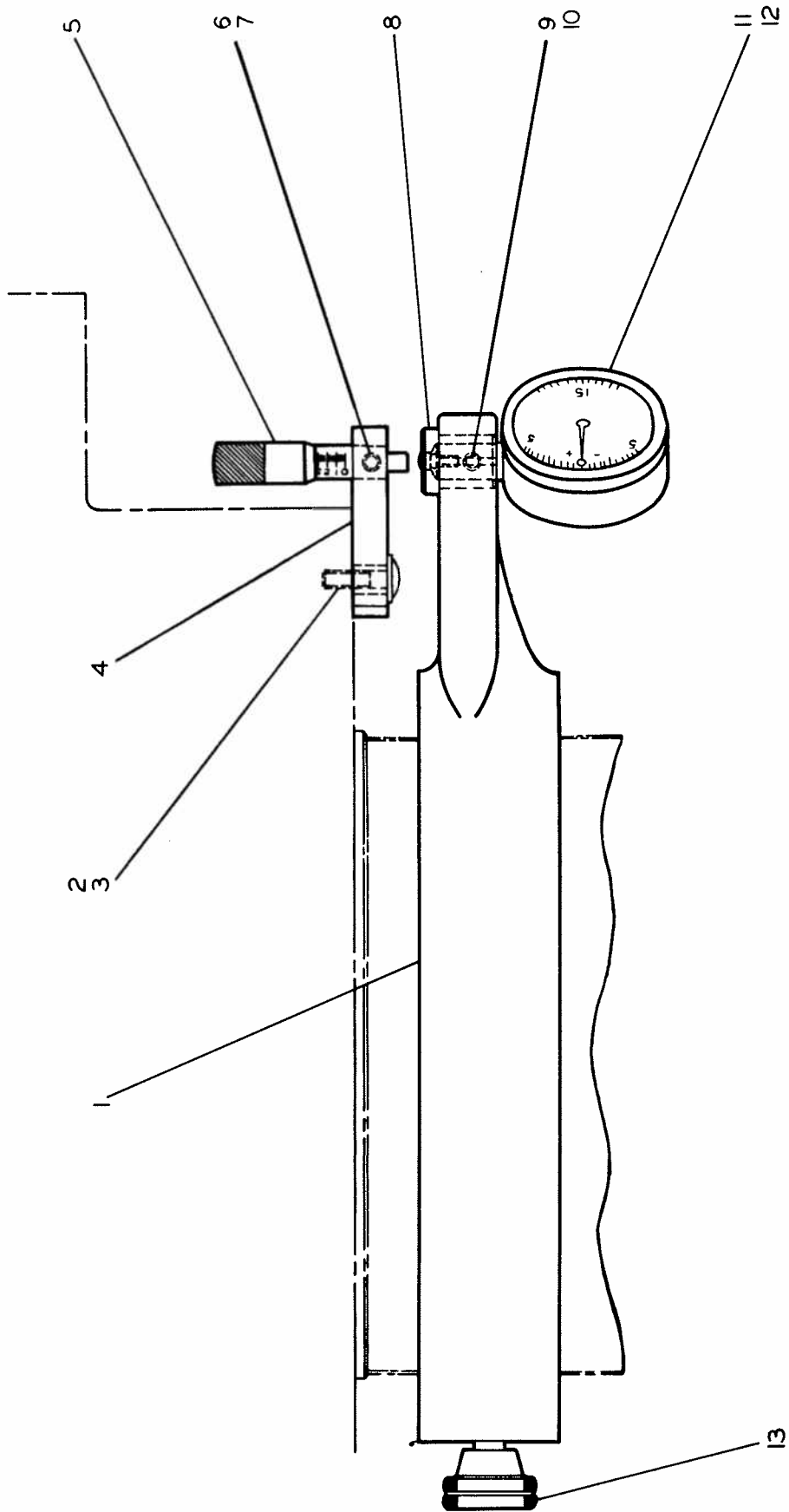


HARDINGE BROTHERS, INC., ELMIRA, NEW YORK, U.S.A.

KEY	PART NUMBER	PCS.	PART NAME	KEY	PART NUMBER	PCS.	PART NAME	KEY	PART NUMBER	PCS.	PART NAME
1	LH-10034	1	Stop Body	5	HL-10040	1	Micrometer Head	9	HL-4901	1	Brass Plug
2	300412	1	Screw	6	HL-4901	1	Brass Plug	10	550403	1	Screw
3	BMD-3623	1	Washer	7	550304	1	Screw	11	HL-10037	1	Dial Indicator
4	LH-10035	1	Bracket	8	HLB-10036	1	Bushing	12	HL-10038	1	Contact Point
								13	HLA-10039	1	Clamping Screw

WHEN ORDERING PARTS, GIVE KEY NUMBER, PART NUMBER AND PART NAME. BE SURE TO GIVE COMPLETE SERIAL NUMBER WHICH IS STAMPED ON TAILSTOCK END OF THE BED

MICROMETER STOP PARTS LIST FOR MODEL HLV-H MACHINES



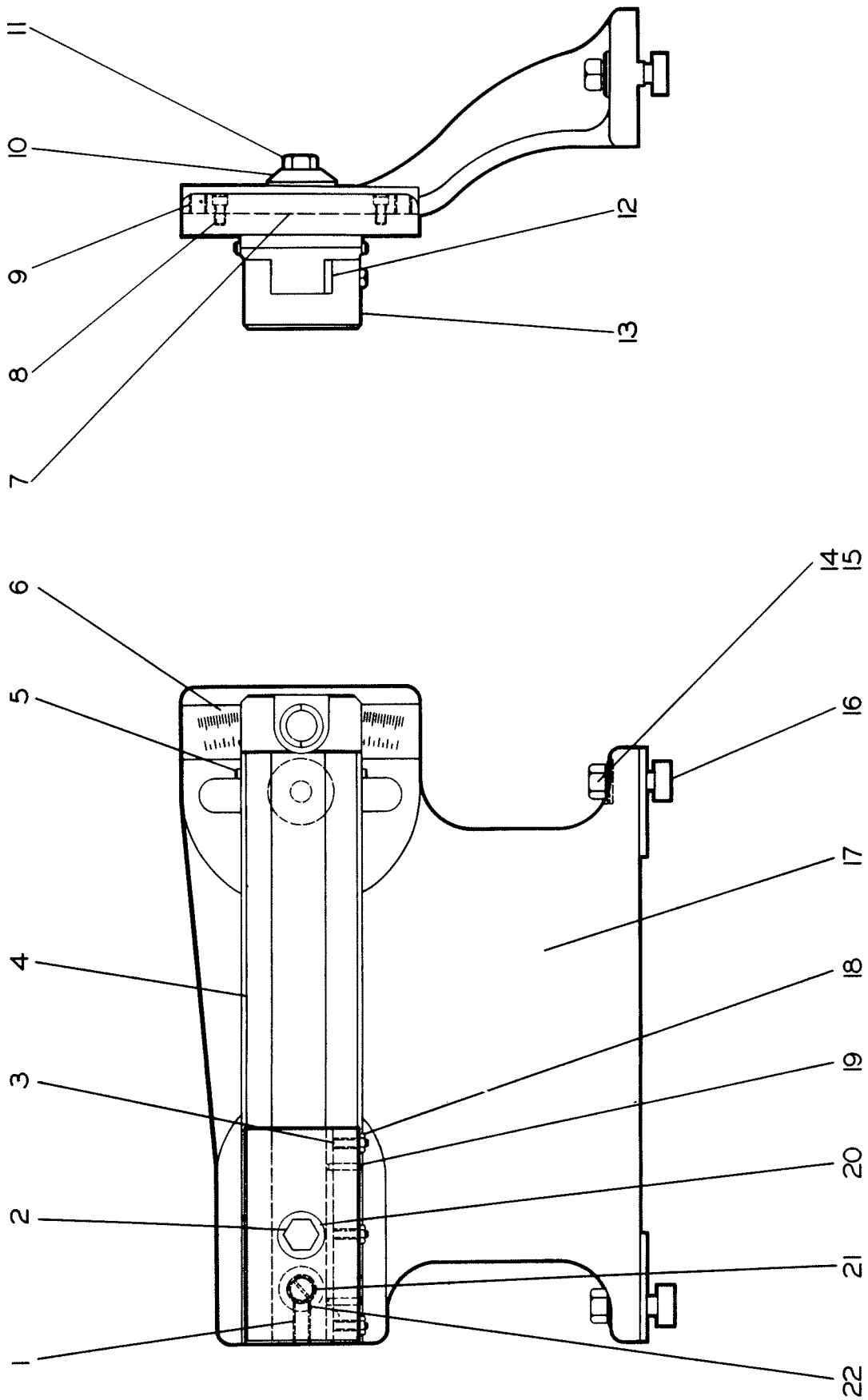
HARDINGE BROTHERS, INC., ELMIRA, NEW YORK, U.S.A.

TAPER ATTACHMENT ASSEMBLY PARTS LIST

KEY	PART NUMBER	PCS.	PART NAME	KEY	PART NUMBER	PCS.	PART NAME	KEY	PART NUMBER	PCS.	PART NAME
1	550710	1	Screw	8	100306	2	Screw	15	37-641	2	Washer
2	LH-6827	1	Lock Bolt	9	LH-1048	2	Push Screw	16	HL-6341	2	Draw Bolt
3	550310	3	Screw	10	TA-6345	1	Washer	17	LH-6461	1	Bracket
4	LH-6463	1	Slide	11	150928	1	Screw	18	37A-361	3	Nut
5	TL-6615	2	Pin	12	TL-6472	1	Gib	19	TL-6469	2	Dowel
6	LH-11014	1	Indicator	13	TA-6462	1	Shoe	20	37-641	1	Washer
7	LH-6481	1	Shim	14	TL-6470	2	Nut	21	TL-6298	1	Swivel Stud
								22	TL-6466	1	Brass Plug

WHEN ORDERING PARTS, GIVE KEY NUMBER, PART NUMBER AND PART NAME. BE SURE TO GIVE COMPLETE SERIAL NUMBER WHICH IS STAMPED ON TAILSTOCK END OF THE BED

TAPER ATTACHMENT PARTS LIST FOR MODEL HLV-H MACHINES



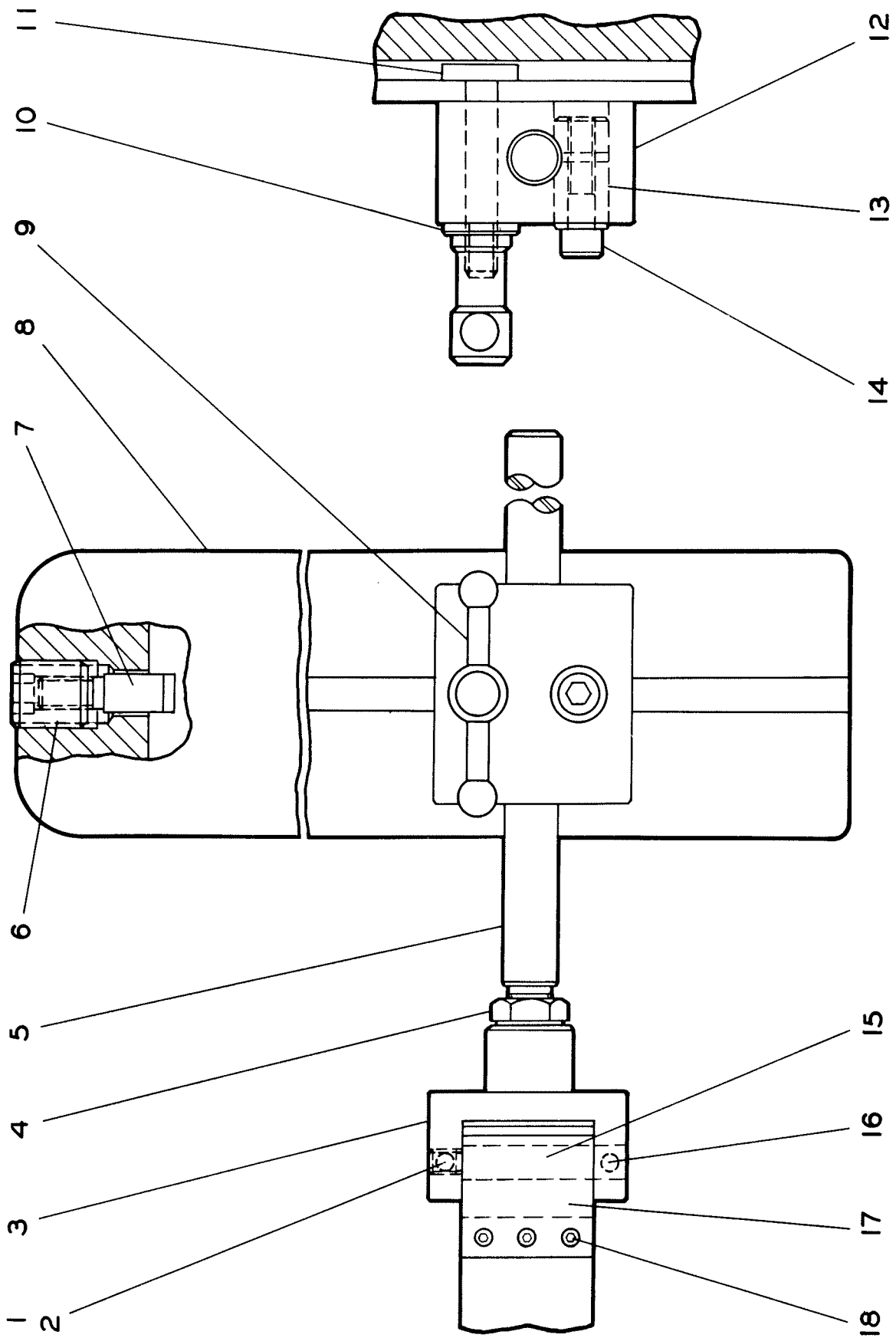
HARDINGE BROTHERS, INC., ELMIRA, NEW YORK, U.S.A.

CONTOUR TRACING ATTACHMENT - VIEW I

KEY	PART NUMBER	PCS.	PART NAME	KEY	PART NUMBER	PCS.	PART NAME	KEY	PART NUMBER	PCS.	PART NAME
1	37-483	1	Brass Plug	7	DT-9094	1	Locking Plug	13	PTA-635	1	Binding Nut
2	550305	1	Screw	8	PT-10547	1	Bed Adapter	14	100820	1	Screw
3	PT-8347	1	Body	9	DS-347	1	Tool Post Handle	15	PT-9120	1	Shaft for Template Holder
4	5-1466	1	Nut	10	37-641	1	Washer	16	550305	1	Screw
5	PT-9663	1	Extension Shaft	11	PT-461	1	Hold Down Bolt	17	PT-11217	1	Template Holder
6	6-9095	1	Locking Screw	12	PTA-463	1	Block	18	550306	3	Screw

WHEN ORDERING PARTS, GIVE KEY NUMBER, PART NUMBER, PART NAME AND MODEL NUMBER OF TRACING ATTACHMENT

CONTOUR TRACING ATTACHMENT - VIEW I FOR MODEL HLV-H MACHINES



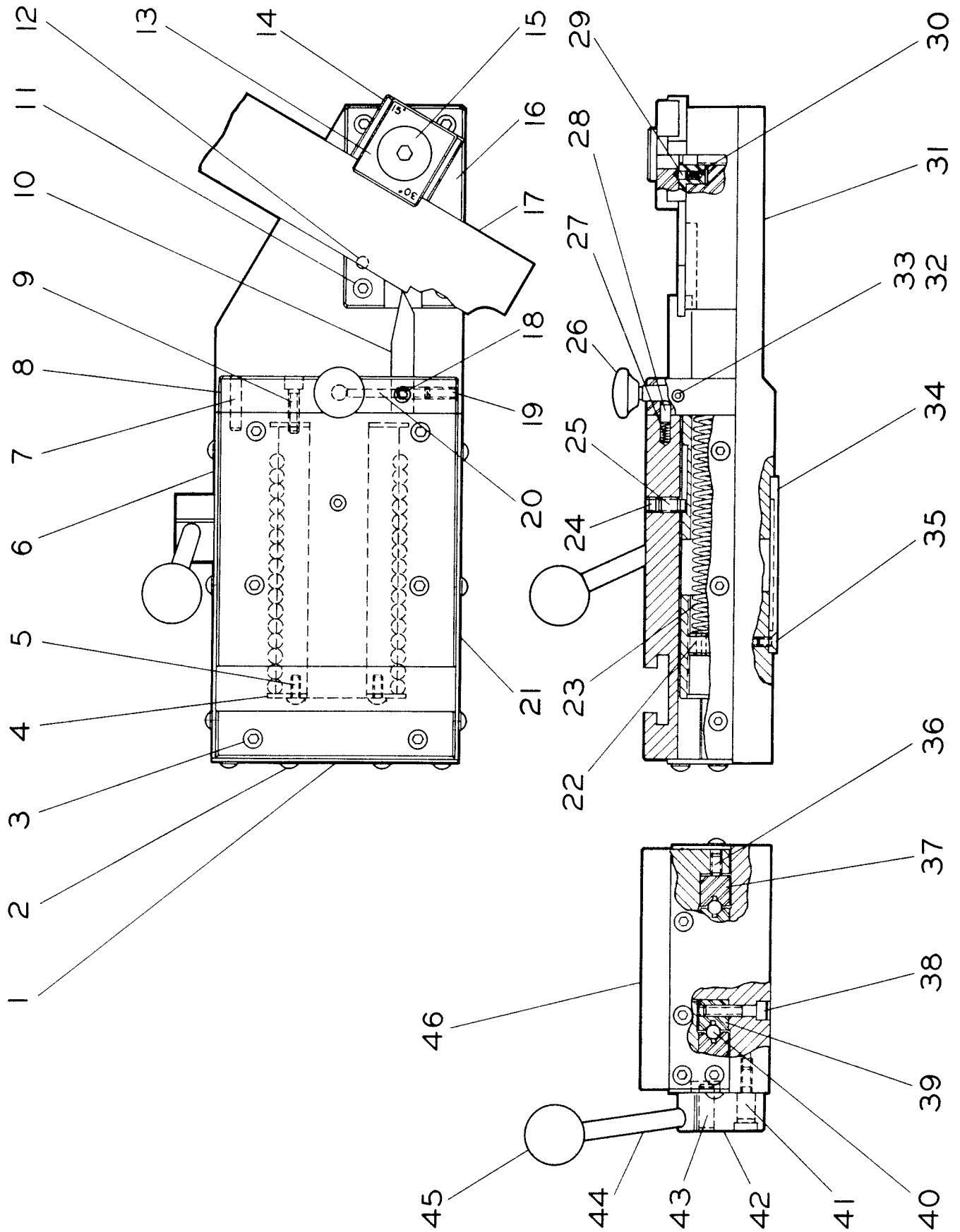
HARDINGE BROTHERS, INC., ELMIRA, NEW YORK, U.S.A.

CONTOUR TRACING ATTACHMENT - VIEW II

KEY	PART NUMBER	PCS.	PART NAME	KEY	PART NUMBER	PCS.	PART NAME	KEY	PART NUMBER	PCS.	PART NAME
1	PT-8050-2	1	Wiper	16	PT-1976	1	Support Block	32	570304	1	Screw
2	IH-10465	12	Screw	17	PT-11368	1	Template	33	550308	1	Screw
3	100320	6	Screw	18	570506	1	Screw	34	6A-8648	1	Pilot Ring
4	PT-11354	4	Ball Retainer	19	550308	1	Screw	35	450105	2	Screw
5	300206	4	Screw	20	U-2304	1	Set Screw	36	N-560306	2	Screw
6	PT-8050-1	1	Wiper	21	PT-8050	1	Wiper	37	PT-8321-1	2	Outer Track
7	5A-1977	2	Dowel	22	HM-6160	1	Adjusting Screw	38	100314	4	Screw
8	PT-340	1	End Cap	23	PT-724	1	Spring	39	PT-8321	2	Inner Track
9	100312	4	Screw	24	550603	1	Screw	40	CT-6058	32	Steel Ball
10	PT-11356	1	Stylus	25	U-4650	1	Key	41	PT-3916	1	Shoulder Screw
11	100314	4	Screw	26	PT-279	1	Stop Pin	42	PT-7258	1	Pivot Block
12	CD-4630	2	Dowel Pin	27	37-490	1	Spring	43	R-4853	1	Dowel Pin
13	PT-8313	1	Top for Swivel	28	IH-345	1	Detent	44	IH-6158	1	Handle
14	PT-11355	1	Swivel for Template	29	PT-345	2	Detent	45	TL-6126	1	Knob
15	PT-1338	1	Screw for Template	30	HCB-10311	2	Spring	46	PT-357	1	Top Slide
				31	PT-362	1	Base				

WHEN ORDERING PARTS, GIVE KEY NUMBER, PART NUMBER, PART NAME AND MODEL NUMBER OF TRACING ATTACHMENT

CONTOUR TRACING ATTACHMENT - VIEW II FOR MODEL HLV-H MACHINES



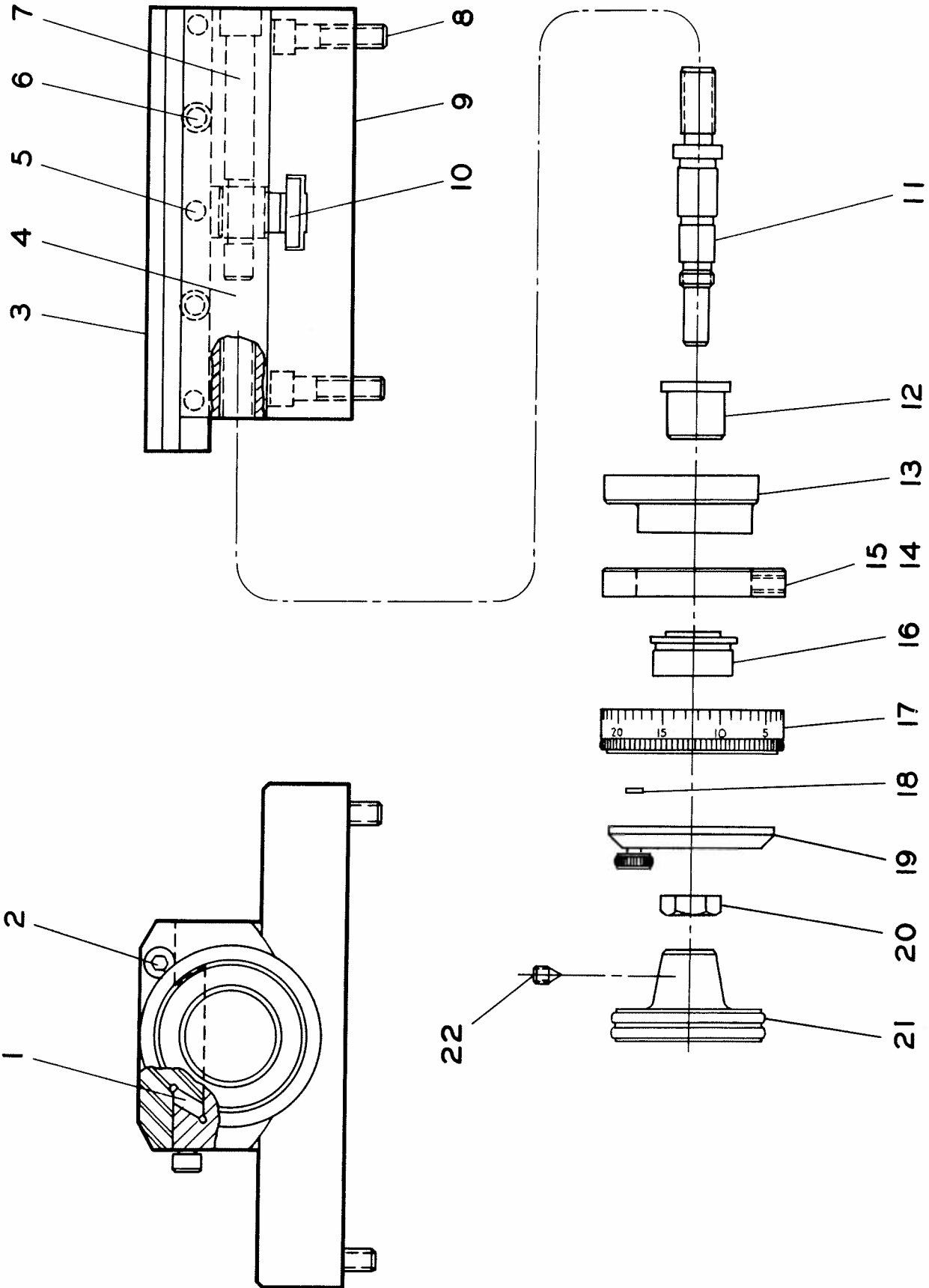
HARDINGE BROTHERS, INC., ELMIRA, NEW YORK, U.S.A.

REAR TOOL HOLDER SLIDE PARTS LIST

KEY	PART NUMBER	PCS.	PART NAME	KEY	PART NUMBER	PCS.	PART NAME	KEY	PART NUMBER	PCS.	PART NAME
1	IH-453	1	Gib	8	100616	4	Screw	15	550306	1	Screw
2	100308	2	Screw	9	IH-463	1	Base	16	IH-334-1	1	Bushing
3	IH-9106	1	Tool Holder Slide	10	37-465	2	Draw Bolt	17	IH-10335	1	Dial Assembly
4	IH-455	1	Tool Holder Base	11	IH-9103	1	Feed Screw	18	U-10245	1	Nylon Plug
5	M550306	3	Set Screw	12	IH-4144	1	Bearing	19	69-10246	1	Dial Lock & Washer
6	100308	2	Screw	13	IH-343	1	End Cap	20	R-331	1	Nut
7	IH-466	2	Lock Bolt	14	IH-407-2	1	Zero Ring	21	RT-9104	1	Handle
								22	RTA-9113	1	Lock Screw

WHEN ORDERING PARTS, GIVE KEY NUMBER, PART NUMBER AND PART NAME. BE SURE TO GIVE COMPLETE MODEL NUMBER WHICH IS STAMPED ON TOOL HOLDER SLIDE

REAR TOOL HOLDER SLIDE PARTS LIST



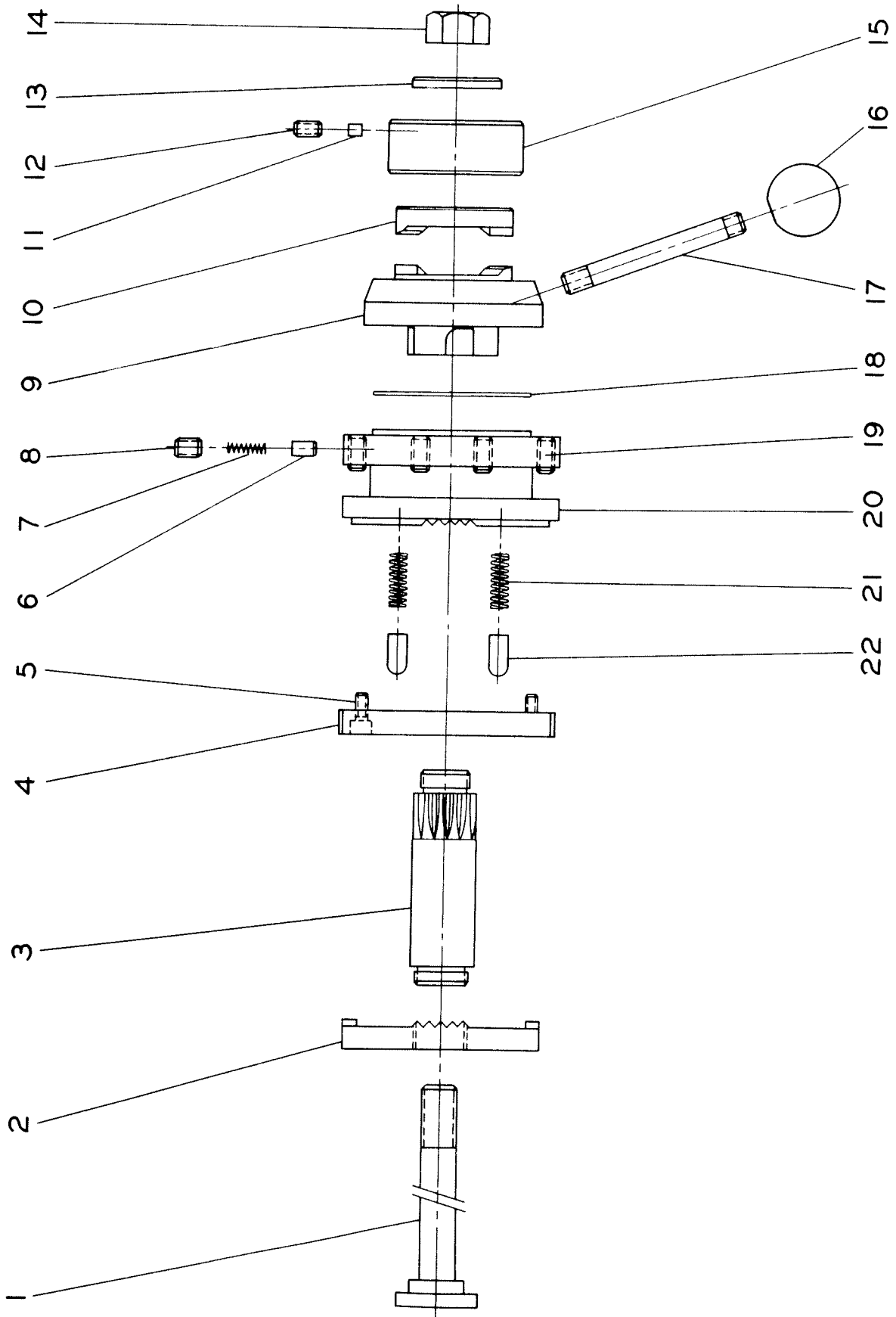
HARDINGE BROTHERS, INC., ELMIRA, NEW YORK, U.S.A.

SQUARE TURRET ASSEMBLY PARTS LIST

KEY	PART NUMBER	PCS.	PART NAME	KEY	PART NUMBER	PCS.	PART NAME	KEY	PART NUMBER	PCS.	PART NAME
1	AT-461	1	Draw Bolt	8	550506	1	Screw	15	AT-10413	1	Cover
2	AT-7202 or AT-7202-1	1	Turret Base*	9	AT-11250	1	Handle Support	16	TL-6126	1	Knob
3	AT-6655	1	Turret Base*	10	AT-10312	1	Face Cam	17	IH-6158	1	Handle
4	AT-9813	1	Post For Turret	11	47-483	1	Brass Plug	18	AT-9745	1	Ring
5	100206	1	Cover	12	550306	1	Screw	19	550508	12	Screw
6	AT-7208	4	Screw	13	MD-3248	1	Washer	20	AT-7201	1	Turret Body
7	6-9859	1	Plunger	14	5P-1957	1	Nut	21	HCT-7335	4	Spring
		1	Spring					22	AT-345	4	Plunger
			*When Ordering Please Give Model Number								

WHEN ORDERING PARTS, GIVE MODEL NUMBER, PART NUMBER AND PART NAME. BE SURE TO GIVE COMPLETE MODEL NUMBER WHICH IS STAMPED ON SIDE OF TURRET

SQUARE TURRET ASSEMBLY



HARDINGE BROTHERS, INC., ELMIRA, NEW YORK, U.S.A.

