



PARTS LIST
FOR
HARDINGE
SUPER-PRECISION
CHUCKING MACHINE

MODEL HC
AND
MODEL HC-R

STARTING SERIAL #100-A TO #1049-C

HARDINGE BROTHERS, INC.

ELMIRA, NEW YORK

PL-10

CHASING KNOCKOUT CONTROL PARTS LISTS - VIEW I

1 No.	Part Number	Part Name	Amt. Used	Key No.	Part Number	Part Name	Amt. Used
1	FB-473	Ball Handle	1	28	FN-3182	Nut	1
2	37-622	Washer	2	29	CW-7193	Adjusting Screw	1
3	C-5P-1957	Nut	1	30	CT-7360	Chasing Bar	1
4	15444	Screw	1	31	R-8044	Escutcheon Pin	4
5	5P-6434	Lockwasher	1	32	CTA-256	Name Plate	1
6	CT-7311	Support	1	33	31-8231-2	Snap Ring	3
7	200-8231-2	Snap Ring	1	34	CT-9764	Spring	2
8	100716	Screw	1	35	CT-7372	Trip Screw	1
9	CT-10542	Spacer	1	36	DVB-10224	Micro Switch	2
10	CT-10124	Seal	2	37	350132	Screw	2
11	CT-6058	Balls		38	SL-8137	Lockwasher	2
12	CT-8998	Spacer	1	39	MN-8138	Nut	2
13	CT-9363	Thrust Bearing	1	40	CT-11095	Mount	1
14	CT-11083	Spacer	1	41	CT-9841	Trip Block	1
15	CT-10770	Spacer	1	42	CT-11094	Tripper	1
16	CT-11077	Bearing Race	2	43	5-1467	Plug	3
17	CT-11076	Bushing	2	44	101016	Screw	4
18	100212	Screw	2	45	CT-10805	Cable Grip	2
19	CT-11080	Support Block	1	46	10-9431	"O" Ring	4
20	CD-8426	Dowel Pin	3	47	OR-0710	"O" Ring	2
21	HC-9895	Spring	1	48	CT-10806	Nut	2
22	CT-9935-1	Adjusting Plug	1	49	CT-9935	Plug	1
23	125-8231-1	Snap Ring	1	50	CD-4641	Dowel Pin	1
24	CT-10412	Collar	1	51	CT-4025	Chasing Bar Lock	1
25	550303	Screw	3	52	CW-7370	Stud	1
26	101024	Locking Screw	2	53	CW-9000	Clamp	1
27	CT-7194	Support Bracket	1	54	151428	Screw	1
				55	CT-9002	Handle	1

WHEN ORDERING PARTS, GIVE KEY NUMBER, PART NUMBER AND PART NAME. BE SURE TO GIVE COMPLETE SERIAL NUMBER WHICH IS STAMPED ON KNOCKOUT CONTROL - VIEW I

HOW TO ORDER REPAIR PARTS

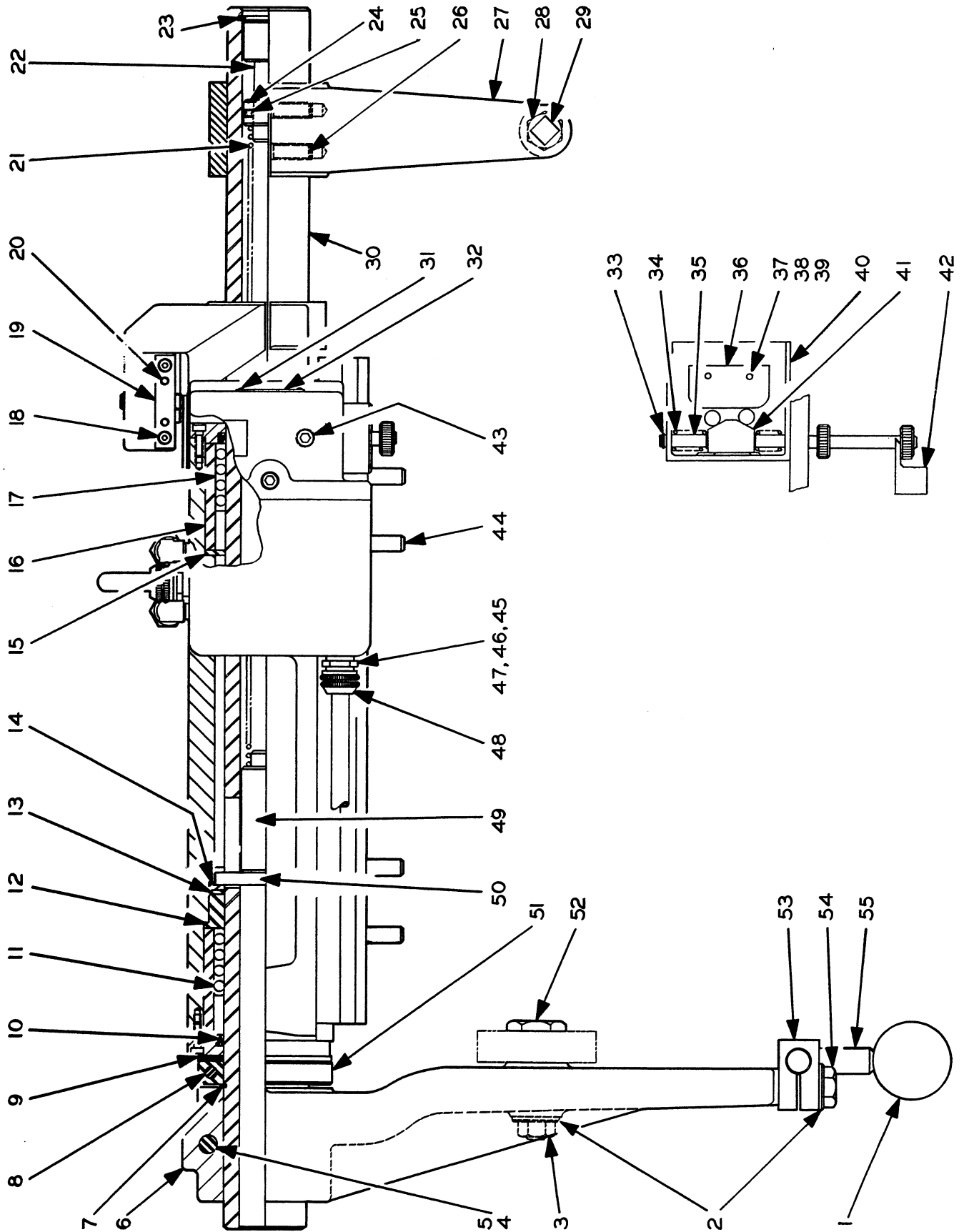
You Will Receive Quicker And Better Service When Ordering Repair Parts If You Will Follow The Instructions Below.

These Four Requirements Are Essential:

1. State Amount Required.
2. Give Key Number, Part Number And Name Of Part.
3. Give Complete Serial Number Of The Machine. (This Is Located On The Back Of The Bed At The Right Hand End.) For Automatic Threading Unit, Advise Model Number Which Is Located On Knockout Control - View II.
4. Specify How And Where To Ship.

CHASING KNOCKOUT CONTROL PARTS LIST - VIEW I

FOR MODEL HC MACHINES



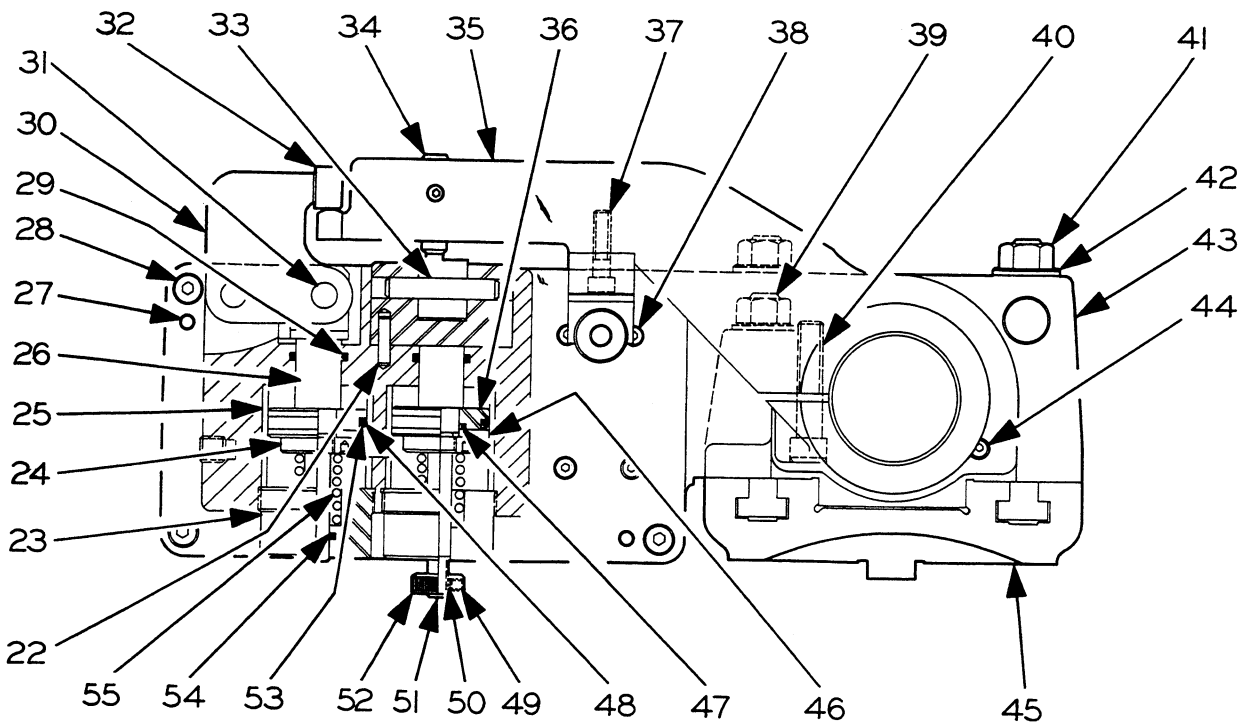
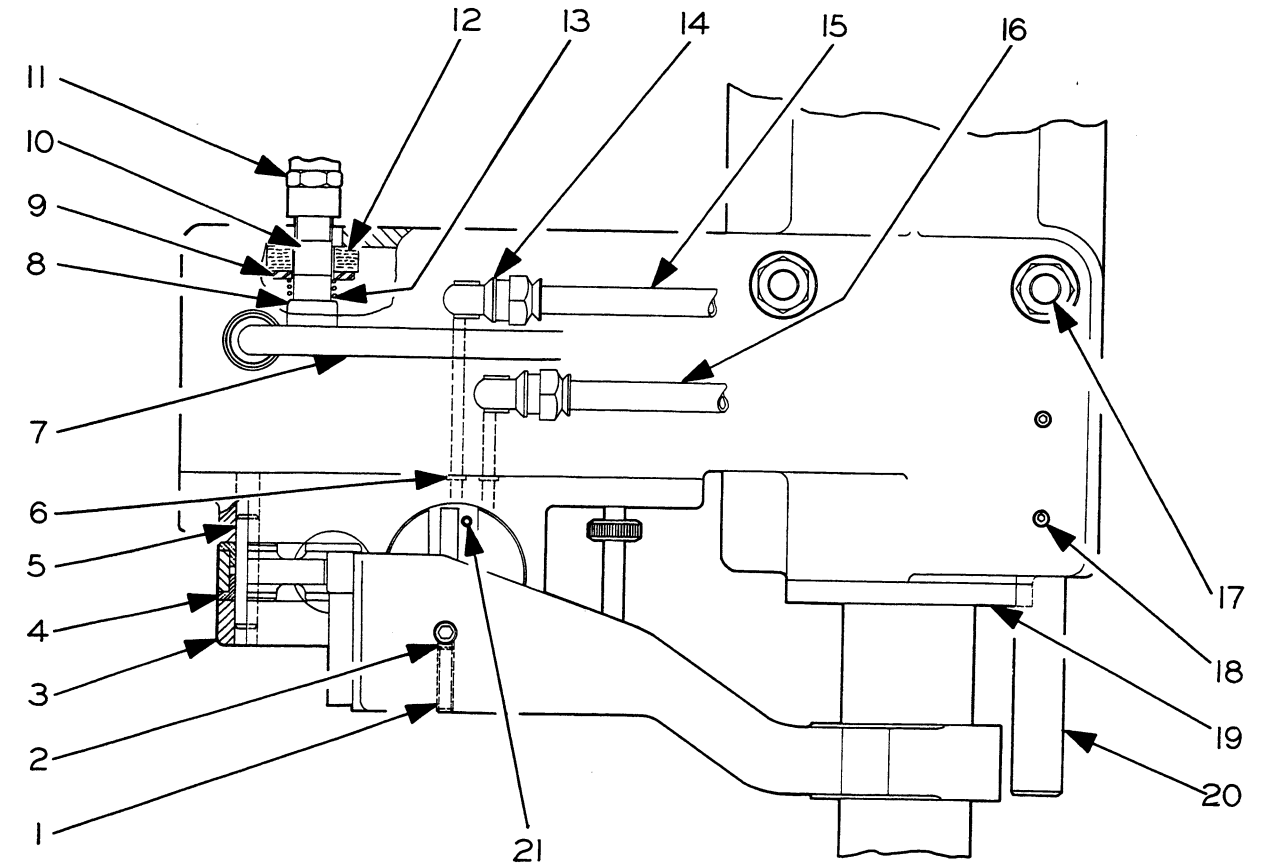
CHASING KNOCKOUT CONTROL PARTS LIST - VIEW II

Key No.	Part Number	Part Name	Amt. Used	Key No.	Part Number	Part Name	Ar Us
1	550516	Screw	1	29	OR-1114	"O" Ring	2
2	U-4901	Brass Plug	1	30	CT-11072	Bracket	1
3	CT-10234	Valve Housing	1	31	TL-6537	Dowel Pin	1
4	CT-11093	Bushing	2	32	CT-11089	Cam Follower	1
5	HCT-6642	Dowel Pin	1	33	CD-4638	Dowel Pin	1
6	OR-0305	"O" Ring	2	34	CT-7373-1	Screw	1
7	3011	Cord	-	35	CT-11086	Bar	1
8	CT-11090	Air Valve	1	36	CT-11075	Piston Ring	2
9	LH-2068	Washer	1	37	100516	Screw	1
10	CT-11092	Nipple	1	38	100306	Screw	4
11	CT-11096	Coupling	1	39	CT-2011-S	Tee Bolt	2
12	CT-7367	Felt	1	40	101028	Screw	1
13	CT-6553	Spring	1	41	5-2012	Nut	2
14	AUA-10786	Male Pipe Elbow	2	42	LH-2068	Washer	1
15	CT-10788-1	Flexible Hose	-	43	CT-7309	Bar Holder	1
16	CT-10788-2	Flexible Hose	-	44	100310	Screw	6
17	CT-2011-L	Tee Bolt	2	45	CT-11088	Base	1
18	550505	Screw	2	46	CT-11073	Piston Ring	2
19	CT-8059	Cap	2	47	OR-0911	"O" Ring	2
20	CT-11074	Stop Rod	1	48	CT-11097	Seal	2
21	CT-7373	Screw	2	49	550303	Screw	
22	CD-8426	Dowel Pin	3	50	37-706	Locking Plug	3
23	CT-11082	Nut	2	51	CT-11084	Piston	1
24	CT-9050	Nut	2	52	CT-10419	Adjusting Screw	3
25	CT-10771	Cylinder Liner	2	53	OR-2024	"O" Ring	2
26	CT-11085	Piston	1	54	OR-0608	"O" Ring	2
27	TL-6708	Dowel Pin	2	55	CT-11091	Spring	2
28	100512	Screw	4				

WHEN ORDERING PARTS, GIVE KEY NUMBER, PART NUMBER AND PART NAME. BE SURE TO GIVE COMPLETE SERIAL NUMBER WHICH IS STAMPED ON KNOCKOUT CONTROL - VIEW II

CHASING KNOCKOUT CONTROL PARTS LIST - VIEW II

FOR MODEL HC MACHINES



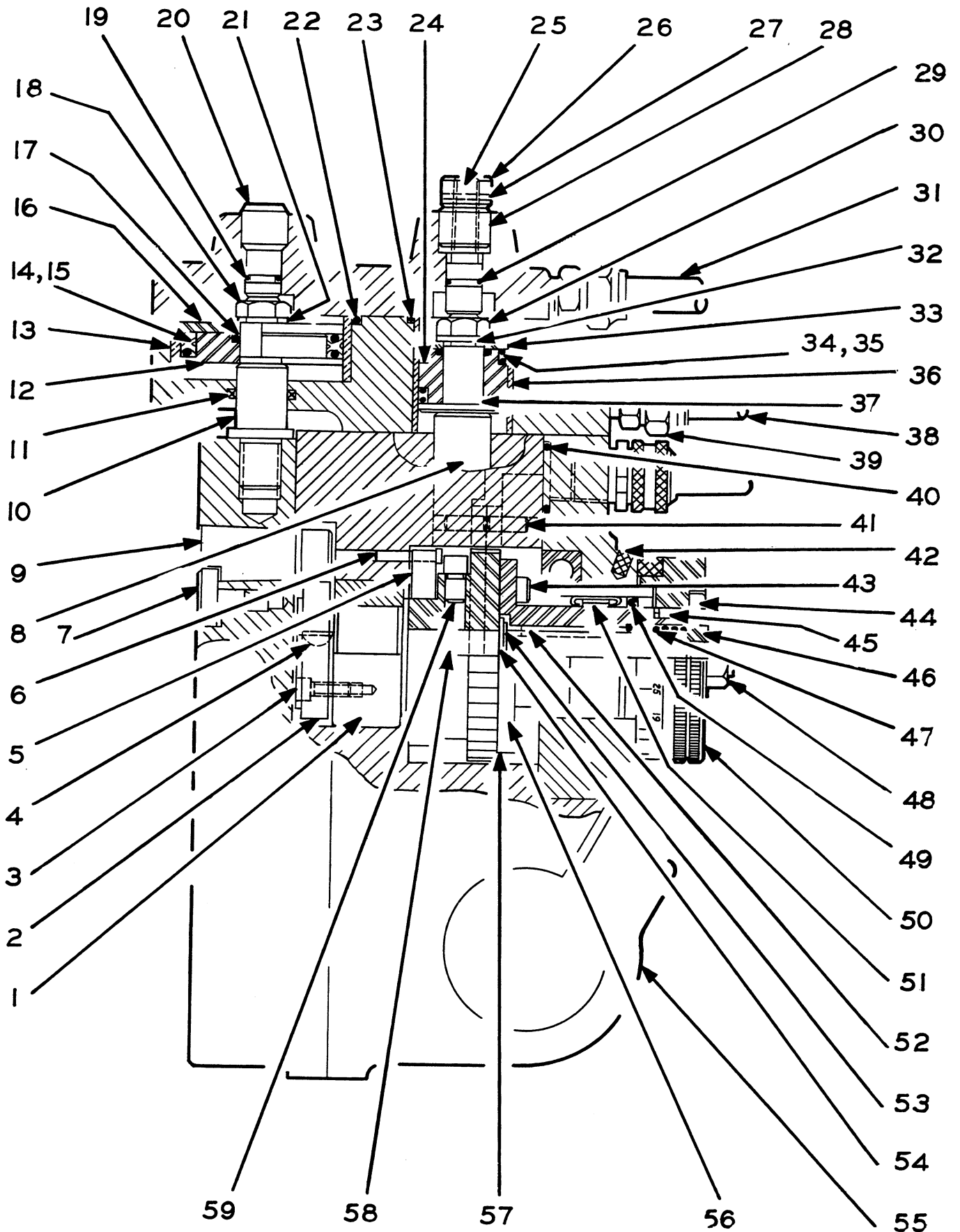
AUTOMATIC CHASING HEAD PARTS LIST - VIEW I

Key No.	Part Number	Part Name	Amt. Used	Key No.	Part Number	Part Name	A Used
1	CT-8998-1	Bushing	1	31	CT-10788-1	Hose	1
2	CT-11116	Cam	1	32	37-434	Washer	1
3	100208	Screw	3	33	CT-622	Washer	1
4	HC-10580	Key	1	34	CT-11152-1	"X" Seal	1
5	CT-11115	Ratchet Spring	1	35	OR-1517	"O" Ring	4
6	CT-11098	Pin	1	36	CT-10771-1	Cylinder Liner	1
7	CT-796	Lock Screw	1	37	CT-11102	Piston Shaft	1
8	CT-11108	Pawl Post	1	38	CT-10788-2	Hose	1
9	CT-11100	Drive Pin	1	39	FH-10787	Connector	2
10	CT-11104	Piston Rod	1	40	OR-1114	"O" Ring	1
11	CT-11151	Quad Ring	1	41	TL-6615	Dowel Pin	2
12	CT-11099	Piston Ring	1	42	CT-9450	Zero Ring	1
13	CT-10771-2	Cylinder Liner	1	43	CT-10408	Plunger Release Pin	1
14	CT-11152	"X" Seal	1	44	CT-1950	Dial Nut	1
15	OR-2831	"O" Ring	2	45	CT-8604	Key	1
16	CT-3248	Piston Plate	1	46	CT-6503	Seal Plate	1
17	OR-0811	"O" Ring	2	47	CT-6539	Spring	1
18	R-331	Nut	1	48	HN-7968	Nut	1
19	6-9431	"O" Ring	1	49	CP-10124	Seal	1
20	CT-11101	Piston Stop	1	50	CT-10335	Dial Assembly	1
21	37-434	Washer	1	51	CT-9994	Bearing	1
22	OR-3639	"O" Ring	1	52	TP-3791	Key	1
23	OR-2022	"O" Ring	1	53	X62-8231	Retaining Ring	1
24	CT-11103	Seal Retainer	1	54	CT-6431	Washer	1
25	CT-11106	Piston Stop	1	55	CT-11117	Slide and End Cap Assembly	1
26	CT-11109	Lock Nut	1	56	CT-10408-1	Pass Selector Pin	1
27	094-0625-9862	Spring Pin	1	57	CT-11113	Dial Sleeve	1
28	CT-4677	Adjusting Nut	1	58	CT-11114	Cam Shaft	1
29	6-9431	"O" Ring	1	59	CT-11125	Stop Block	1
30	R-331	Nut	1				

WHEN ORDERING PARTS, GIVE KEY NUMBER, PART NUMBER AND PART NAME. BE SURE TO GIVE COMPLETE SERIAL NUMBER WHICH IS STAMPED ON KNOCKOUT CONTROL - VIEW II

AUTOMATIC CHASING HEAD PARTS LIST - VIEW I

FOR MODEL HC MACHINES



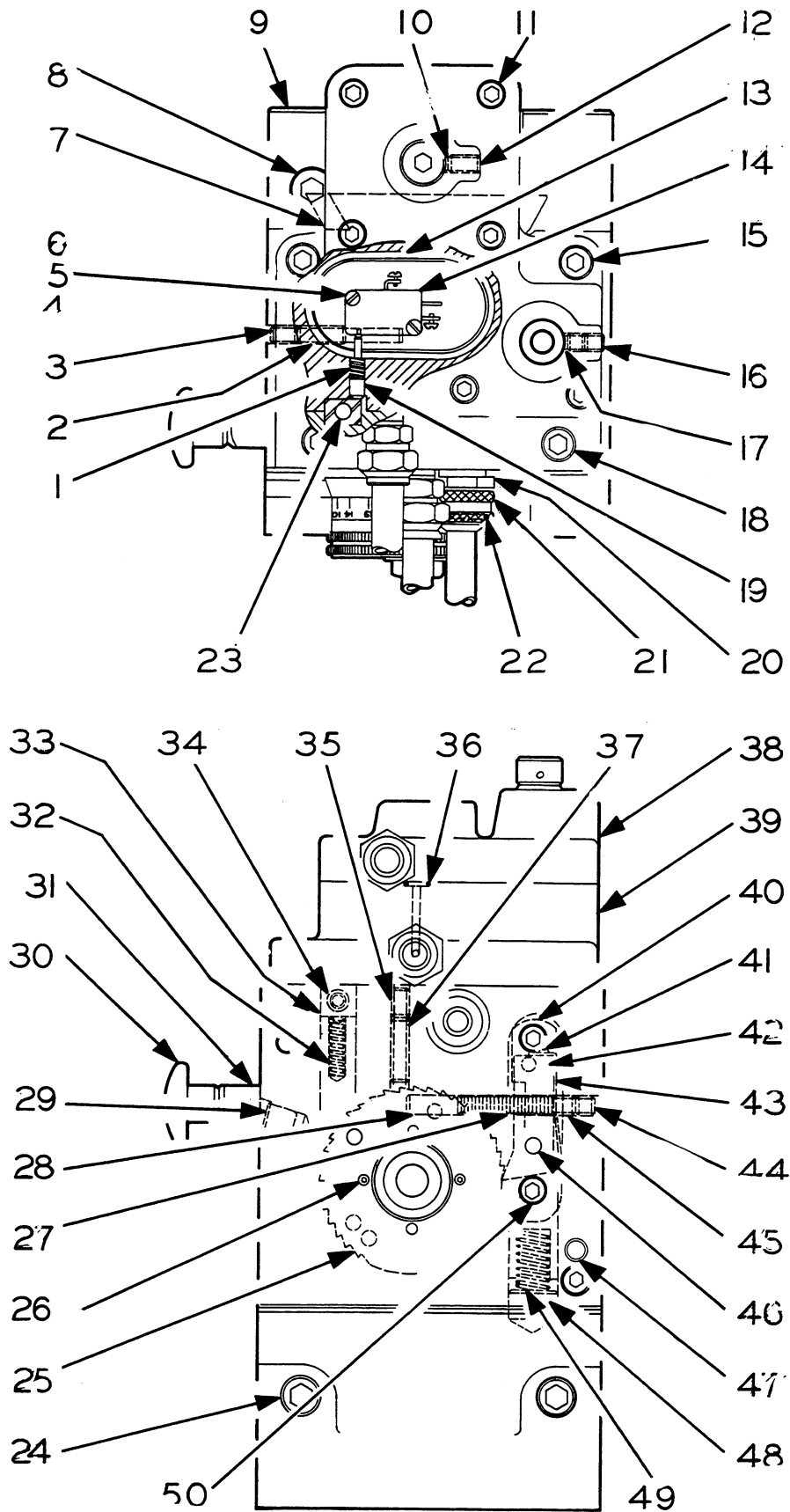
AUTOMATIC CHASING HEAD PARTS LIST - VIEW II

Key No.	Part Number	Part Name	Amt. Used	Key No.	Part Number	Part Name	Am. Use.
1	CT-9859	Spring	1	26	550203	Screw	2
2	CT-291	Stop Screw	1	27	CT-553	Spring	1
3	550506	Screw	2	28	R-4853	Dowel Pin	1
4	CT-9181	Washer	2	29	TM-4763	Oil Cup	1
5	DS-10568	Spacer	2	30	CT-11111	Handle	1
6	350012	Screw	2	31	CT-11110	Lock Plunger	1
7	CT-358	Gib	1	32	CTA-10328	Spring	1
8	HM-6160	Gib Screw	1	33	CT-11187	Block	1
9	CT-7315	Tool Holder Slide	1	34	100306	Screw	1
10	U-4901	Brass Plug	1	35	550506	Screw	1
11	100512	Screw	7	36	OR-0305	"O" Ring	1
12	550507	Screw	1	37	CT-291	Stop Screw	1
13	OR-3336	"O" Ring	1	38	CT-11119	Cover	1
14	CT-10224	Micro Switch	1	39	CT-11120	Cylinder Housing	1
15	100814	Screw	2	40	CT-11107	Pawl Block	1
16	550504	Screw	2	41	CT-11142	Screw	2
17	U-4901	Brass Plug	1	42	CT-11112	Pawl	2
18	100812	Screw	2	43	CT-10615	Spring	2
19	CT-1424	Plunger	1	44	550704	Screw	1
20	CT-10805	Cable Grip	2	45	550705	Screw	1
21	CT-10806	Nut	2	46	CD-4630	Dowel Pin	1
22	10-9431	"O" Ring	1	47	CD-4637	Dowel Pin	2
23	CT-11105	Release Bar	1	48	CT-10443	Plug	1
24	101024	Screw	2	49	CT-7673	Spring	1
25	CT-11124	Ratchet	1	50	100516	Screw	6

WHEN ORDERING PARTS, GIVE KEY NUMBER, PART NUMBER AND PART NAME. BE SURE TO GIVE COMPLETE SERIAL NUMBER WHICH IS STAMPED ON KNOCKOUT CONTROL - VIEW II

AUTOMATIC CHASING HEAD PARTS LIST - VIEW II

FOR MODEL HC MACHINES

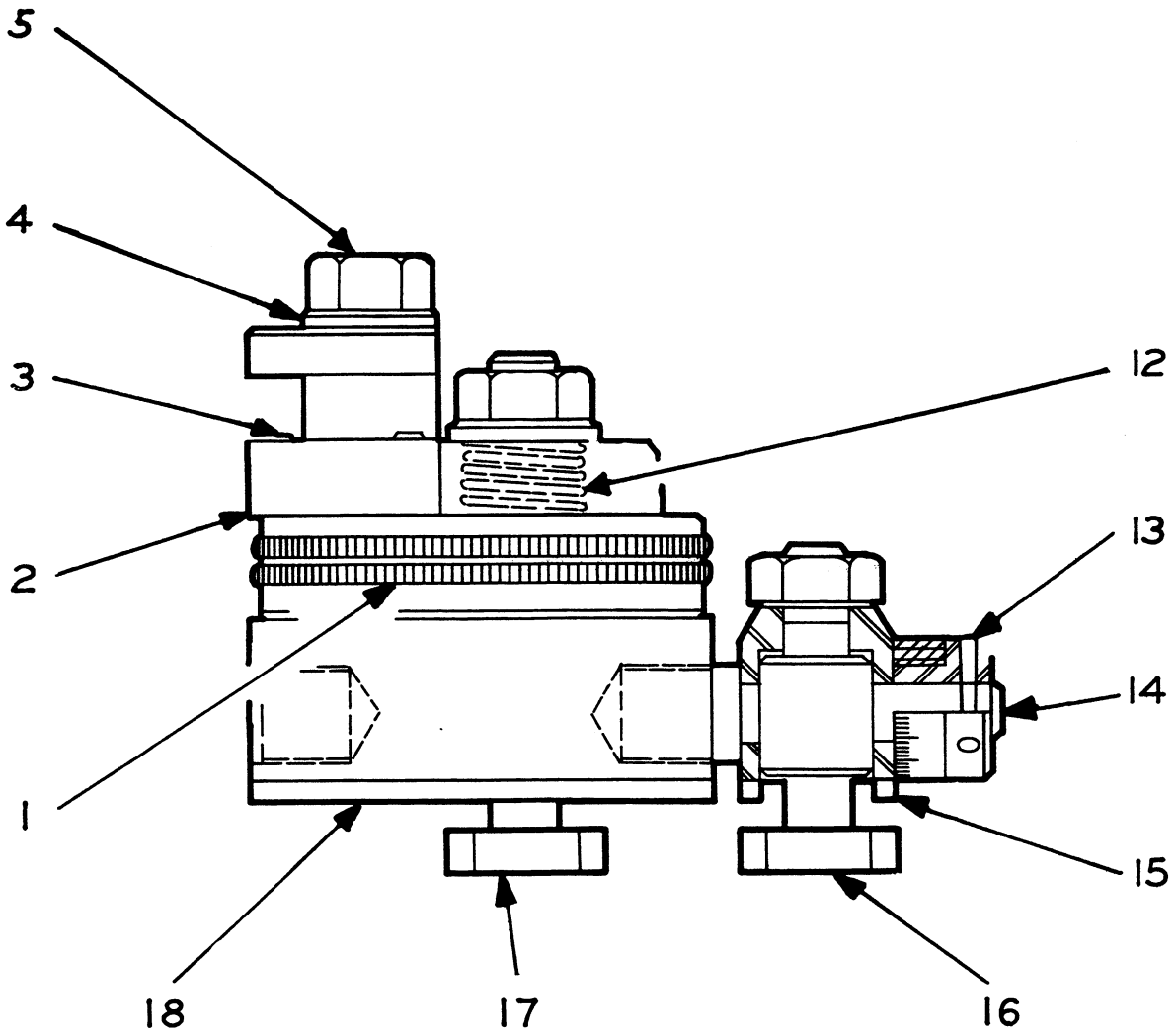
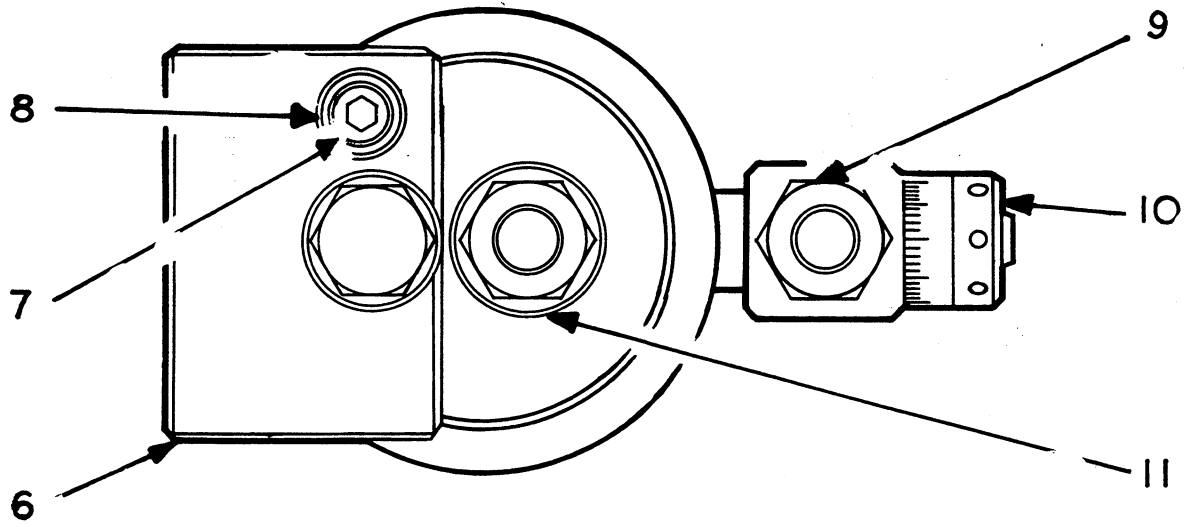


TOOL POST PARTS LIST

Key No.	Part Number	Part Name	Amt. Used	Key No.	Part Number	Part Name	Amt. Used
1	CT-10630	Adjusting Nut	1	10	CTA-10335-1	Dial & Support Assem.	1
2	CT-7389	External Tool Block	1	11	5-2068	Washer	1
3	550508	Screw	6	12	CT-6539	Spring	1
4	U-4143	Washer	1	13	37-1144	Taper Pin	1
5	CT-3549	Bolt	1	14	CTA-11121	Adjusting Bolt	1
6	CT-7389-1	Internal Tool Block	1	15	CTA-11123	Post	1
7	100516	Screw	1	16	CT-11122	Bolt	1
8	CWB-7392	Clamp Bolt	1	17	CT-2011-S	Tee Bolt	1
9	5-2012	Nut	2	18	CTA-10633	Tool Post Support	1

WHEN ORDERING PARTS, GIVE KEY NUMBER, PART NUMBER AND PART NAME. BE SURE TO GIVE COMPLETE SERIAL NUMBER WHICH IS STAMPED ON KNOCKOUT CONTROL - VIEW II

TOOL POST PARTS LIST
FOR MODEL HC MACHINES



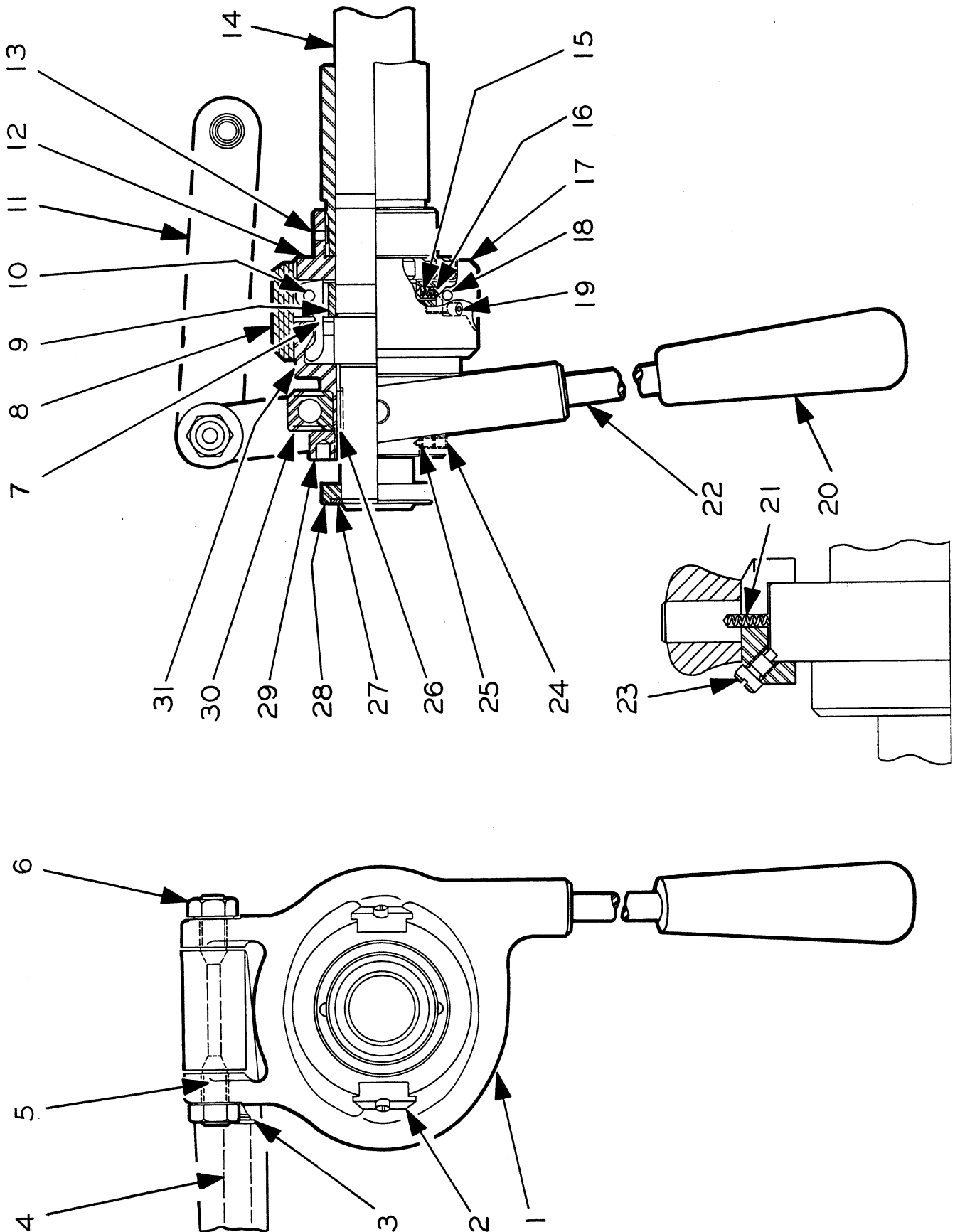
COLLET CLOSER PARTS LIST

Key No.	Part Number	Part Name	Amt. Used	Key No.	Part Number	Part Name	Amt. Used
1	RE-501	Lever Yoke	1	16	37-489	Spring Cap	1
2	R-8230	Swivel Block	2	17	37B-487	Adjusting Finger	1
3	X50-8231	Retaining Ring	1	18	37-488	Pin	1
4	CWA-8019	Link Pin	1	19	100308	Screw	4
5	6-9034	Pivot Screw	2	20	79A-8672	Lever Handle	1
6	C5-1466	Nut	2	21	6-9859	Spring	2
7	37A-485	Clutch Finger	3	22	CWB-8168	Handle	1
8	RG-494	Shell Guard	1	23	R-8232	Screw	2
9	57C-484	Bracket	1	24	550303	Lock Screw	1
10	5-2024	Pin	3	25	R-8238	Screw	1
11	CWA-503	Connecting Link	1	26	TL-6117	Key	1
12	HC-491	Adjusting Nut (With Key)	1	27	RS131-8231	Retaining Ring	1
13	37-493	Key	1	28	57A-481	Stop Ring	1
14	CWC-480	Spindle	1	29	R-8222	Nut	1
15	37-490	Spring	1	30	R-8233	Bearing	1
				31	57A-496	Clutch Cone	1

WHEN ORDERING PARTS, GIVE KEY NUMBER, PART NUMBER AND PART NAME. BE SURE TO GIVE COMPLETE SERIAL NUMBER WHICH IS STAMPED ON BACK END OF RIGHT HAND END OF BED

CH COLLET CLOSER ASSEMBLY PARTS LIST

FOR MODEL HC MACHINES



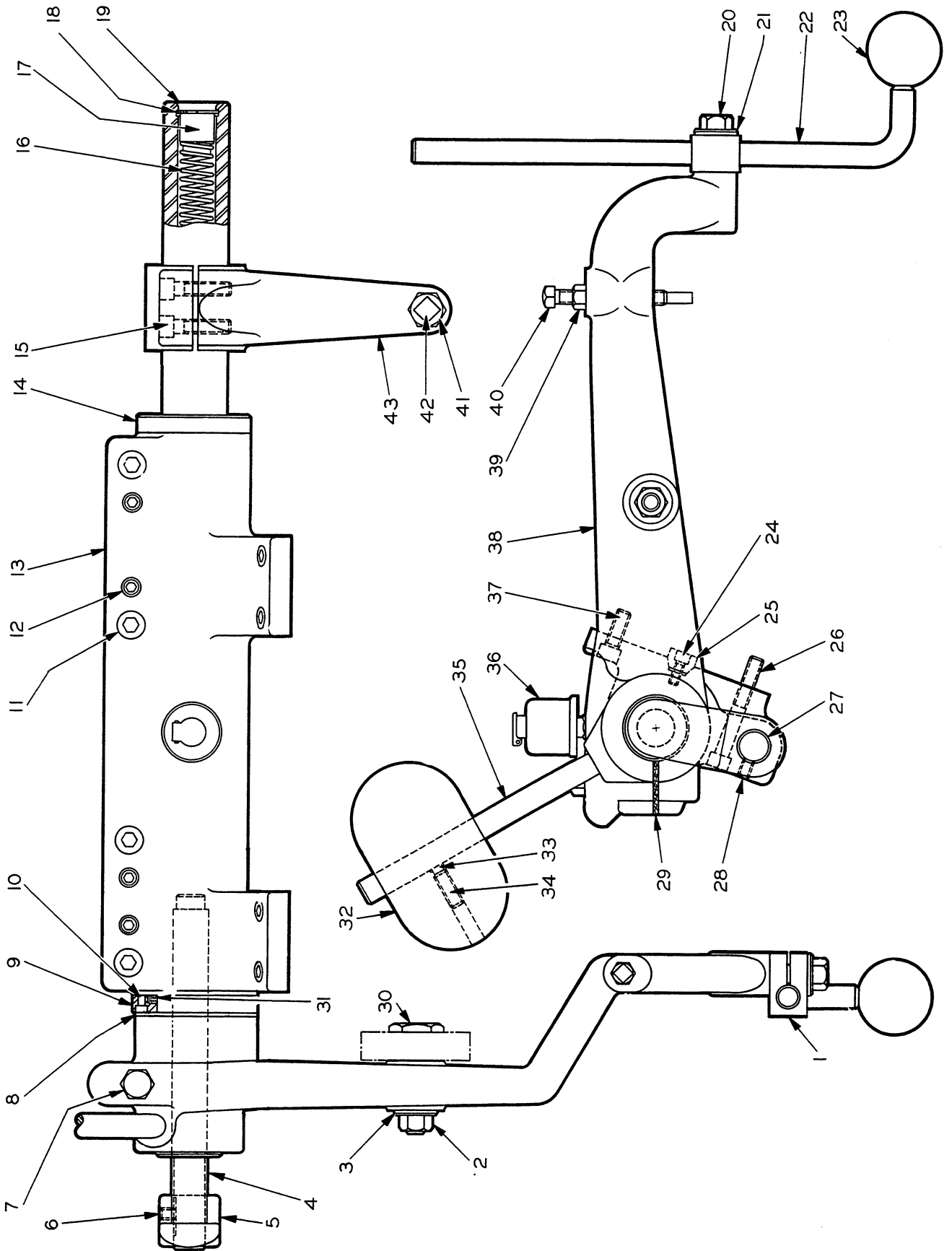
PRODUCTION THREADING ARM ASSEMBLY PARTS LIST

Key No.	Part Number	Part Name	Amt. Used	Key No.	Part Number	Part Name	Used
1	CW-9000	Handle Clamp	1	23	FB-473	Ball Handle	1
2	C5P-1957	Nut	1	24	100610	Screw	2
3	37-622	Washer	1	25	CWA-7306	Keys	2
4	HCT-9934	Spring Plunger	1	26	101040	Screw	2
5	HCT-9932	Spring Base	1	27	HCT-9933	Shaft	1
6	550807	Lock Screw	1	28	550808	Lock Screw	1
7	C-151448	Screw	1	29	CW-7199	Felt Strip	1
8	CW-7551	Stop Washer	2	30	CW-7370	Stud	1
9	CW-F-8059	Felt Cap	1	31	CW-7367	Felt Washer	2
10	100410	Screw	6	32	CW-7339	Counter Balance	1
11	101324	Screw	4	33	OL-7381	Plug	1
12	HC-9034	Screw	4	34	550916	Screw	1
13	CWC-7309	Chasing	1	35	HE-7338	Rod	1
14	CW-F-8059	Felt Cap	1	36	CW-9184	Oiler	1
15	101024	Screw	2	37	101016	Screw	6
16	HC-9895	Spring	2	38	CWB-7311	Support	1
17	HCT-9935	Plug	1	39	C-TL-6470	Nut	1
18	N100-8231	Retaining Ring	1	40	CW-7372	Adjusting Screw	1
19	HCT-7360	Chasing Bar	1	41	FN-3182	Nut	1
20	C-151428	Bolt	1	42	CW-7193	Adjusting Screw	
21	37-622	Washer	1	43	CWA-7194	Bracket	
22	CW-9002	Chasing Handle	1				

WHEN ORDERING PARTS, GIVE KEY NUMBER, PART NUMBER AND PART NAME. BE SURE TO GIVE COMPLETE SERIAL NUMBER WHICH IS STAMPED ON BACK END OF RIGHT HAND END OF BED

PRODUCTION THREADING ARM ASSEMBLY PARTS LIST

FOR MODEL HC MACHINES



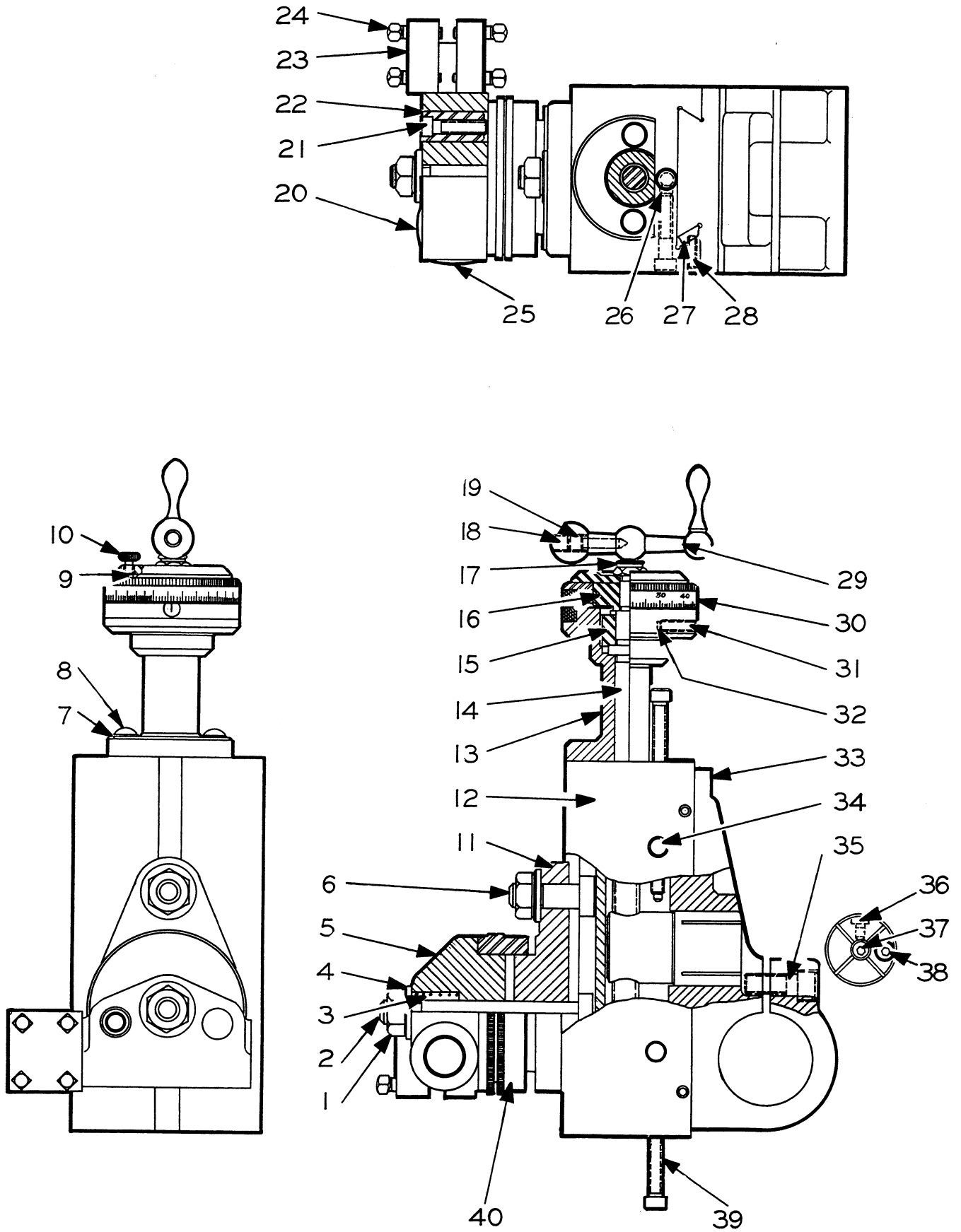
CHASING HEAD ASSEMBLY PARTS LIST

Key No.	Part Number	Part Name	Amt. Used	Key No.	Part Number	Part Name	A Used
1	C5-2012	Nut	2	21	100516	Screw	1
2	HC-10631-3	Attaching Screw	1	22	CWB-7392	Clamp Bolt	1
3	HC-7430	Spring	1	23	CWA-7389	Tool Block	1
4	5-2068	Washer	2	24	FA-4130	Set Screw	4
5	CWB-7322	Tool Post	1	25	75-10331	Dot Plug	1
6	HC-10631-1	Attaching Screw	1	26	6W-9450	Brass Plug	2
7	HC-6860	Washer	2	27	CWC-7396	Gib	1
8	300512	Screw	2	28	N-550310	Gib Screw	4
9	U-10245	Plug	1	29	TA-335	Crank Assembly	1
10	HL-10246	Dial Washer & Lock Screw Assembly	1	30	CH-10335	Dial & Mount Assem.	1
11	HC-10633	Support	1	31	550310	Lock Screw	2
12	CWD-7315	Tool Holder Slide	1	32	37-483	Brass Plug	2
13	HCA-10628	End Cap	1	33	CWE-7312	Support	1
14	CWA-7356	Feed Screw	1	34	100520	Lock Screw	2
15	CH-10645	Bushing	1	35	101020	Screw	2
16	HLA-334	Bushing	1	36	HC-10735	Plug & Nut Assembly	1
17	R-331	Nut	1	37	5-1467	Plug	1
18	550705	Screw	1	38	100536	Screw	1
19	TA-338	Lock Screw	1	39	37A-583	Stop Adjusting Screw	2
20	562-10331	Dot Plug	1	40	HC-10630	Adjusting Nut	

WHEN ORDERING PARTS, GIVE KEY NUMBER, PART NUMBER AND PART NAME. BE SURE TO GIVE COMPLETE SERIAL NUMBER WHICH IS STAMPED ON BACK END OF RIGHT HAND END OF BED

CHASING HEAD ASSEMBLY PARTS LIST

FOR MODEL HC MACHINES



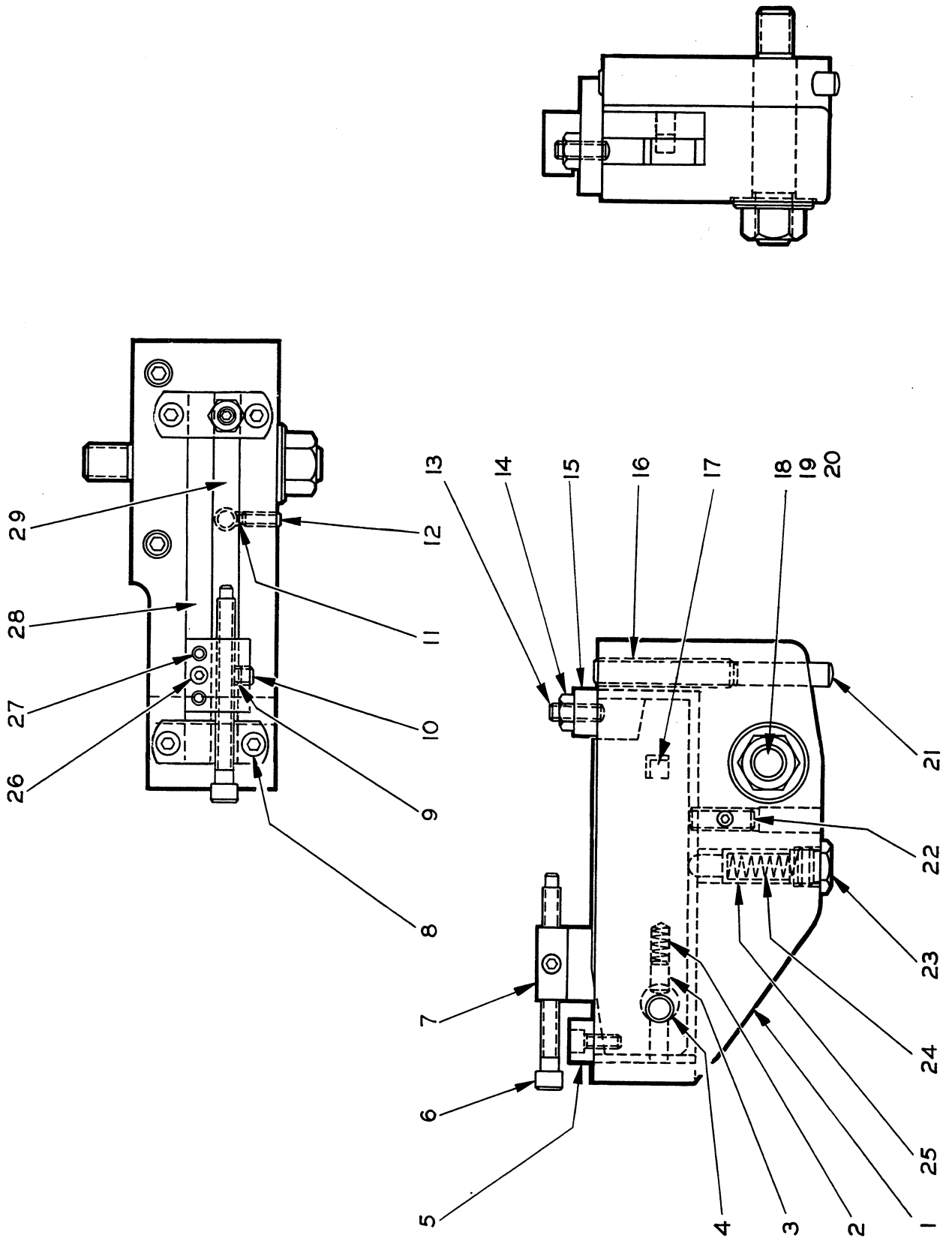
CHASING KNOCKOUT ASSEMBLY PARTS LIST

Key No.	Part Number	Part Name	Amt. Used	Key No.	Part Number	Part Name	Amt. Us
1	HCA-7361	Body Assembly	1	16	550932	Adjusting Screw	2
2	HCT-7335	Slide Plate Spring	1	17	HCT-9839	Latch	1
3	HCT-9842	Plunger	1	18	HCV-7293	Stud	1
4	HCT-6642	Pivot Plate Shaft	1	19	37-622	Washer	1
5	HCT-9835-L	Guide Strap (Left)	1	20	C-5P-1957	Nut	1
6	CW-7387	Trip Screw	1	21	CWB-8038	Adjusting Pin	2
7	HCT-9841	Block	1	22	OL-7373	Plate Screw	1
8	100308	Strap Screw	4	23	HCT-9937	Lock Screw	1
9	U-4901	Lock Screw Plug	1	24	HCT-7334	Spring	1
10	550503	Lock Screw	1	25	HCT-9837	Plunger	1
11	37-483	Plug	1	26	100116	Block Screw	1
12	550308	Screw	1	27	TL-6648	Dowel	2
13	HCA-9875	Stop Screw	1	28	HCA-9838	Slide Plate	1
14	C-3-4835	Nut	1	29	HCA-9840	Pivot Plate	1
15	HCA-9835-R	Guide Strap (Right)	1				

WHEN ORDERING PARTS, GIVE KEY NUMBER, PART NUMBER AND PART NAME. BE SURE TO GIVE COMPLETE SERIAL NUMBER WHICH IS STAMPED ON BACK END OF RIGHT HAND END OF BED

CHASING KNOCKOUT ASSEMBLY PARTS LIST

FOR MODEL HC MACHINES



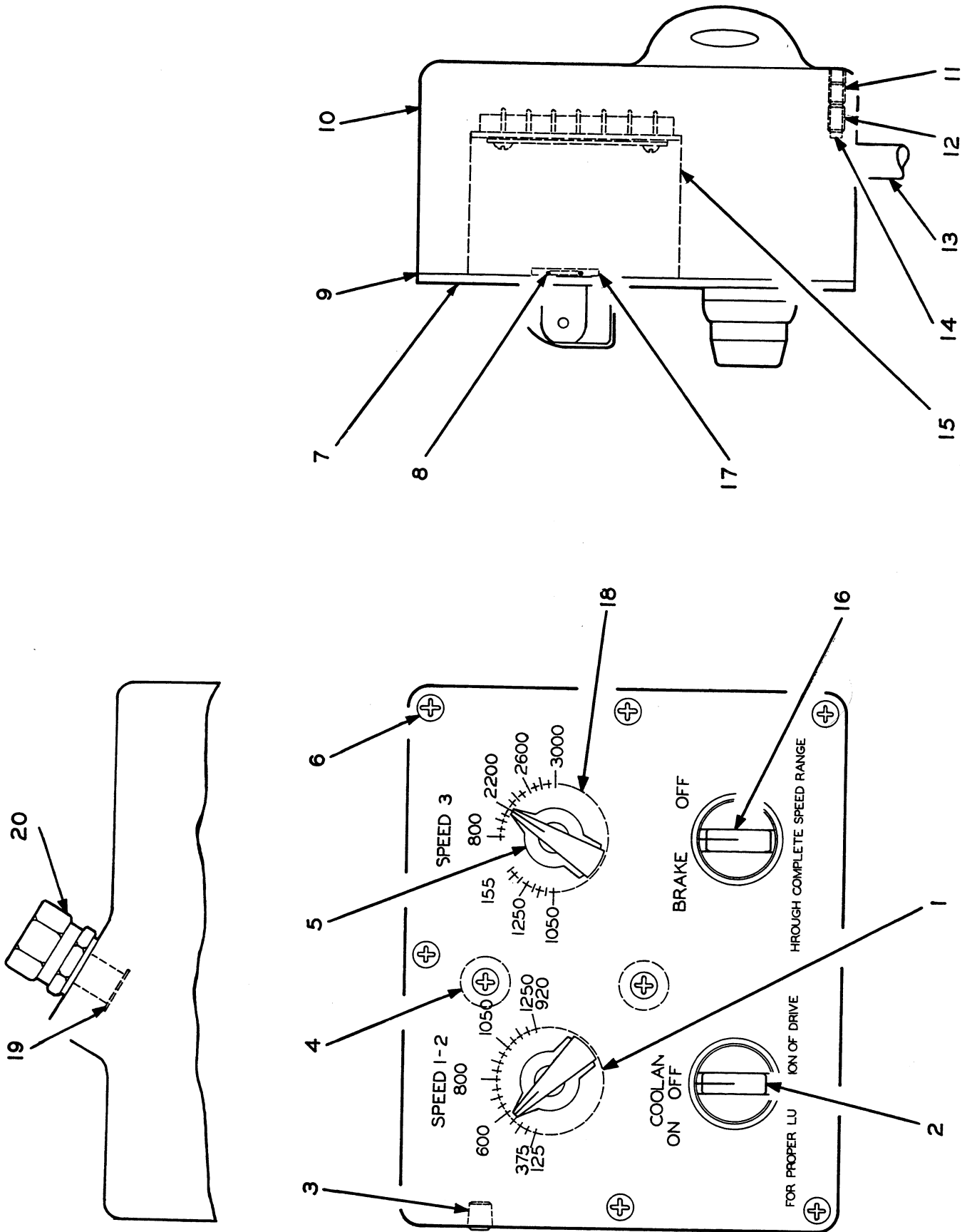
VARIABLE SPEED CONTROL BOX PARTS LIST

Key No.	Part Number	Part Name	Amt. Used	Key No.	Part Number	Part Name	
1	CH-11141-1	Rheostat	1	11	550505	Screw	1
2	LH-9553	Coolant Switch	1	12	550508	Screw	1
3	5-1467	Pipe Plug	1	13	CH-10190	Support	1
4	5P-6431	Washer	2	14	49-8260	Brass Plug	1
5	CH-3285	Knob	2	15	CH-11180	Transistor Assembly	1
6	400307	Screw	10	16	HL-9553	Brake Switch	1
7	CH-10188	Speed Indicator Plate	1	17	CH-9568	Mounting Plate	1
8	OR-0608	"O" Ring	2	18	CH-11141	Rheostat	1
9	CH-9713	Gasket	1	19	LH-9938	Insuliner	1
10	CHA-10181	Speed Control Box	1	20	50-10225	1/2" Connector	1

WHEN ORDERING PARTS, GIVE KEY NUMBER, PART NAME. BE SURE TO GIVE COMPLETE SERIAL NUMBER WHICH IS STAMPED ON BACK END OF RIGHT HAND END OF BED

VARIABLE SPEED CONTROL BOX PARTS LIST

FOR MODEL HC MACHINES



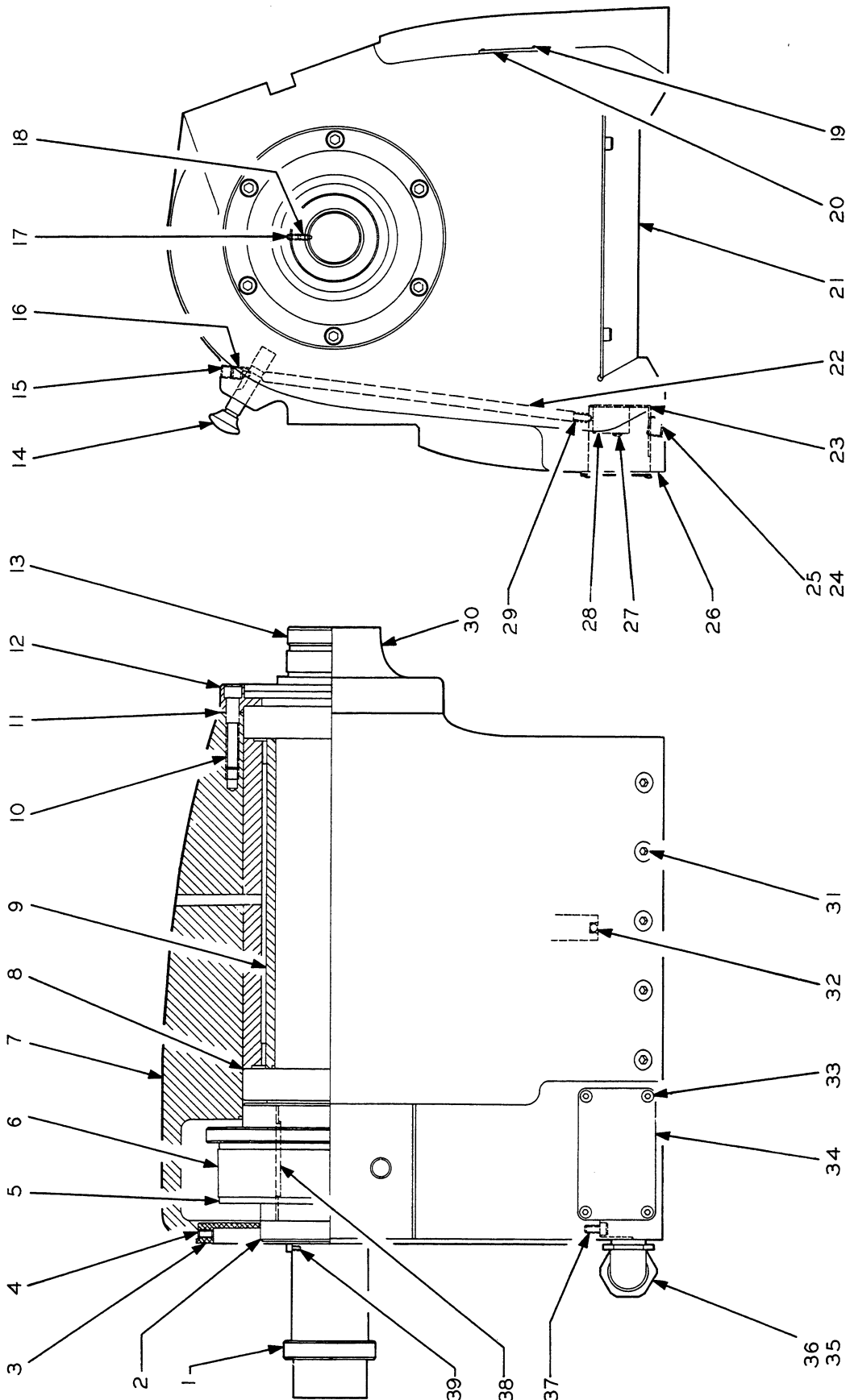
HEADSTOCK ASSEMBLY PARTS LIST
HC

KEY	PART NUMBER	PCS.	PART NAME
1	HE-7343	1	Retaining Nut
2	HCA-4068	1	Spindle Nut
3	HCB-4197	1	Cover
4	550306	2	Screw
5	HCD-4053	1	Spindle Pulley
6	H615-9625	1	Driving Belt
7	CH-263	1	Headstock Frame Assembly
8	HC-265	1 pr.	Bearings
9	CW-4057	1	Bearing Spacer
10	100828	6	Screw
11	LH-6424	1	Gasket
12	LH-275	1	Front Cap
13	HCB-282-D	1	Spindle
14	CH-279	1	Spindle Lock Pin
15	6-1048	1	Lock Screw
16	R-6989	1	Set Screw
17	550310	1	Lock Screw
18	37A-284	1	Key Screw
19	R-8044	4	Escutcheon Pin
20	FB-256	1	Name Plate
21	HP-8076	1	Filler Plate
22	CH-1424	1	Plunger
23	LH-11063	1	Switch Insulator
24	551306	1	Screw
25	HL-10435	1	Sealer
26	LH-11033	1	Cover Seal
27	350114	2	Switch Screw
28	LH-10224	1	Micro Switch
29	HCT-7335	1	Spring
30	CW-6407	1	Coolant Shield
31	CW-4279	5	Screw
32	HC-9923	1	Seal
33	300106	4	Screw
34	LH-256	1	Micro Switch Cover
35	950-10225	1	Connector
36	50-10229	20"	Conduit
37	100306	2	Filler Plate Screw
38	TL-6317	1	Key for Pulley
39	HCV-8259	1	Key

WHEN ORDERING PARTS, GIVE KEY NUMBER, PART NUMBER AND PART NAME. BE SURE TO GIVE COMPLETE SERIAL NUMBER WHICH IS STAMPED ON BACK END OF RIGHT HAND END OF BED

HEADSTOCK ASSEMBLY PARTS LIST

FOR MODEL HC MACHINES

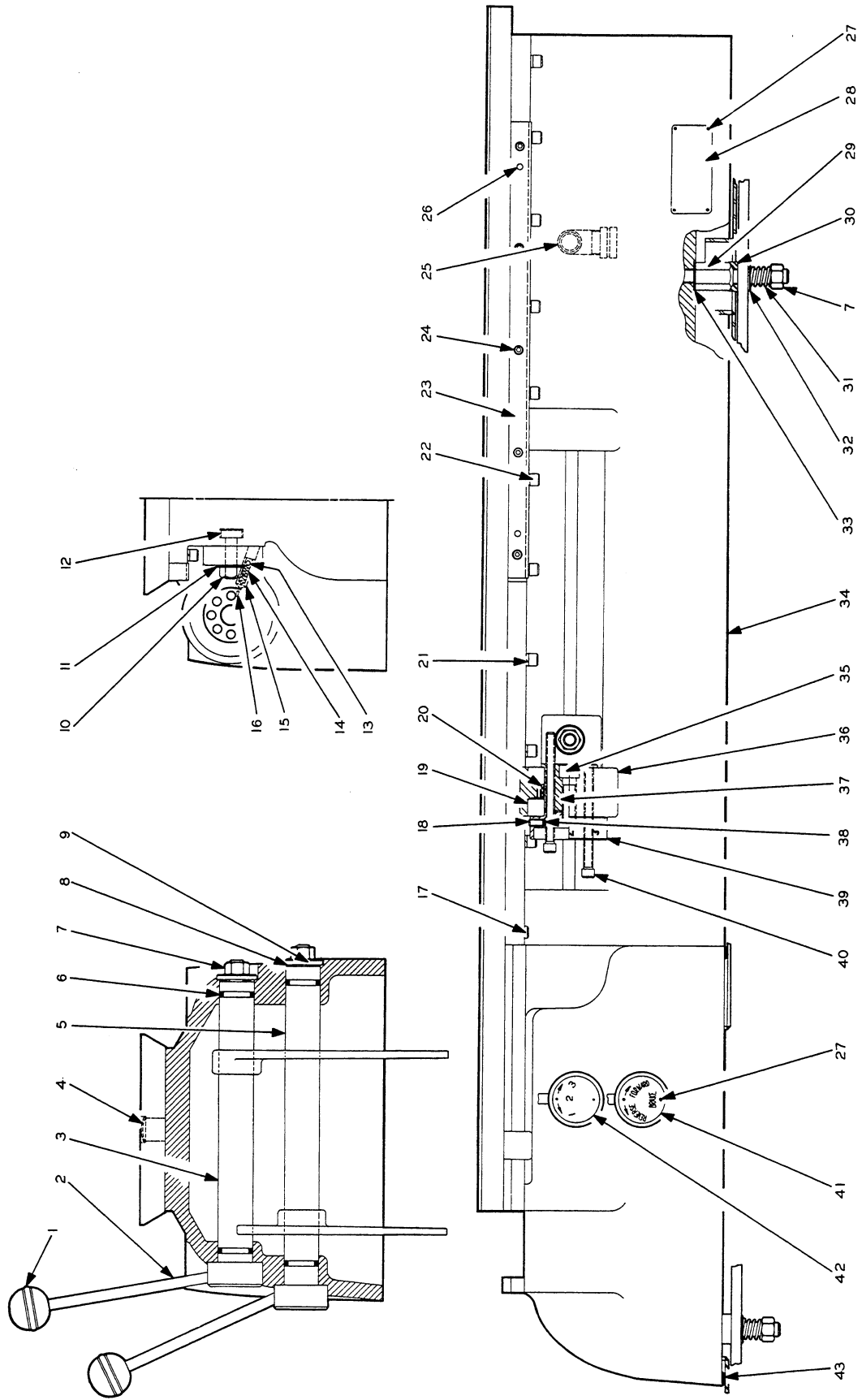


BED PARTS LIST

Key No.	Part Number	Part Name	Amt. Used	Key No.	Part Number	Part Name	Amt. Used
1	MD-3285	Knob	2	23	CH-6634	Rack	1
2	RAA-6239	Control Handle	2	24	100314	Screw	5
3	CH-3721	Speed Lever	1	25	CP-10826	Cord Grip	1
4	CP-9360-2	Plug	1	26	5A-1977	Dowell	2
5	CH-3720	Reverse Lever	1	27	R-8044	Escutcheon Pin	8
6	19-9431	"O" Ring	4	28	HL-256	Name Plate	1
7	SN-4626	Nut	5	29	S6A-8265	Stud	3
8	DV-10597	Spring Washer	2	30	2-8266	Washer	3
9	OL-7621	Washer	2	31	TA-6553	Spring	3
10	5-2012	Nut	1	32	B5P-6433	Washer	3
11	5-2068	Washer	1	33	6-9896	Washer	3
12	5-2011	Lock Bolt	1	34	CH-262	Bed	1
13	HC-10635	Retaining Screw	1	35	101328	Screw	1
14	HCT-7335	Spring	1	36	CH-10616	Housing	1
15	HC-10634	Plunger	1	37	HC-10617	Hub For Index Drum	1
16	HC-10580	Key	1	38	6W-9450	Brass Plug	8
17	100716	Screw	18	39	HC-7402	Index Drum	1
18	550507	Set Screw	8	40	HC-7428	Adjusting Screw	8
19	HC-10644	Bearing	1 Pr.	41	VD-1535	Reverse - Forward Plate	1
20	HC-10637	Index Ring	1	42	CH-1669	Speed Plate	1
21	HL-10042	Lockwasher	28	43	CH-10565-1	Bed Seal	1
22	10720	Screw	10				

WHEN ORDERING PARTS, GIVE KEY NUMBER, PART NUMBER AND PART NAME. BE SURE TO GIVE COMPLETE SERIAL NUMBER WHICH IS STAMPED ON BACK END OF RIGHT HAND END OF BED.

BED PARTS LIST
FOR MODEL HC MACHINES



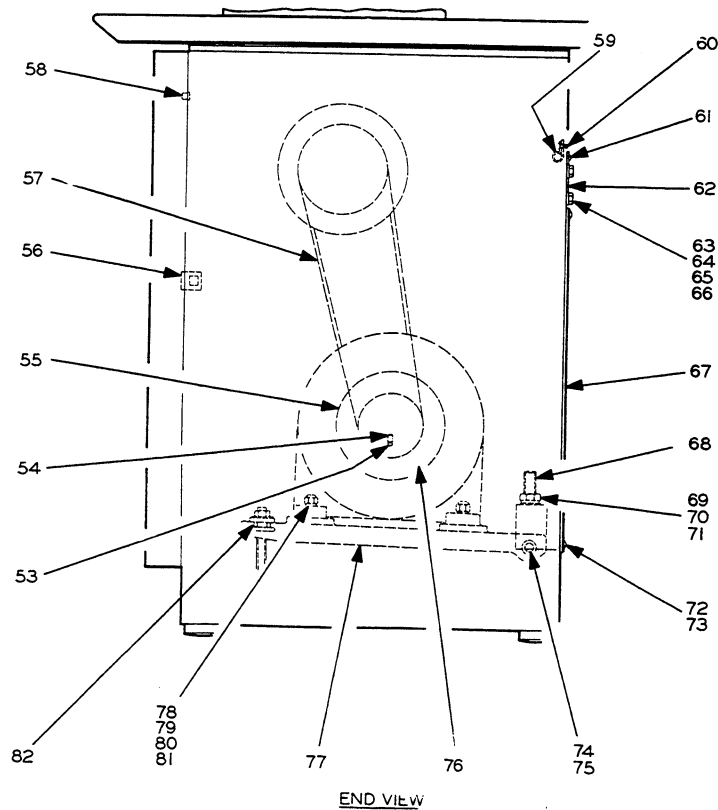
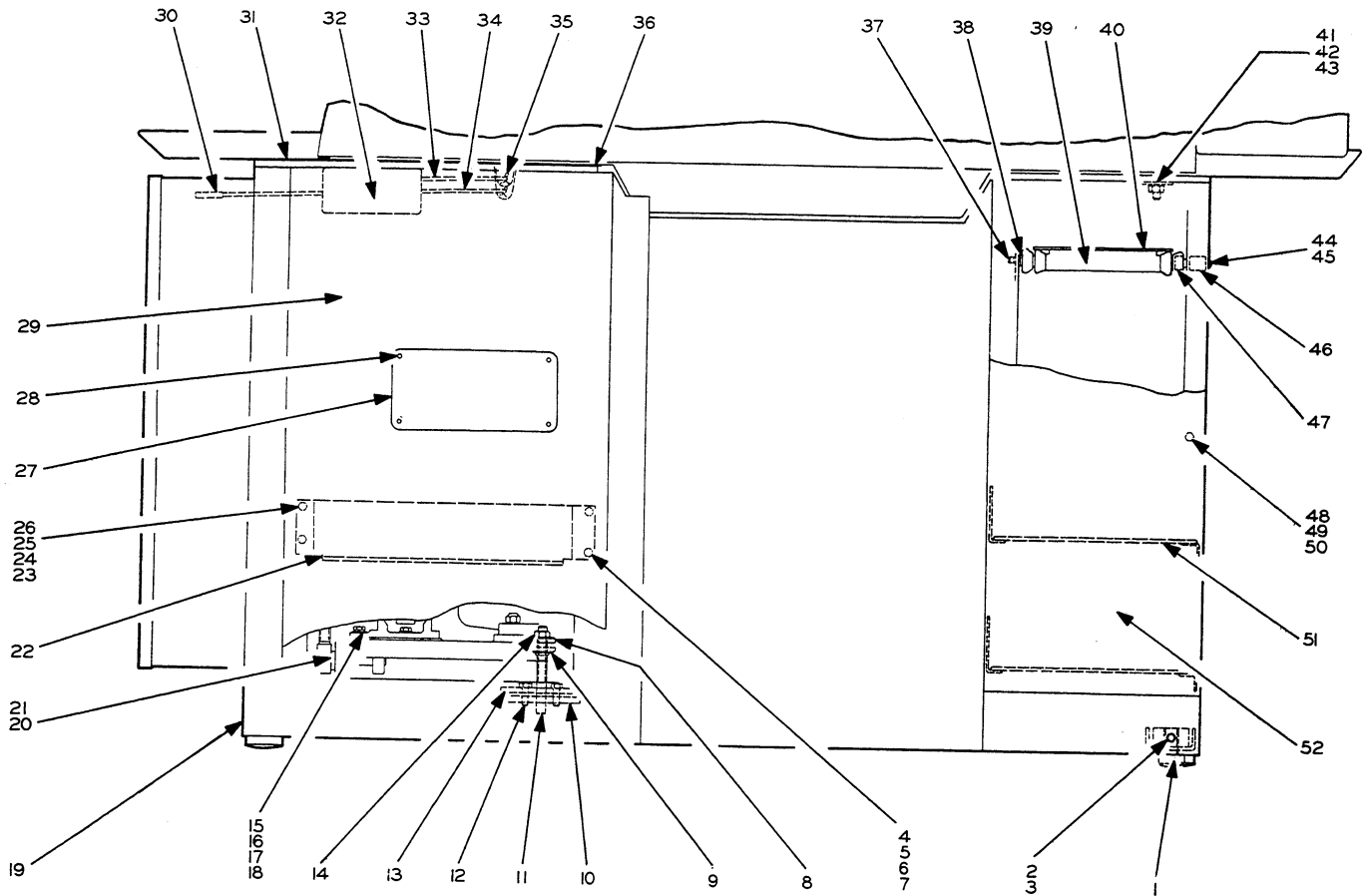
PEDESTAL BASE PARTS LIST

Key No.	Part Number	Part Name	Amt. Used	Key No.	Part Number	Part Name	Amt. Us
1	6W-9454	Adjustable Foot	1	42	MD-3591	Lockwasher	6
2	551012	Screw	1	43	TL-4757	Washer	6
3	TL-6466	Brass Plug	1	44	300424	Screw	2
4	300612	Screw	2	45	BMD-2883	Nut	4
5	49A-7984	Washer	2	46	HLA-10073	Spacer	2
6	CM-2845	Lockwasher	2	47	6-8747	Nut	4
7	5P-2843	Nut	2	48	150610	Screw	10
8	HL-9997	Insulator Bushing	2	49	CM-2845	Lockwasher	10
9	CM-2885	Washer	2	50	5P-2843	Nut	10
10	HLA-9999	Support Plate	1	51	LH-3788	Shelf	2
11	LH-10000	Support Screw	1	52	VD-8297	Collet Door	1
12	150716	Screw	2	53	SS-10032	Lockscrew	4
13	HLA-9998	Support Plate	1	54	550607	Screw	4
14	5-1466	Nut	4	55	CH-3177	Motor Pulley	1
15	150824	Screw	2	56	R-7980	Door Catch	2
16	MD-3227	Lockwasher	2	57	GD-9624	Motor Belt	1
17	BK-10438	Washer	2	58	U-6916	Door Bumper	5
18	DV-10680	Nut	2	59	DVB-9623	Clamp	3
19	LHA-1990	Base	1	60	100306	Screw	3
20	HCB-9663	Stud	1	61	300306	Screw	2
21	VS-9672	Rubber Bushing	1	62	CH-10378	Cover	
22	CH-10336	Support Plate	1	63	B-151016	Screw	4
23	B-150612	Screw	2	64	MD-6826	Washer	4
24	49A-7984	Washer	2	65	MD-3591	Lockwasher	4
25	CM-2845	Lockwasher	2	66	3-1425	Nut	4
26	5P-2843	Nut	2	67	VD-3782	Rear Cover	1
27	FPB-4698	Name Plate	1	68	DV-1995	Hinge Eye Bolt	2
28	650104	Drive Pin	6	69	UA-4034	Nut	4
29	VDA-3780	Motor Door	1	70	U-3985	Lockwasher	2
30	WE-2850	Pull Rod Link	2	71	3-3606	Washer	4
31	LHA-4910	Cork Pad	5	72	300608	Screw	4
32	HPC-9858	Brake Plate	1	73	HL-505	Washer	4
33	CH-3288-1	Speed Pull Rod	1	74	HCB-9663	Stud	1
34	CH-3288-2	Reverse Pull Rod	1	75	VS-9672	Rubber Bushing	1
35	UE-4920	Cotter Pin	2	76	CMB-2249	Motor	1
36	6WA-4910	Cork Pad	1	77	HCC-1991	Motor Plate	1
37	100410	Screw	2	78	151036	Screw	4
38	5P-6431	Washer	8	79	TP-6836	Nut	4
39	6-8780	Sliding Collet Board Assembly	1	80	MD-6826	Washer	4
				81	WA-9191	Washer	4
40	6A-2172	Collet Board	1	82	HL-10006	Insulator Bushing	1
41	B7-1502	Nut	6				

WHEN ORDERING PARTS, GIVE KEY NUMBER, PART NAME. BE SURE TO GIVE COMPLETE SERIAL NUMBER WHICH IS STAMPED ON BACK END OF RIGHT HAND END OF BED

PEDESTAL BASE PARTS LIST

FOR MODEL HC MACHINES



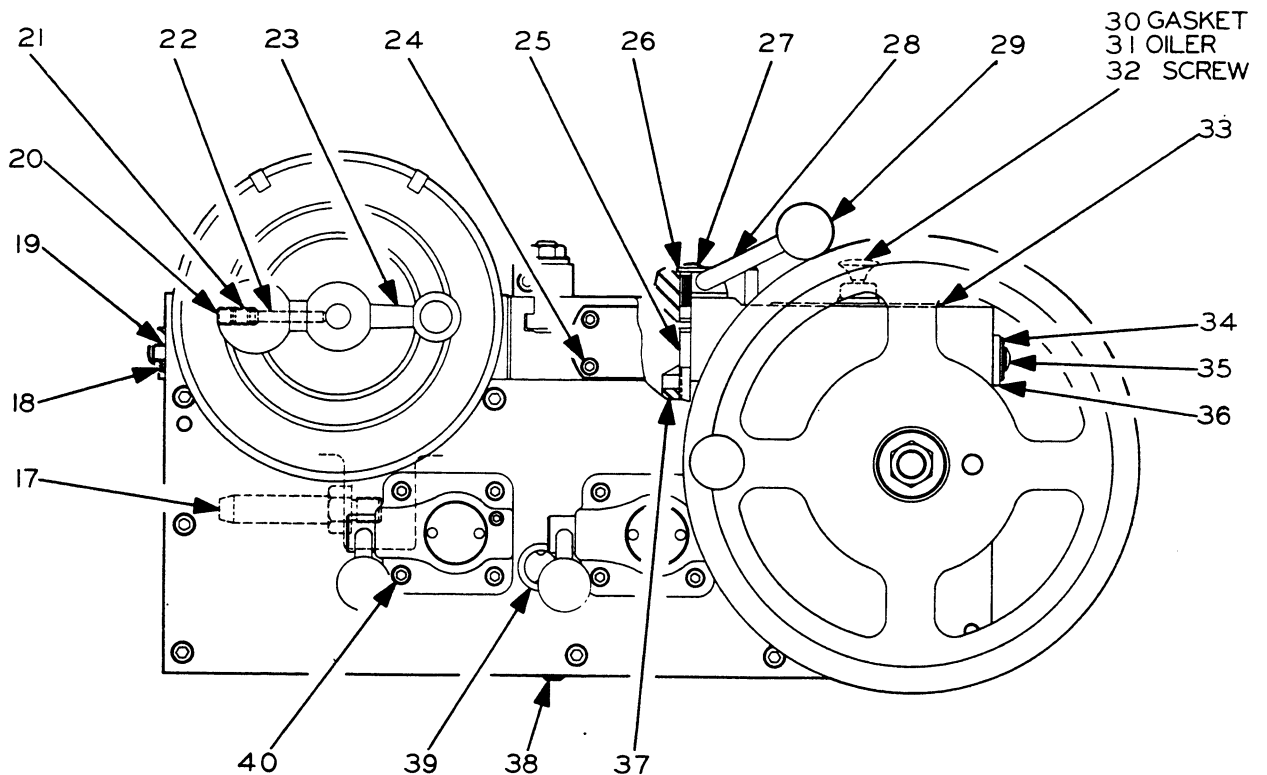
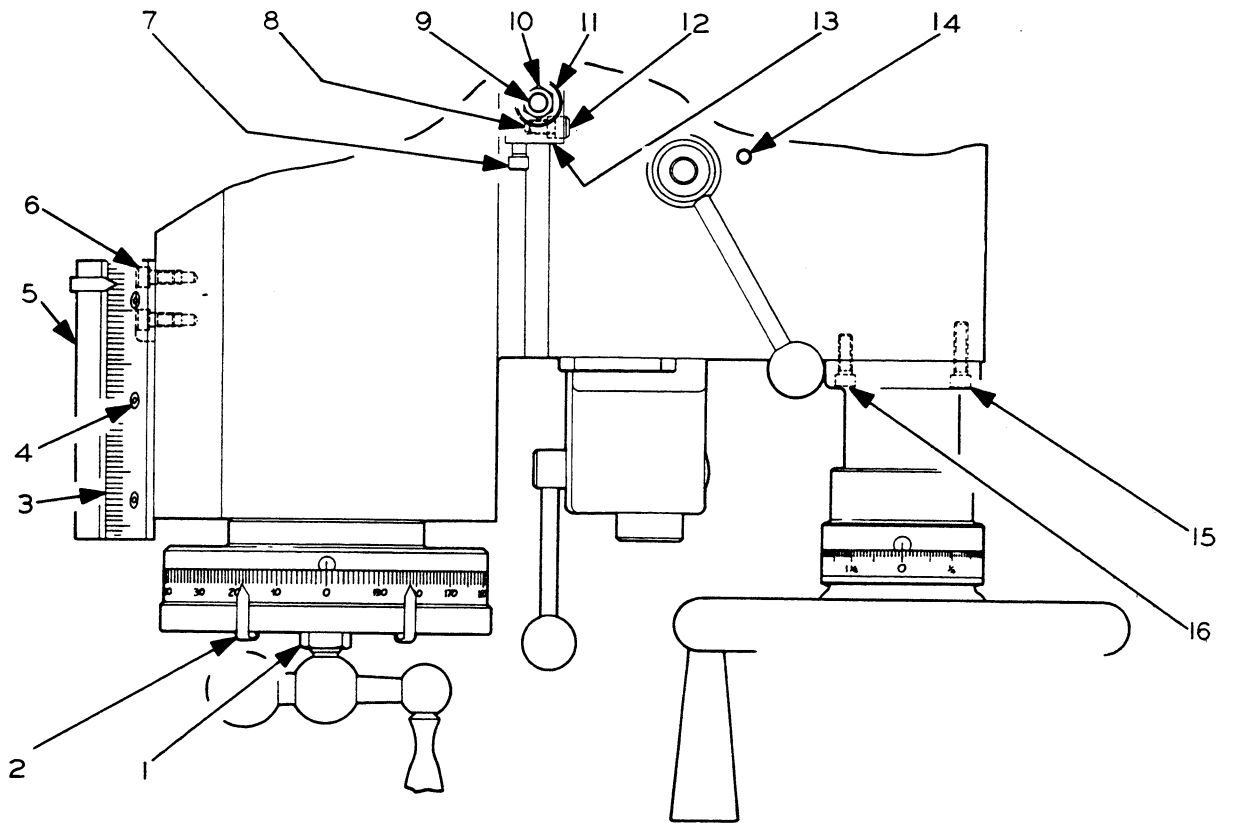
CARRIAGE ASSEMBLY PARTS LIST - VIEW I

Key No.	Part Number	Part Name	Amt. Used	Key No.	Part Number	Part Name	A Used
1	CW-9052	Cross Feed Screw Nut	1	21	550705	Screw	1
2	CA-9053	Dial Clip	16	22	OL-7618	Lock Pin	1
3	CP-10656	Indicator Strip	1	23	CW-7670	Crank	1
4	300206	Indicator Strip Screw	3	24	100306	Screw	4
5	CH-10655	Indicator Body	1	25	CP-1840	Carriage Lock Bolt	1
6	100510	Indicator Body Screw	2	26	B-MD-3623	Washer	1
7	37A-458	Stop Screw	1	27	300306	Screw	1
8	U-4901	Plug	1	28	CP-10067	Lock Bolt Handle	1
9	OL-7613	Tee Bolt	1	29	TL-6126	Handle Ball	1
10	U-4141	Stop Block Nut	1	30	HL-6424	Oiler Gasket	1
11	37-641	Washer	1	31	HL-9987	Oiler	1
12	100508	Stop Block Screw	1	32	100208	Oiler Screw	3
13	OA-7612	Stop Block	1	33	HCC-9931	Oiler Instruction Plate	1
14	5-2024	Stop Pin	1	34	HL-505	Wiper Washer	6
15	100616	Screw	2	35	300608	Wiper Screw	6
16	100612	Screw	2	36	HCA-8050	Wiper	2
17	CH-7685	Carriage Stop	1	37	OL-7604	Lock Bolt	1
18	HCB-10311	Wiper Spring	6	38	HC-10998	Magnetic Plug	1
19	HCA-6076	Wiper Spacer	6	39	OW-10109	Oil Window	1
20	550704	Screw	1	40	100314	Screw	1

WHEN ORDERING PARTS, GIVE KEY NUMBER, PART NUMBER AND PART NAME. BE SURE TO GIVE COMPLETE SERIAL NUMBER WHICH IS STAMPED ON BACK END OF RIGHT HAND END OF BED

CARRIAGE ASSEMBLY PARTS LIST - VIEW I

FOR MODEL HC MACHINES



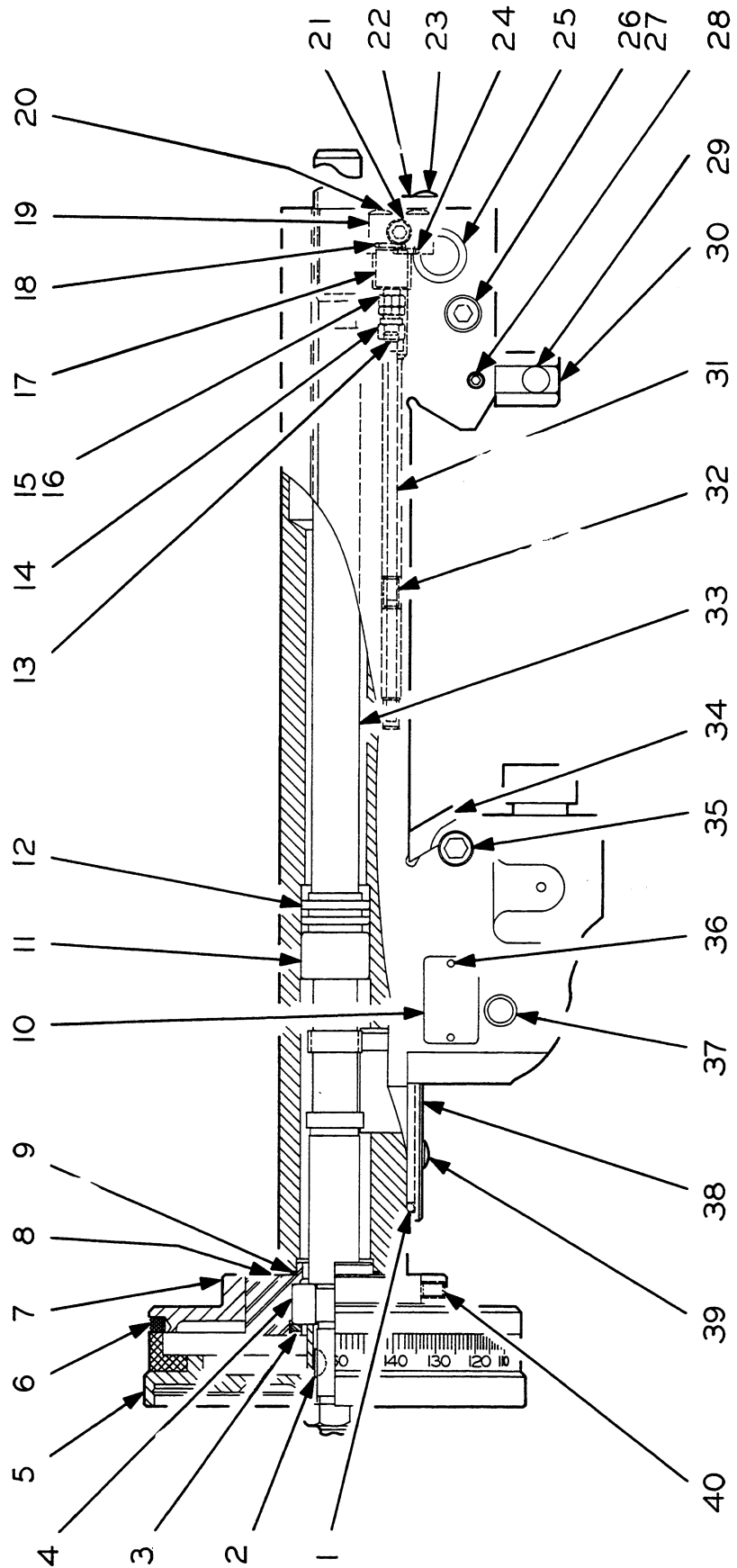
CARRIAGE ASSEMBLY PARTS LIST - VIEW II

Key No.	Part Number	Part Name	Amt. Used	Key No.	Part Number	Part Name	Amt. Used
1	LH-11028	Cover Seal	1	21	5-1467	Plug	1
2	47-1514	Key	1	22	CH-11018	Oil Unit Cover	1
3	HL-9712	Retaining Ring	1	23	300306	Screw	4
4	2V-6504	Bearing	1	24	6-9431	"O" Ring	1
5	HCB-10335	Dial Assembly	1	25	OW-10109	Oil Window	1
6	HL-9727	Zero Line Plug	1	26	5-1914	Pipe Plug	2
7	CH-407	Zero Ring	1	27	CH-10650	Filler Rod	1
8	CH-10659	Bearing Housing	1	28	550512	Carriage Stop Screw	1
9	OR-2022	"O" Ring	1	29	CH-6916	Bumper	1
10	CPA-10011	Instruction Plate	1	30	CH-11070	Carriage Stop	1
11	U-4180	Needle Bearing	1	31	LH-11029	Tubing	
12	LC-10837	Seal	2	32	LH-11031	Oil Tube Bushing	4
13	LH-11060	Compression Sleeves	4	33	CH-325	Cross Feed Screw	1
14	LH-11030	Compression Nut	4	34	CWA-7633	Carriage Gib	1
15	LH-O-10646	Meter Unit	2	35	HM-6160	Gib Screw	2
16	LH-1-10646	Meter Unit	2	36	R-8044	Escutcheon Pin	2
17	LH-11025	Connector	4	37	HL-10277	Oil Cup	1
18	OFA-9431	"O" Ring	4	38	LH-11027	Cover	1
19	CH-11026	Junction Block	1	39	300608	Cover Screw	1
20	300316	Screw	4	40	550506	Zero Ring Screw	

WHEN ORDERING PARTS, GIVE KEY NUMBER, PART NUMBER AND PART NAME. BE SURE TO GIVE COMPLETE SERIAL NUMBER WHICH IS STAMPED ON BACK END OF RIGHT HAND END OF BED

CARRIAGE ASSEMBLY PARTS LIST - VIEW II

FOR MODEL HC MACHINES



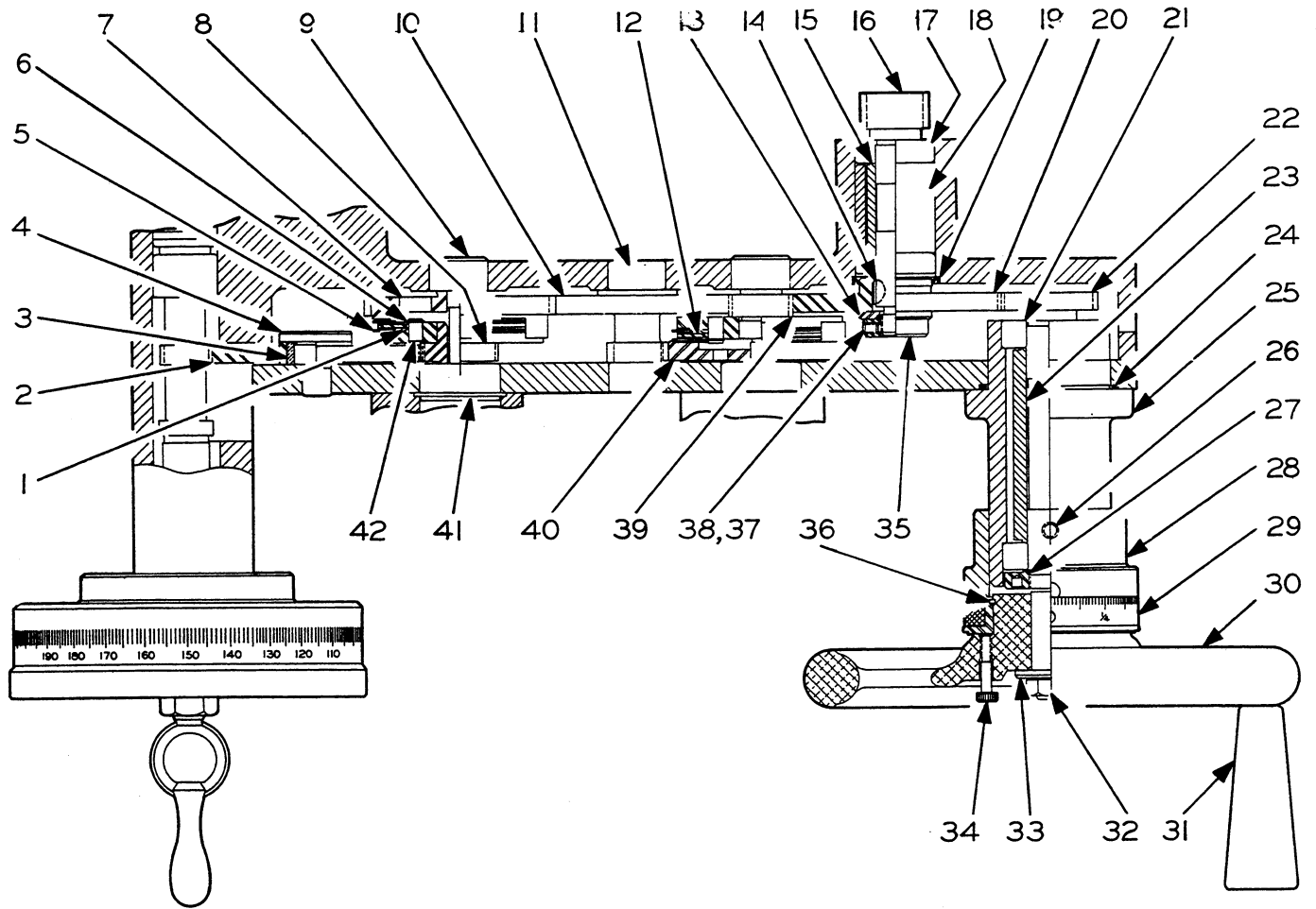
CARRIAGE GEARS PARTS LIST

Key No.	Part Number	Part Name	Amt. Used	Key No.	Part Number	Part Name	A Used
1	HC-11000	Bowed Washer	2	23	CH-10671	Spacer	1
2	CH-11150	120 Tooth Gear	1	24	OR-3437	"O" Ring	1
3	CH-4144-6	Oilite Bearing	1	25	CH-10658	Support	1
4	CH-10665	Stud	1	26	550504	Screw	1
5	LH-10898	Cork & Plate Assembly	4	27	CP-260-2	Nut	1
6	X25-8231	Snap Ring	6	28	CP-10667	Sleeve	1
7	LH-4746	Clutch Shaft Assembly	1	29	CP-10335	Dial & Support Assembly	1
8	LH-11024	Pinion & Gear Assembly	1	30	CPB-7601	Handwheel	1
9	CH-4144-1	Oilite Bearing	2	31	CH-1920	Handle	1
10	CH-11020	Intermediate Gear	1	32	B5-1466	Nut	1
11	CP-4145-2	Needle Bearing	2	33	MD-3248	Nut	1
12	LH-10896	Clutch Disc	2	34	HL-10249	Lock Screw	1
13	CM-2885	Washer	1	35	CP-9342	Nut	1
14	47-1514	Key	1	36	RS-200-8231	Snap Ring	1
15	CH-10670	Spacer	1	37	550304	Screw	1
16	CH-6156-1	Pinion	1	38	37-483	Brass Plug	1
17	CP-266-1	Bearings	1 Pr.	39	LH-6723	Clutch Disc Assembly	1
18	CH-11065	Outer Sleeve	1	40	LH-10899	Longitudinal Clutch Gear	1
19	CP-10124	Seal	1	41	CP-4140	Clutch Bearing	2
20	CH-6147-80	80 Tooth Gear	1	42	LH-6708	Clutch Pin	6
21	CP-266	Bearings	1 Pr.	43	CH-2357	Drive Shaft	1
22	CH-6660	Handwheel Shaft	1	44	CH-10187	Bearing Retainer	1

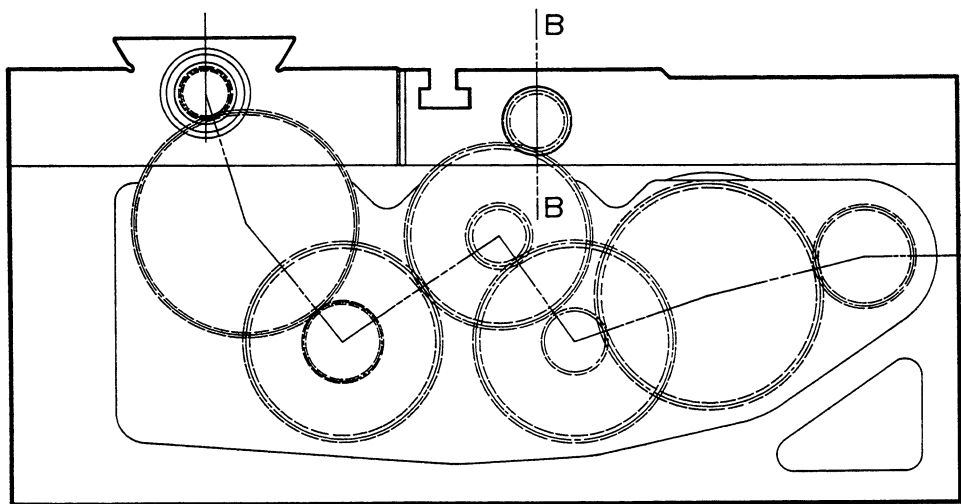
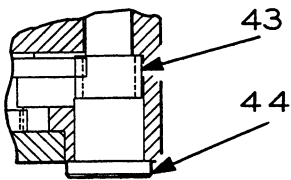
WHEN ORDERING PARTS, GIVE KEY NUMBER, PART NUMBER AND PART NAME. BE SURE TO GIVE COMPLETE SERIAL NUMBER WHICH IS STAMPED ON BACK END OF RIGHT HAND END OF BED

CARRIAGE GEARS PARTS LIST

FOR MODEL HC MACHINES



SECTION B-B



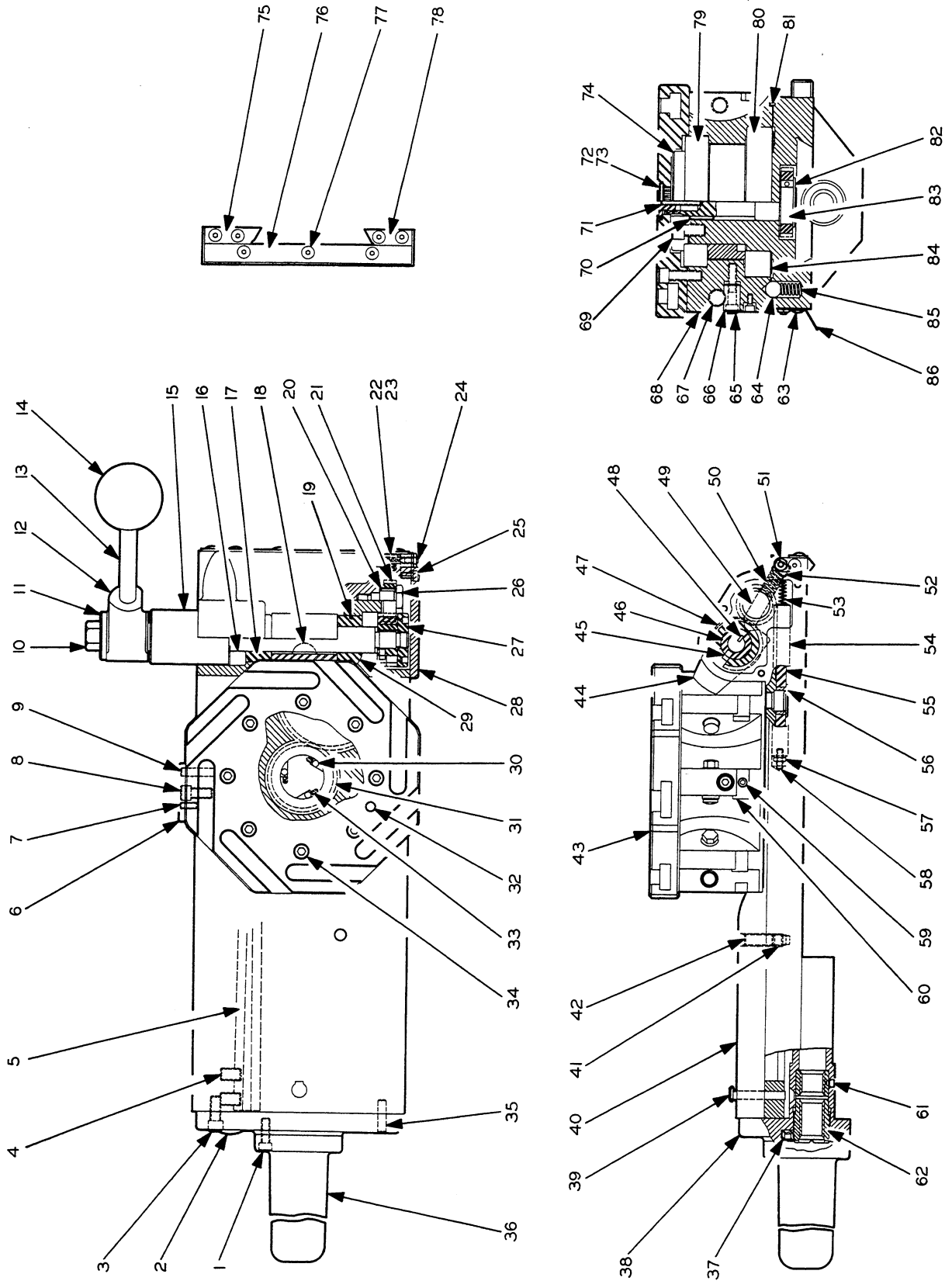
AUTOMATIC TURRET PARTS LIST

Key No.	Part Number	Part Name	Amt. Used	Key No.	Part Number	Part Name	A U.
1	100312	Screw	4	44	CH-7221	Index Lock	1
2	75-10331	Dot Plug	1	45	CH-11129	Drive Pin	1
3	100812	Screw	3	46	CH-10762	Bushing	1
4	HM-6160	Gib Screw	2	47	CH-11128	Gear	1
5	CH-7630	Gib	1	48	37-1129	Key	1
6	CWA-7611	Stop Block	1	49	CW-7208	Spring Plunger	1
7	550308	Screw	1	50	CW-9057	Spring	1
8	100810	Screw	1	51	BMD-2883	Nut	1
9	TL-6708	Dowel Pin	1	52	551306	Screw	1
10	B5P-1957	Nut	1	53	CH-553	Spring	1
11	OL-7621	Washer	1	54	CH-11130	Circular Rack	1
12	CWA-7258	Hub	1	55	CH-6147-70	Idler Gear	1
13	CH-7217	Handle	1	56	CH-7370-1	Stud	1
14	FB-473	Ball	1	57	37A-361	Nut	1
15	CH-7219	Index Lock Shaft	1	58	550310	Screw	1
16	CW-9058	Bearing	2	59	100206	Screw	8
17	CWA-8999-1	Spacer	2	60	CHA-10505	Stop Button	8
18	F-7810	Key	1	61	590504	Lockscrew	1
19	OR-2023	"O" Ring	1	62	CP-328	Nut	1
20	HL-10433	Bearing	1	63	300304	Screw	1
21	CH-10459	Idler Gear	1	64	OL-7227	Ball	1
22	CH-11189	Plug	1	65	100520	Lockscrew	8
23	7-9431	"O" Ring	1	66	CW-8081	Lock Plug	8
24	CH-360	Plug Lock Screw	1	67	OL-7204	Screw	8
25	100306	Screw	4	68	CWD-7201	Body	1
26	CH-7370	Stud	1	69	CH-894	Screw	4
27	CH-9050	Nut	1	70	U-4180	Needle Bearing	2
28	CH-10115	Cover	1	71	550520	Screw	1
29	CWA-8999	Spacer	1	72	CH-11133	Lock Plug	1
30	CH-6708	Clutch Pin	3	73	OR-1618	"O" Ring	1
31	CH-6147-44	Clutch Gear	1	74	CHA-8995	Retaining Plate	1
32	FB-6923	Dowel	1	75	CH-8050-R	Wiper	1
33	CH-9859	Spring	3	76	CH-8050-T	Wiper	1
34	100816	Screw	8	77	300306	Screw	7
35	TL-6708	Dowel Pin	2	78	CH-8050-L	Wiper	1
36	CH-10649	Cover	1	79	DV-8353	Bearing	1
37	CPA-260	Locknut	1	80	CW-9051	Bearing	1
38	CHA-10651	Nut Holder	1	81	CW-9916	Ring	1
39	CP-10277	Oil Cup	1	82	CH-11127	Support	1
40	CH-7202	Base Plate	1	83	CHA-11132	Drive Shaft	1
41	CP-6442	Stop Screw	1	84	HC-9745	Shield	1
42	551014	Screw	1	85	CW-8101	Spring	1
43	CH-7214	Top Plate	1	86	CH-8420	Indicator	1

WHEN ORDERING PARTS, GIVE KEY NUMBER, PART NAME. BE SURE TO GIVE COMPLETE SERIAL NUMBER WHICH IS STAMPED ON BACK END OF RIGHT HAND END OF BED

AUTOMATIC TURRET PARTS LIST

FOR MODEL HC MACHINES



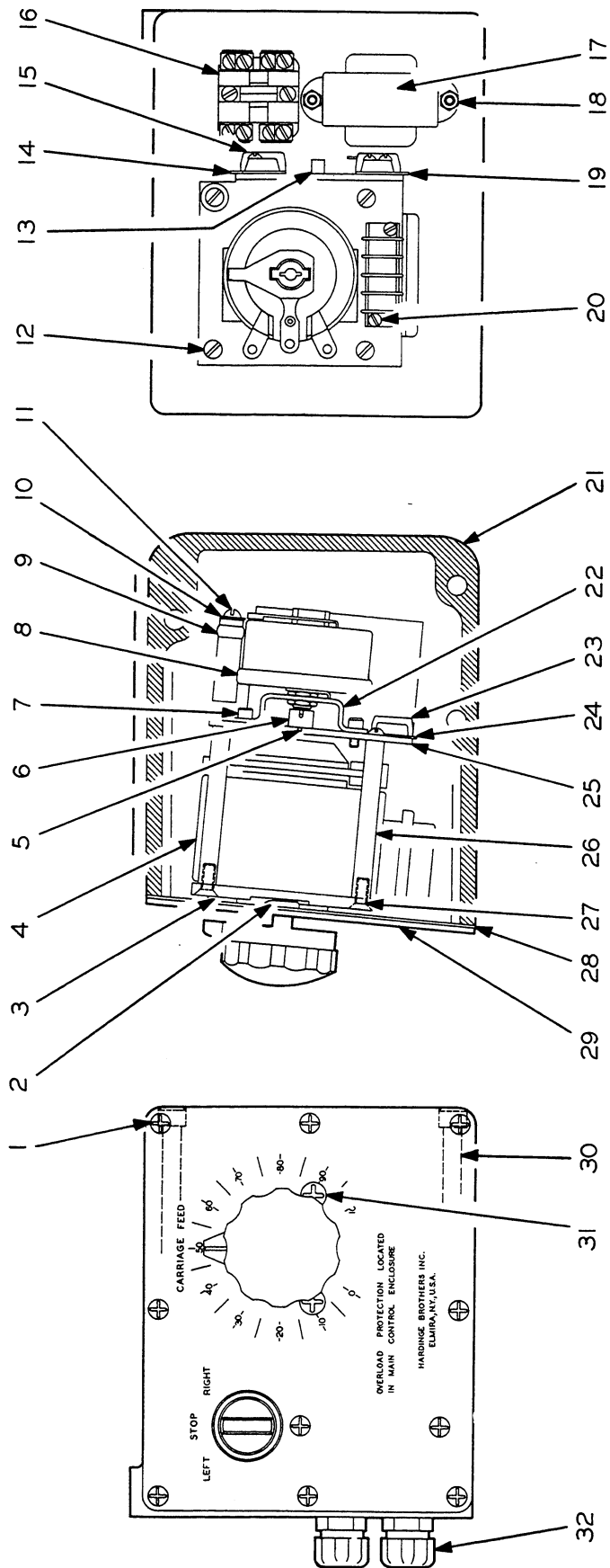
POWER FEED CONTROL PARTS LIST

Key No.	Part Number	Part Name	Amt. Used	Key No.	Part Number	Part Name	Amt. Us
1	400307	Screw	8	17	PF-10619	Reactor	1
2	PF-10620	Retaining Ring &	1	18	400-307	Screw, Nut, & Lock-	2
	PF-10622	Oil Seal Assembly			MD-2883	Washer Assembly	
3	5-1895	Washer	3		WD-9028		
4	CFA-9566	Autotransformer	1	19	CF-9175-2	Marker Strip	1
5	49-4694	Retaining Pin	2	20	350210	Screw	6
6	CF-11163	Shaft Coupling	1	21	CF-6001	Housing	1
7	100306	Screw	2	22	CF-9568	Bracket	1
8	CF-10764	Rheostat	1	23	S4-11170	Terminal Strip	1
9	PF-10472	Braking Resistor	1	24	CF-9175-3	Marker Strip	1
10	6000-10621	Center Washer, Mica	2	25	CF-9568-1	Mounting Plate	1
	6010-10621	Washer Assembly		26	CF-11164	Mounting Post	4
11	350340	Screw	1	27	450510	Screw	4
12	350308	Screw	3	28	HLA-9713	Seal	1
13	CH-9335-S	Rectifier Assembly	1	29	CFA-9510	Indicator Plate	1
14	CF-9175-1	Marker Strip	1	30	HL-10794	Screw	3
15	S4-8116	Terminal Strip	2	31	400608	Screw	3
16	CF-3650	Switch	1	32	6-9207	Connector	2

**WHEN ORDERING PARTS, GIVE KEY NUMBER, PART NUMBER AND PART NAME. BE SURE TO
GIVE COMPLETE SERIAL NUMBER WHICH IS STAMPED ON BACK END OF RIGHT HAND END OF BED**

POWER FEED CONTROL PARTS LIST

FOR MODEL HC MACHINES

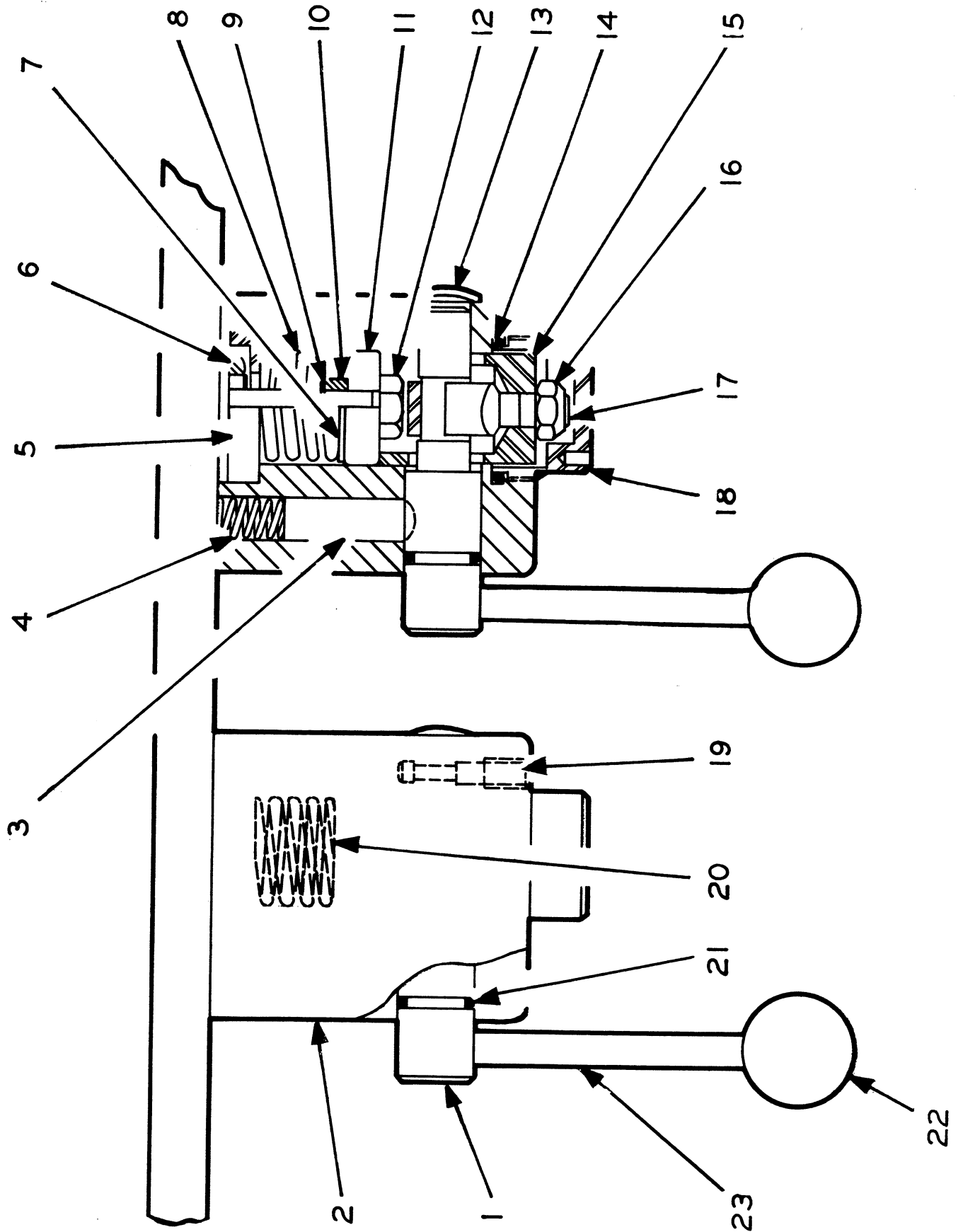


CLUTCHES PARTS LIST

Key No.	Part Number	Part Name	Amt. Used	Key No.	Part Number	Part Name	A-U.
1	CH-6935	Clutch Cam	2	13	CP-9360-4	Plug	2
2	CPA-6933	Clutch Body	2	14	OR-1821	"O" Ring	2
3	LH-6998-2	Plunger	2	15	CP-10662	Pressure Sleeve	2
4	SPA-7872	Spring	2	16	CP-4623	Adjusting Nut	2
5	CP-10661	Spring Seat	2	17	CPA-10663	Adjusting Bolt	2
6	CP-10673	Nut	2	18	CPA-10664	Cover	2
7	CP-3643	Spacer	2	19	CP-10674	Stop Screw	2
8	CPA-6939	Clutch Spring	2	20	CH-6939	Clutch Spring	1
9	X35-8231	Snap Ring	2	21	OR-0911	"O" Ring	2
10	LH-10672	Bearing Spacer	2	22	TL-6126	Handle Ball	2
11	CP-9323	Thrust Bearing	2	23	CP-6158	Handle	2
12	TL-414	Nut	2				

WHEN ORDERING PARTS, GIVE KEY NUMBER, PART NAME. BE SURE TO GIVE COMPLETE SERIAL NUMBER WHICH IS STAMPED ON BACK END OF RIGHT HAND END OF BED

CLUTCHES PARTS LIST
FOR MODEL HC MACHINES



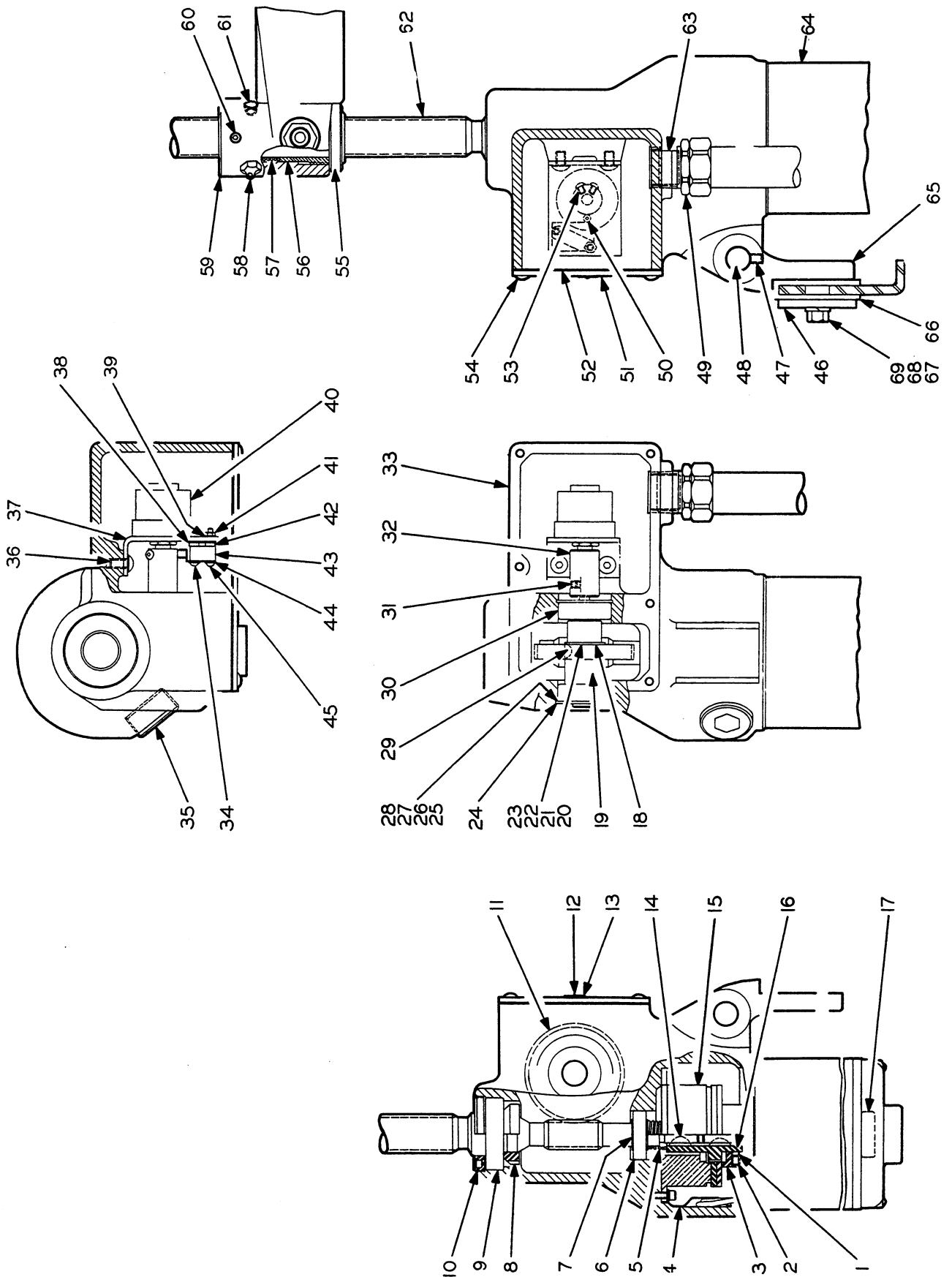
VARIABLE SPEED ACTUATOR PARTS LIST

Key No.	Part Number	Part Name	Amt. Used	Key No.	Part Number	Part Name	Amt. Used
1	N37-483	Nylon Plug	1	36	300508	Screw	2
2	550305	Screw	1	37	CH-11169	Support	1
3	P-10492	Adjusting Nut	1	38	HC-11181	Insulator	1
4	CH-9910	Wire Clip	1	39	SL-8137	Lockwasher	1
5	HC-10058	Spring	1	40	CH-11141-2	Rheostat	1
6	GT-9323	Bearing	1	41	EF-9886	Nut	1
7	X59-8231	Retaining Ring	2	42	DS-10568	Spacer	2
8	NO5-4135	Locknut	1	43	CH-10224	Micro Switch	1
9	WE-9033	Bearing	1	44	CT-9181	Washer	2
10	PA-10317	Locknut	1	45	350014	Screw	1
11	CH-11168	Worm Wheel	1	46	DVA-10561	Backing Plate	1
12	R-8044	Escutcheon Pin	2	47	550506	Screw	1
13	2LS-10366	Identification Tag	1	48	DVA-10182	Swivel Pin	1
14	3-1759	Key	2	49	75-10225	3/4" Connector	1
15	PB-10303	Brake	1	50	CH-11136	Actuator	1
16	P-10491	Armature Hub	1	51	CH-10195	Cover	1
17	TL-6617	Bearing	1	52	CH-10216	Gasket	1
18	X37-8231	Retaining Ring	1	53	CH-11166	Safety Trip	2
19	CH-11167	Worm Wheel Shaft	1	54	300308	Screw	6
20	TL-6489	Shim Washer		55	U-1811	Lock Nut	
21	TL-6490	Shim Washer		56	P-1810	Nut	
22	TL-6491	Shim Washer		57	P-10311	Spring	1
23	TL-8057	Shim Washer		58	DV-10327	Grease Fitting	1
24	N137-8231	Retaining Ring	2	59	CH-10209	Housing	1
25	TL-6480	Shim Washer		60	VS-10379	Key Screw	1
26	TL-6481	Shim Washer		61	5-1467	Pipe Plug	1
27	TL-6482	Shim Washer		62	HCC-10191	Screw	1
28	TL-8056	Shim Washer		63	CH-9938	Insuliner	1
29	HCV-10589	Key	1	64	P-10222-RM	Motor	1
30	TL-6618	Bearing	2	65	DVB-10192	Support	1
31	550202	Screw	4	66	DV-10540	Insulator	1
32	CH-11165	Coupling	1	67	B-151020	Screw	2
33	CH-10221	Housing	1	68	MD-3591	Lockwasher	2
34	350012	Screw	1	69	DV-10538	Bushing	2
35	HM-9215	Pipe Plug	1				

WHEN ORDERING PARTS, GIVE KEY NUMBER, PART NAME. BE SURE TO GIVE COMPLETE SERIAL NUMBER WHICH IS STAMPED ON BACK END OF RIGHT HAND END OF BED

VARIABLE SPEED ACTUATOR PARTS LIST

FOR MODEL HC MACHINES



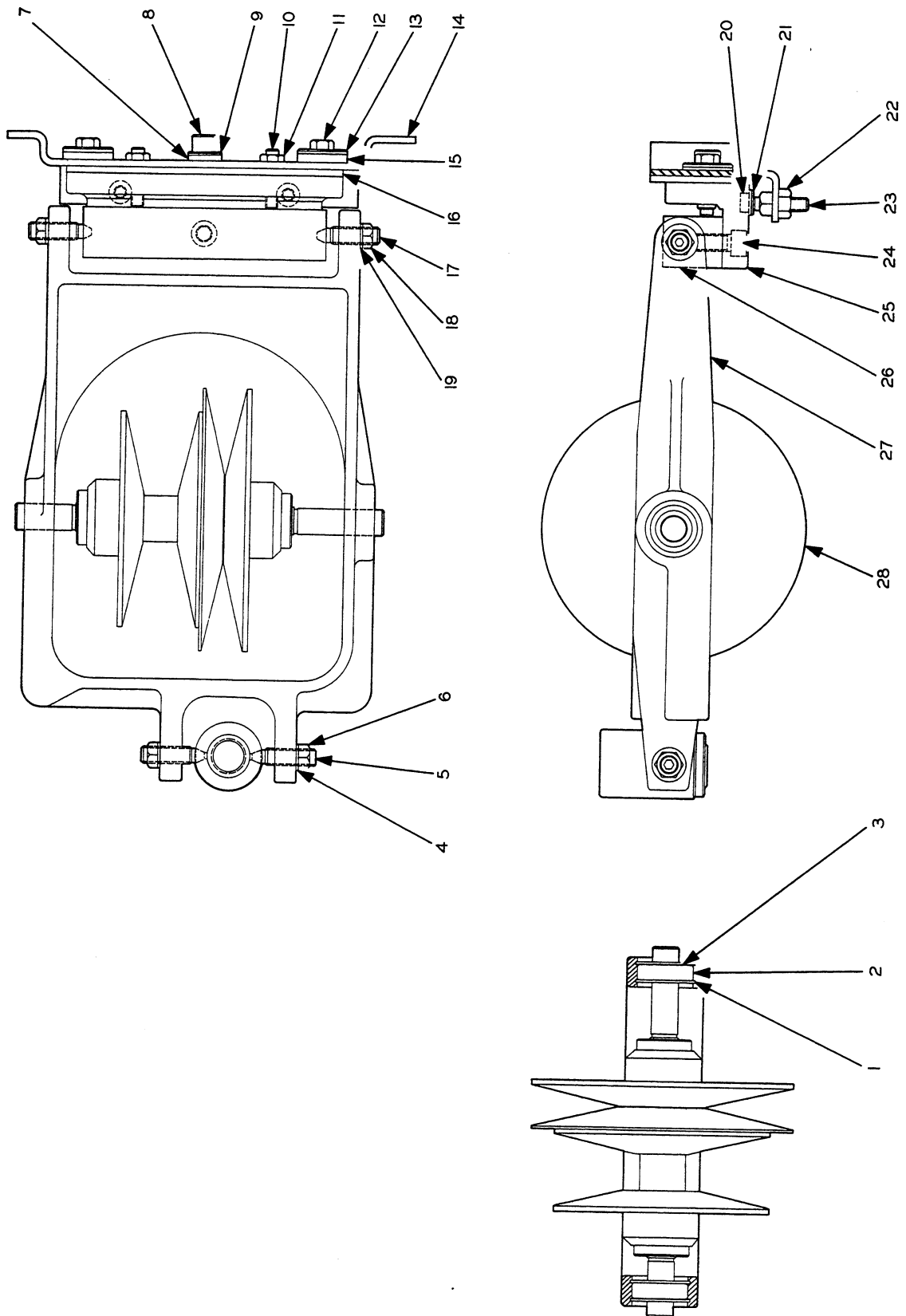
VARIABLE SPEED PULLEY ASSEMBLY PARTS LIST

Key No.	Part Number	Part Name	Amt. Used	Key No.	Part Number	Part Name	Amt Us
1	N165-8231	Retaining Ring	4	15	DV-10542	Rubber Washer	2
2	CW-9058	Bearing	2	16	DV-10537	Insulator	1
3	10405	Bearing Shims		17	QS-10141	Pivot Screw	2
4	5P-6434	Lockwasher	2	18	5-1466	Nut	2
5	QS-10141	Pivot Screw	2	19	5P-6434	Lockwasher	2
6	5-1466	Nut	2	20	DV-10541	Bumper	2
7	DV-10536	Bushing	1	21	DV-10567	Bushing	2
8	101320	Screw	1	22	B7-1502	Nut	2
9	B5P-6433	Washer	1	23	551024	Adjusting Screw	2
10	551024	Adjusting Screw	2	24	101320	Screw	1
11	B7-1502	Nut	2	25	QSA-10121	Support Bracket	1
12	B-151020	Lockscrew	2	26	HCV-10140	Pivot Block	1
13	QS-10143	Washer	2	27	CHA-10180	Drive Support	1
14	CH-1990-47	Pulley Hanger Bracket	1	28	CH-9832	Pulley & Shaft Assembly	1

WHEN ORDERING PARTS, GIVE KEY NUMBER, PART NAME. BE SURE TO GIVE COMPLETE SERIAL NUMBER WHICH IS STAMPED ON BACK END OF RIGHT HAND END OF BED

VARIABLE SPEED PULLEY ASSEMBLY PARTS LIST

FOR MODEL HC MACHINES



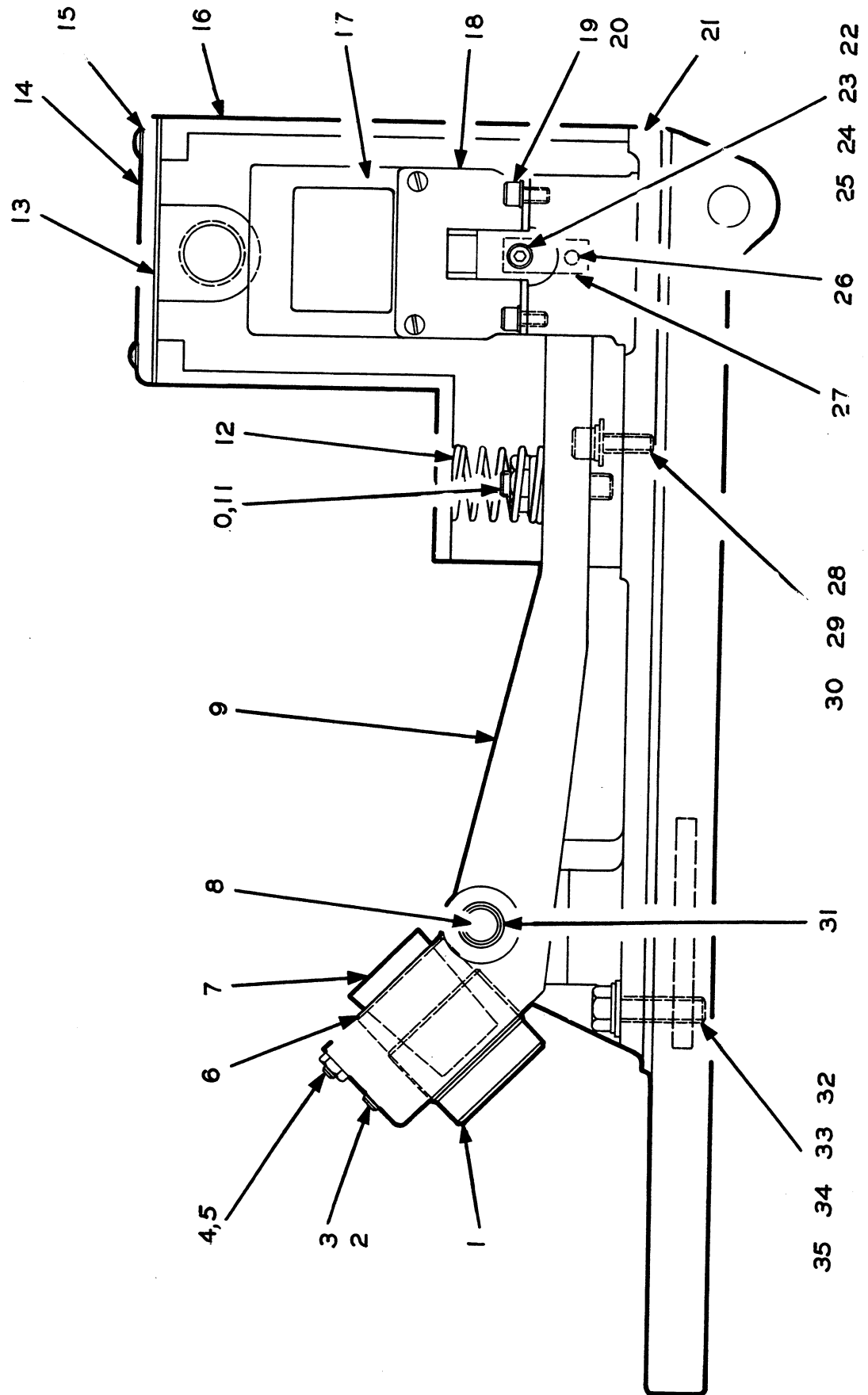
BRAKE PARTS LIST

Key No.	Part Number	Part Name	Amt. Used	Key No.	Part Number	Part Name	Amt. Used
1	BKA-9656	Bushing Support	1	19	100308	Screw	4
2	550608	Screw	1	20	CM-2840	Lockwasher	4
3	N6W-9450	Nylon Plug	1	21	DVA-9652	Mounting Plate	1
4	HC-10259	Key	1	22	BKA-10493	Screw	1
5	BMD-2883	Nut	1	23	GEA-10111	Spacer	2
6	HC-10258	Adjusting Bushing	1	24	BMD-3623	Washer	11
7	FBC-4160	Cork	1	25	U-3942	Nut	1
8	DV-9655	Pin	1	26	187-1000-9862	Pin	1
9	DVA-9653	Brake Pin	1	27	SBA-9654	Brake Link	1
10	551024	Screw	1	28	100610	Screw	2
11	3-1425	Nut	1	29	CM-2845	Lockwasher	2
12	HC-8872	Spring	1	30	9-7910	Washer	2
13	DVA-10116	Gasket	1	31	X50-8231	Retaining Ring	2
14	DVA-10115	Cover	1	32	150824	Screw	2
15	300410	Screw	2	33	MD-3227	Lockwasher	2
16	DVD-9820	Brake Cover	1	34	BK-10438	Washer	2
17	8831	Solenoid	1	35	DV-10680	Nut	2
18	GEB-10218	Solenoid Support	2				

WHEN ORDERING PARTS, GIVE KEY NUMBER, PART NUMBER AND PART NAME. BE SURE TO GIVE COMPLETE SERIAL NUMBER WHICH IS STAMPED ON BACK END OF RIGHT HAND END OF BED

BRAKE ASSEMBLY PARTS LIST

FOR MODEL HC MACHINES

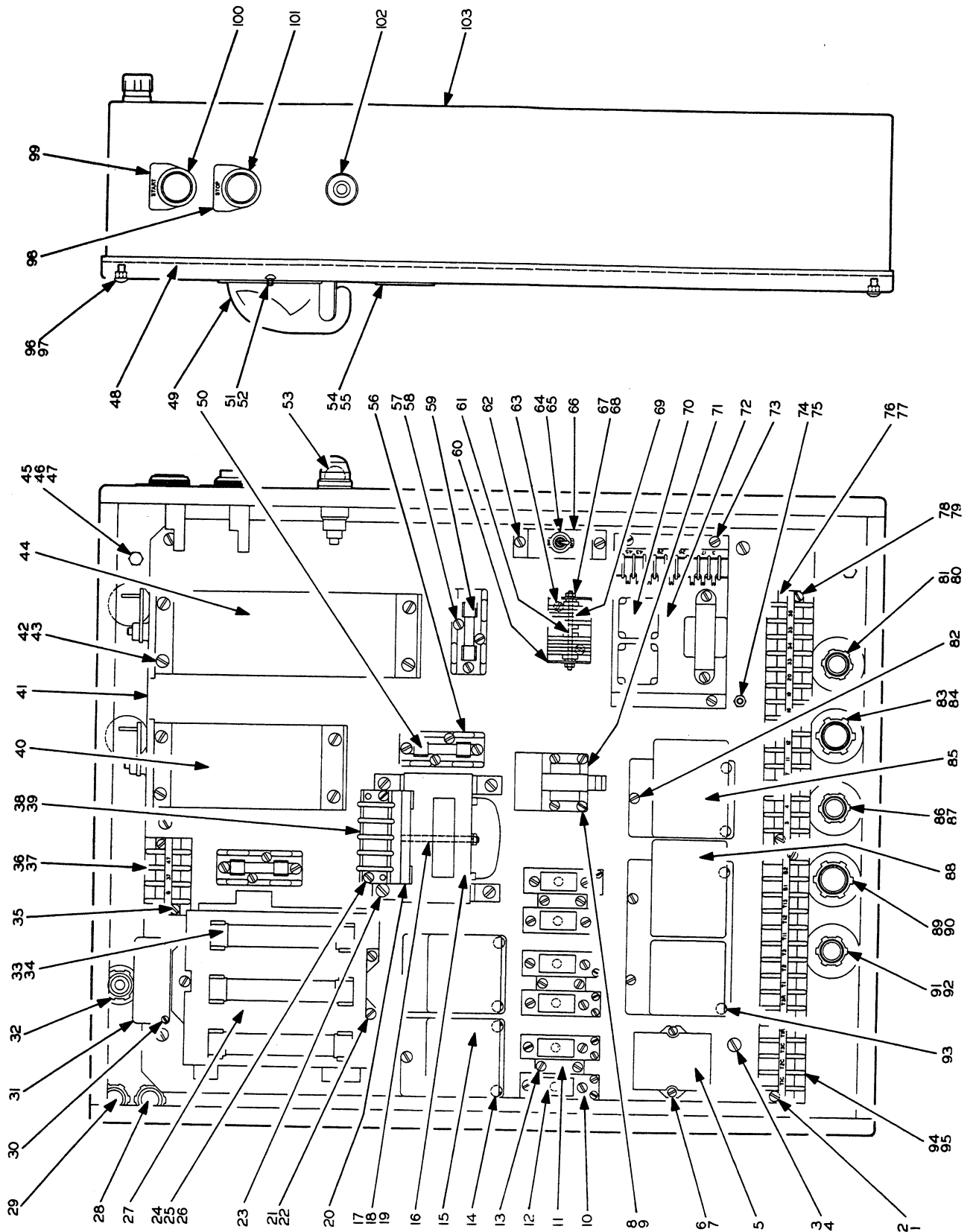


ELECTRIC CONTROL PANEL PARTS LIST

Key No.	Part Number	Part Name	Amt. Used	Key No.	Part Number	Part Name	Amt. Used
1	350312	Screw	2	53	DQR-10557	Pilot Light Lamp	1
2	WD-9028	Lockwasher	2	54	8074	Data Plate	1
3	350608	Screw	5	55	R-8044	Escutcheon Pin	4
4	CM-2845	Lockwasher	5	56	DV-10017	Fuse Cut-out	3
5	LH-8775	Contactor	1	57	350206	Screw	6
6	350316	Screw	2	58	HC-2840	Lockwasher	6
7	WD-9028	Lockwasher	2	59	JHL-9610	Fuse	2
8	350206	Screw	4	60	JCA-10415	Bracket	1
9	HC-2840	Lockwasher	4	61	P-9575	Rectifier Stud	1
10	HVA-8122	Overload Relay	6	62	350306	Screw	2
11	LH-9864	Relay Support	3	63	360307	Screw	2
12	9833	Heaters		64	SW-3650	Toggle Switch	1
13	360307	Screw	6	65	NP-10428	"On" - "Off" Plate	1
14	360307	Screw	6	66	HCV-10427	Bracket	1
15	RG-8775	Contactor	2	67	MN-8138	Nut	2
16	CH-8776	Transformer	1	68	SL-8137	Lockwasher	6
17	350348	Screw	1	69	HPA-9335	Rectifier	2
18	37A-361	Nut	1	70	CH-11170	Relay	2
19	CM-2840	Lockwasher	1	71	JHL-10019	Brake Relay	1
20	LH-11061	Bracket	1	72	CH-11179	Power Supply & Relay Assembly	1
21	360310	Screw	3				
22	G-10481	Spacer	3	73	360307	Screw	4
23	360307	Screw	4	74	DV-10545	Grounding Post	1
24	37A-361	Nut	2	75	DV-10546	Nut	3
25	CM-2840	Lockwasher	2	76	H14-8116	Terminal Strip	1
26	350312	Screw	2	77	CHA-14-9175	Marker Strip	1
27	JG-10016	Disconnect Switch	1	78	350312	Screw	2
28	6-9207	Cord Connector	1	79	WD-9028	Lockwasher	2
29	50-10225	1/2" Straight Conn.	1	80	950-10225	1/2" 90° Connector	1
30	350104	Screw	2	81	50-10226	Neoprene Washer	1
31	P-10302	Instruction Plate	1	82	360307	Screw	3
32	6-9207	Cord Connector	1	83	4575-10225	3/4" 45° Connector	1
33	9610	Mainline Fuse	3	84	75-10226	Neoprene Washer	1
34	JG-10017	Fuse Clip	1 Set	85	CH-8775	Contactor	1
35	350312	Screw	2	86	950-10225	1/2" 90° Connector	1
36	H3-8116	Terminal Strip	1	87	50-10226	Neoprene Washer	1
37	CHA-3-9175	Marker Strip	1	88	P-8775	Contactor	1
38	4-8116	Terminal Strip	1	89	4575-10225	3/4" 45° Connector	1
39	A4-9175	Marker Strip	1	90	75-10226	Neoprene Washer	1
40	PA-2835	Speed Switch	1	91	950-10225	1/2" 90° Connector	1
41	CHA-1904	Switch Plate	1	92	50-10226	Neoprene Washer	1
42	350508	Screw	8	93	360307	Screw	4
43	6-9181	Lockwasher	8	94	H14-8116	Terminal Strip	1
44	GC-2834	Reverse Switch	1	95	CH-14-9175	Marker Strip	1
45	150610	Screw	4	96	GD-10465	Captive Screw	2
46	CM-2845	Lockwasher	4	97	GD-10755	Spacer	2
47	5P-2843	Nut	4	98	LH-10345	"Stop" Plate	1
48	9976	Gasket	1	99	J6-10345	"Start" Plate	1
49	JG-10359	Handle	1	100	LH-9973	"Start" Button	1
50	JHC-9610	Fuse	1	101	J6-9972	"Stop" Button	1
51	350304	Screw	3	102	DQR-9971	Pilot Light	1
52	WD-9028	Lockwasher	3	103	CH-1158	Switch Case	1

ELECTRIC CONTROL PANEL PARTS LIST

FOR MODEL HC MACHINES



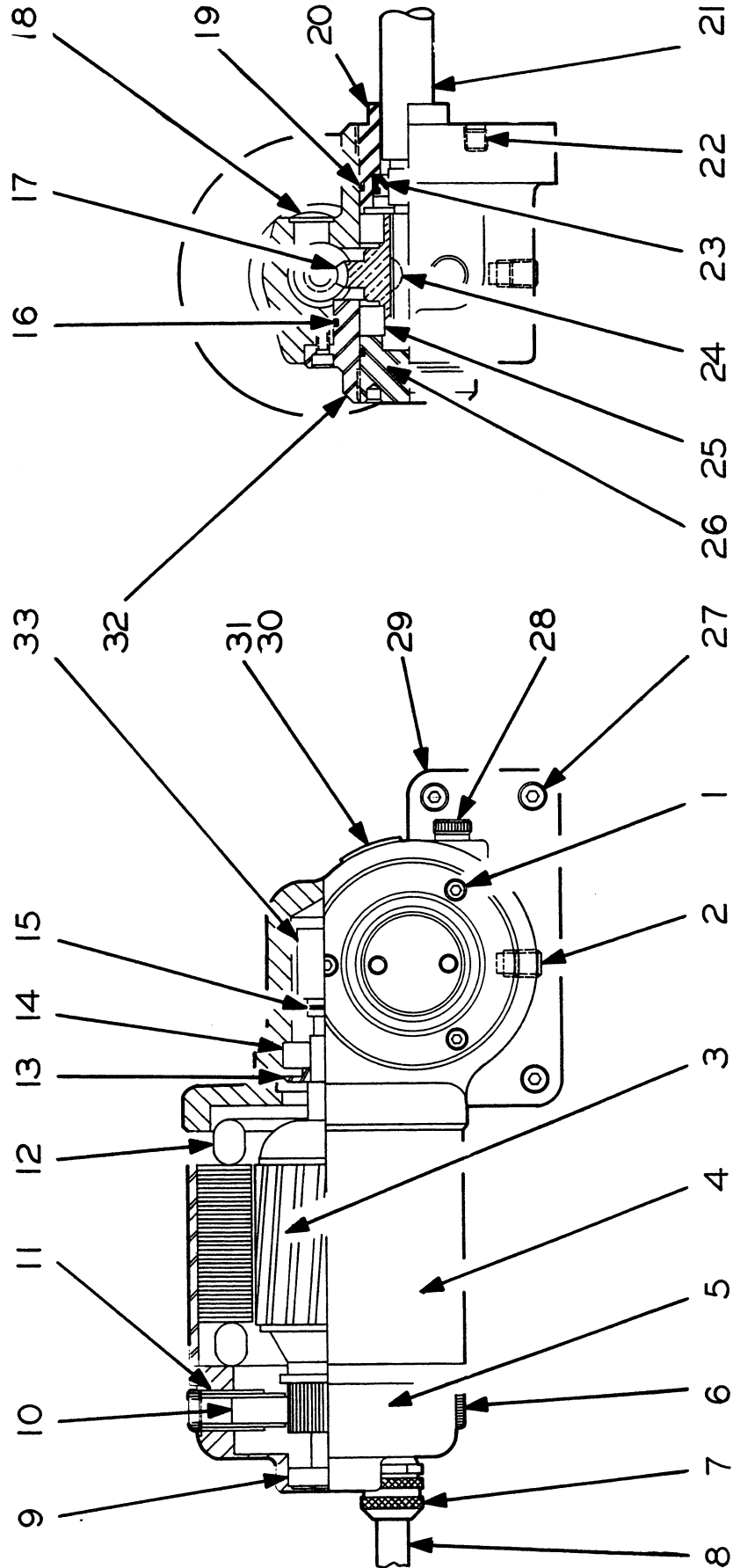
POWER FEED ASSEMBLY PARTS LIST

Key No.	Part Number	Part Name	Amt. Used	Key No.	Part Number	Part Name	Amt. Used
1	100306	Screw	3	17	CH-9345	Worm Wheel	1
2	5-1467	Pipe Plug	1	18	CP-9360-4	Plug	1
3	A-9332	Armature	1	19	OR-2022	"O" Ring	2
4	HC-9332	Motor	1	20	CH-11138	Adjusting Bushing	1
5	F-9332	End Bell	1	21	CH-2357	Drive Shaft	1
6	C-9332	Brush Caps	2	22	062-1467	Pipe Plug	1
7	J-9332	Grommet	1	23	CH-10124	Seal	1
8	3011	Cord		24	47-1514	Key	1
9	G-9332	Motor Bearing	1	25	CH-9361	Bearing	2
10	D-9332	Brush With Spring	2	26	CH-11137	Adjusting Bushing	1
11	E-9332	Brush Holder	2	27	100616	Screw	3
12	B-9332	Field, Coil, Pole & Shell Assembly	1	28	HL-10277	Oil Cup	1
13	HC-9578	Spacer	1	29	CH-7502	Housing	1
14	TL-6617	Bearing	1	30	PF-10011	Instruction Plate	1
15	094-0500-9862	Spring Pin	1	31	R-8044	Escutcheon Pin	4
16	OR-3234	"O" Ring	1	32	CH-11139	Bearing Support	1

WHEN ORDERING PARTS, GIVE KEY NUMBER, PART NAME. BE SURE TO GIVE COMPLETE SERIAL NUMBER WHICH IS STAMPED ON BACK END OF RIGHT HAND END OF BED

POWER FEED ASSEMBLY PARTS LIST

FOR MODEL HC MACHINES



HARDINGE BROTHERS, INC., ELMIRA, NEW YORK, U. S. A.

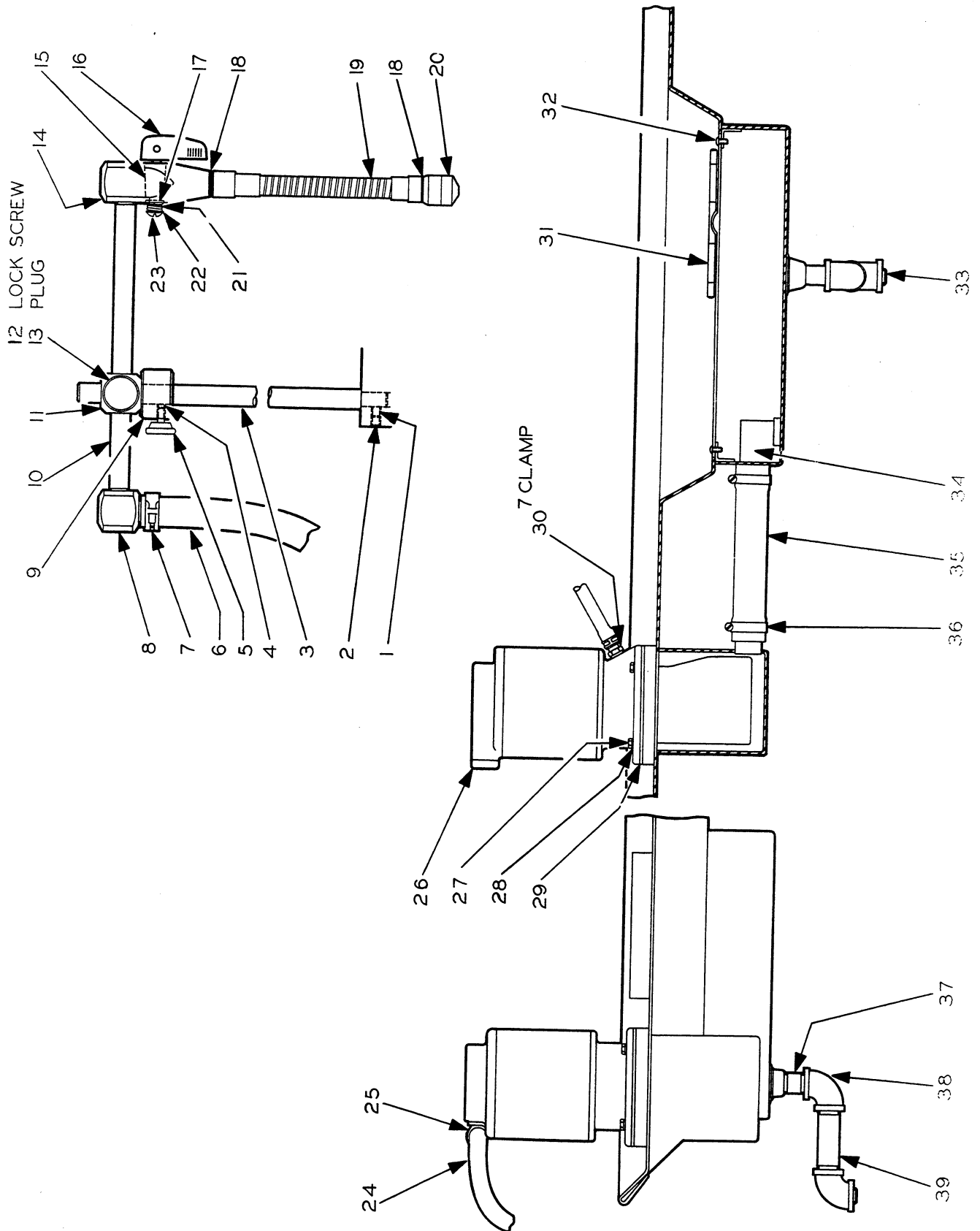
COOLANT FACILITIES PARTS LISTS

Key No.	Part Number	Part Name	Amt. Used	Key No.	Part Number	Part Name	Amt. Used
1	49-8260	Brass Plug	1	20	OFB-9468	Wide Oil Nozzle	1
2	550304	Set Screw	1	21	OF-10058	Spring	1
3	CH-9926	Upright	1	22	CP-1067	Washer	1
4	U-4901	Brass Plug	1	23	350304	Screw	1
5	OR-9471	Thumb Screw	1	24	10229	Conduit	1
6	40-6965	Hose	40"	25	10225	Connector	1
7	UA-6966	Hose Clamp	2	26	LH-3325	Pump	1
8	OFA-9928	Elbow	1	27	B-150516	Screw	4
9	OF-10412	Support	1	28	CM-2845	Lockwasher	4
10	OFL-9924	Elbow Support	1	29	RA-8226	Gasket	1
11	OFA-9929	Slide Connector	1	30	R-8384	Hose Connector	1
12	UA-8710	Thumb Screw	2	31	VD-8686	Sump Cover	1
13	FB-6919	Brass Plug	2	32	300608	Cover Screws	4
14	OFA-9467	Valve Body	1	33	MD-3487	Plug	1
15	OF-10059	Valve Insert	1	34	LH-3313	Sump Screen	1
16	OF-10060	Valve Lever	1	35	LH-8221	Hose	1
17	OF-10061	Insert Washer	1	36	LH-6966	Hose Clamp	2
18	OFA-9431	Sealing Ring	2	37	2-10109	Close Nipple	1
19	CH-9694	Flexible Tube Extension	1	38	JL-10110	Elbow	2
				39	4-10109	Pipe Nipple	-

WHEN ORDERING PARTS, GIVE KEY NUMBER, PART NUMBER AND PART NAME. BE SURE TO GIVE COMPLETE SERIAL NUMBER WHICH IS STAMPED ON BACK END OF RIGHT HAND END OF BED

COOLANT FACILITIES PARTS LISTS

FOR MODEL HC MACHINES



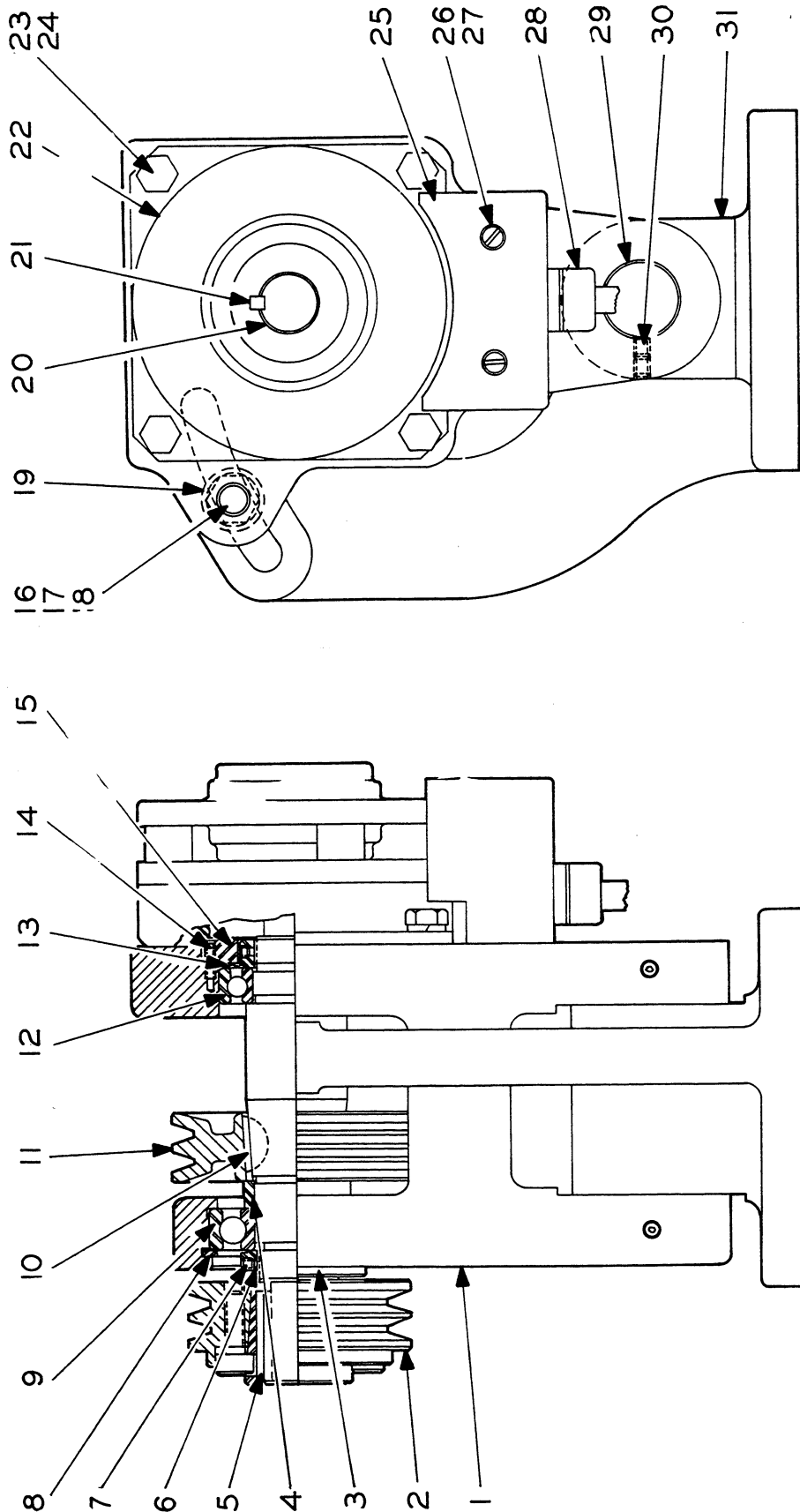
HOT-ROD COUNTER SHAFT PARTS LISTS

Key No.	Part Number	Part Name	Amt. Used	Key No.	Part Number	Part Name	Amt. Used
1	QC-10467	Support	1	16	37-622	Washer	1
2	QC-10480-5	Pulley	1	17	5P-6434	Lockwasher	1
3	QC-10531	Nut	2	18	C-151436	Screw	1
4	QC-10481-1	Spacer	1	19	QC-10481	Spacer	1
5	QC-7533	Key	1	20	QC-3218	Counter Shaft	1
6	N-37-736	Plug	2	21	QC-7534	Key	1
7	550303	Screw	2	22	VQ-10462	Brake	1
8	NB-283-8231	Snap Ring	1	23	151012	Screw	4
9	QCA-11144	Bearing	1	24	MD-3591	Lockwasher	4
10	5-1479	Key	1	25	VQ-10475	Cable Support	1
11	QC-3207	Fixed Pulley	1	26	350306	Screw	2
12	QC-6520	Bearing	1	27	CM-2840	Lockwasher	2
13	VH-9912	Wave Washer	1	28	6-9207	Cord Connector	1
14	320108	Screw	2	29	QC-11143	Pin	1
15	VQ-8346	Retaining Ring	1	30	550505	Screw	4
				31	QC-10519	Lock Support	1

WHEN ORDERING PARTS , GIVE KEY NUMBER, PART NUMBER AND PART NAME. BE SURE TO GIVE COMPLETE SERIAL NUMBER WHICH IS STAMPED ON BACK END OF RIGHT HAND END OF BED

HOT-ROD COUNTER SHAFT PARTS LIST

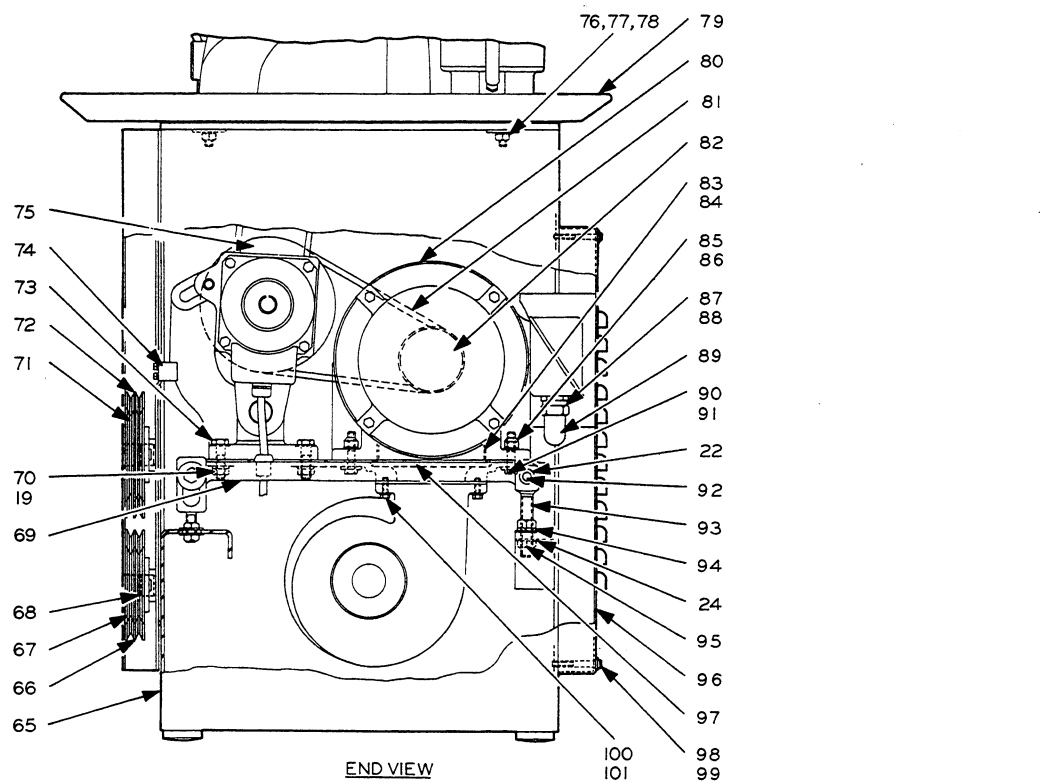
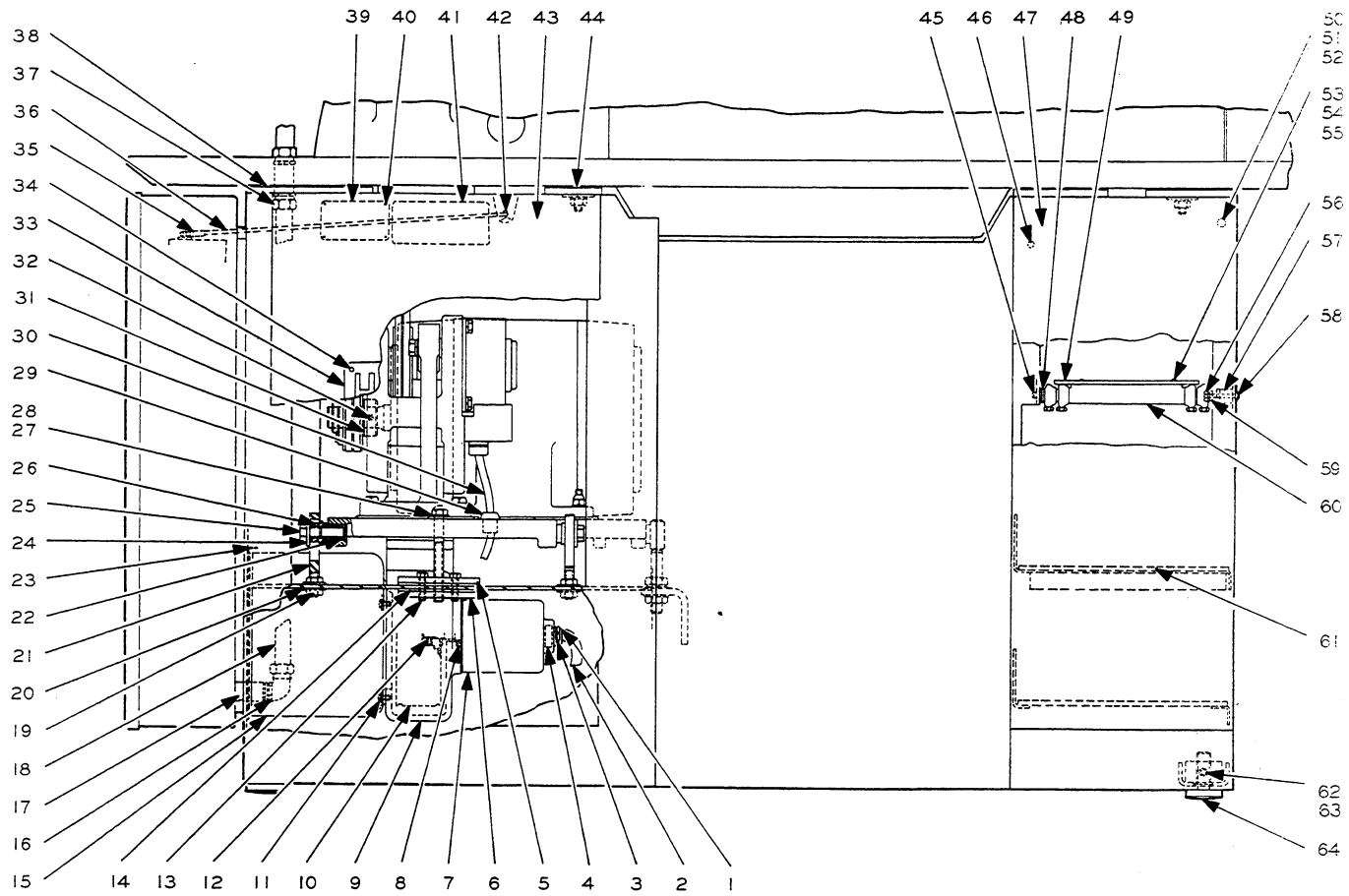
FOR MODEL HC MACHINES



Key No.	Part Number	Part Name	Amt. Used	Key No.	Part Number	Part Name	Amt. Used
1	VQ-10805	Cable Grip	1	52	5P-2843	Nut	10
2	74-3011	Cord	2ft.	53	B-400410	Screw	4
3	10-9431	"O" Ring	1	54	5P-6448	Nut	4
4	TL-6617	Bearing	1	55	CM-2840	Washer	4
5	HLA-9998	Upper Plate	1	56	6-8747	Nut	4
6	HLA-9999	Lower Plate	1	57	HLA-10073	Spacer	2
7	DQR-10222-RM	Blower Motor	1	58	300424	Screw	2
8	TL-9174	Bearing	1	59	MD-2883	Nut	4
9	QC-10466	Fan Housing	1	60	6-8780	Collet Board Assembly	1
10	DQR-10464	Blower Wheel	1	61	LH-3788	Tool Shelf	1
11	300608	Screw	3	62	551012	Screw	1
12	550606	Screw	1	63	TL-6466	Brass Plug	1
13	150720	Bolt	2	64	6W-9454	Adjustable Foot	1
14	QC-9997	Rubber Insulator	2	65	QCA-1990	Pedestal Base	1
15	QC-10474	Blower Intake	1	66	QC-10480-3	Pulley	1
16	950-10225	1/2"-90° Connector	1	67	QC-10480-1	Pulley	1
17	QS-10288	Bushing	1	68	OR-1418	"O" Ring	4
18	50-10229	1/2" Conduit	6ft.	69	QCA-1991	Motor Plate	1
19	5-1466	Locknut	8	70	5P-6434	Washer	4
20	OL-7621	Washer	4	71	QC-10480-2	Pulley	1
21	QC-1995	Plate Support	2	72	QC-10480-4	Pulley	1
22	VS-9672	Rubber Bushing	4	73	151328	Bolt	1
23	VQ-1990-32	Screen	1	74	R-7980	Door Catch	1
24	QC-6826	Washer	6	75	QC-10480-6	Pulley	1
25	QC-9663	Stud	2	76	TL-4757	Washer	6
26	QC-1836	Support Nut	2	77	MD-3591	Lockwasher	6
27	5P-6433	Washer	1	78	B7-1502	Nut	6
28	VQ-10000	Bolt	1	79	QC-3315	Oil Pan	1
29	TL-9532	Rubber Grommet	1	80	QC-2249	Motor	1
30	62-3011	Cord	3ft	81	QC-3346	Motor Belt	1pr.
31	QC-10345	Locating Ring	1	82	QC-10480-5	Pulley	1
32	550504	Screw	1	83	QC-11145	Air Duct	1
33	FPB-4698	Name Plate	1	84	QC-1-565	Top Gasket	1
34	650104	Screw	4	85	TP-6836	Nut	4
35	WE-2850	Link	2	86	MD-6826	Washer	4
36	QC-3288	Pull Rod	2	87	75-10225	3/4" Connector	1
37	50-10225	1/2" Connector	1	88	75-10226	3/4" Washer	1
38	LHA-4910	Cork Pad	6	89	75-10229	3/4" Conduit	2ft.
39	3161	Speed Chart	1	90	WA-9191	Washer	4
40	R-8044	Escutcheon Pin	8	91	151032	Bolt	4
41	VQ-9858	Instruction Plate	1	92	HCB-9663	Stud	2
42	UE-4920	Cotter Pin	2	93	DV-1995	Eye Bolt	2
43	QC-3780	Motor Door	1	94	U-3985	Lockwasher	2
44	GWA-4910	Cord Pad	1	95	UA-4034	Nut	4
45	100310	Screw	4	96	QC-3782	Rear Cover	1
46	U-6916	Rubber Plug	7	97	QC-10778	Bottom Gasket	1
47	VD-8297	Collet Door	1	98	100640	Screw	4
48	5P-6431	Washer	8	99	HL-505	Washer	4
49	6A-2172	Collet Board	1	100	150816	Bolt	4
50	150610	Screw	10	101	MD-3227	Lockwasher	4
51	CM-2845	Lockwasher	10				

HOT-ROD PEDESTAL PARTS LIST

FOR MODEL HC MACHINES



END VIEW

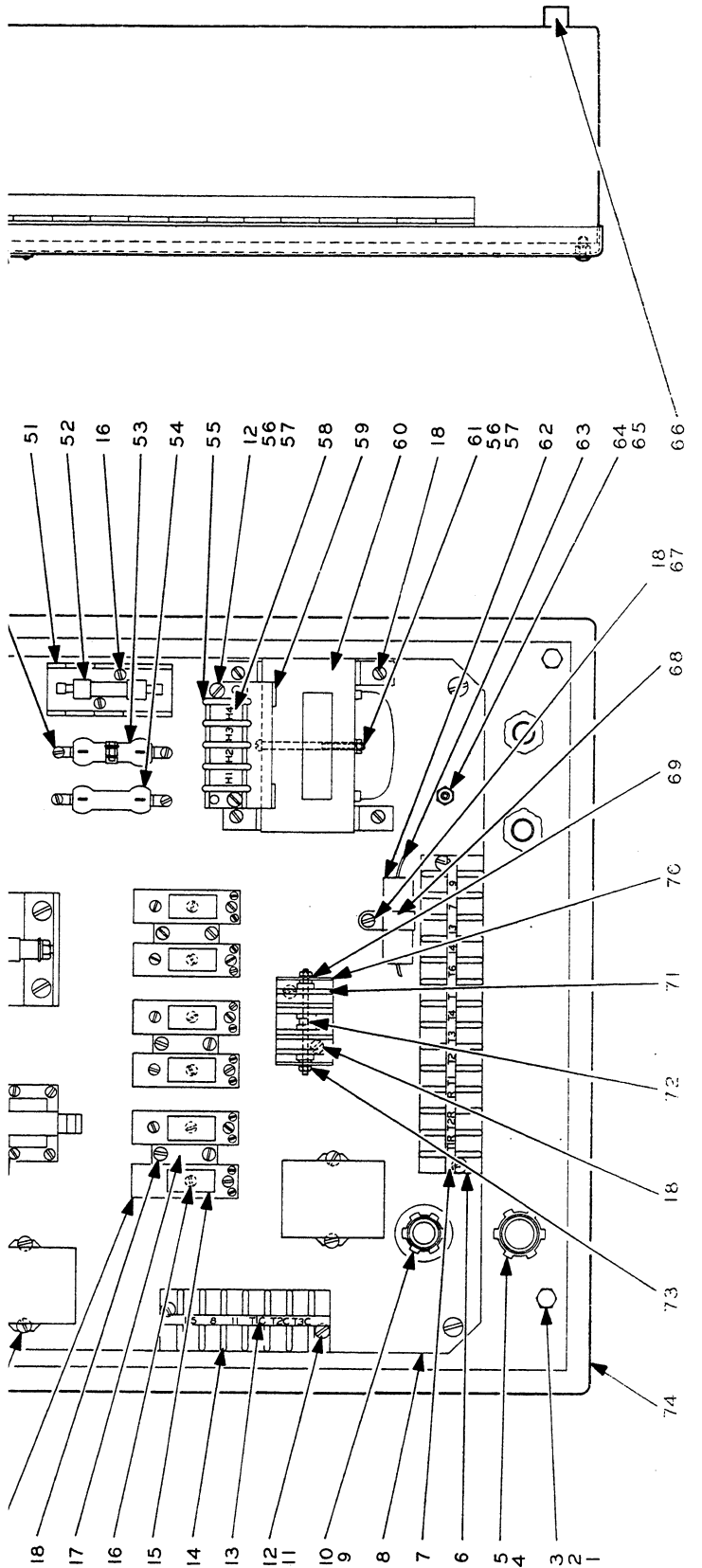
HOT-ROD ELECTRICAL PARTS LISTS

Key No.	Part Number	Part Name	Amt. Used	Key No.	Part Number	Part Name	Amt. U-
1	CM-2845	Lockwasher	9	38	LH-9973	Start Button	1
2	5P-2843	Nut	5	39	J6-10345	Legend Plate	1
3	150620	Bolt	4	40	LH-10345	Legend Plate	1
4	75-10226	3/4" Washer	1	41	J6-9972	Stop Button	1
5	75-10225	3/4" Connector	1	42	350304	Screw	3
6	H-13-8116	Terminal Strip	1	43	JG-10359	Handle Assembly	1
7	QC-9175-13	Marker Strip	1	44	24-9520	Legend Plate	1
8	QCA-1904	Switch Plate	1	45	LH-9553	Coolant Switch	1
9	50-10226	1/2" Washer	5	46	DQR-9971	Pilot Light	1
10	HS-15373-D	1/2" Closed Nipple	1	47	DQR-10557	Indicator Lamp	1
11	WD-9028	Lockwasher	11	48	R-8044	Escutcheon Pin	4
12	350312	Screw	6	49	8074	Data Plate	1
13	QC-9175-6	Marker	1	50	9976	Rubber Gasket	1
14	H-6-8116	Terminal Strip	1	51	DV-10017	Fuse Cutout	1
15	9833	Heaters		52	JHC-9610	Fuse	1
16	350206	Screw	16	53	400-25-10558	Resistor	1
17	LH-9864	Relay Support	3	54	200-25-10472	Resistor	1
18	360307	Screw	16	55	4-8116	Terminal Strip	1
19	HVA-8122	Relay	6	56	37A-361	Nut	3
20	350316	Screw	4	57	CM-2840	Lockwasher	3
21	LH-8775	Contacto	2	58	A4-9175	Marker Strip	
22	HC-2840	Lockwasher	8	59	LH-11061	Bracket	-
23	JHL-10019	Control Relay	1	60	CH-8776	Transformer	1
24	JG-10017	Fuse Clip	1	61	350348	Screw	1
25	9610	Fuse	3	62	DQR-10471	Capacitor	1
26	JG-10016	Disconnect Switch	1	63	DQR-10473	Insulation	4"
27	950-10225	1/2" Connector 90°	1	64	DV-10545	Grounding Post	1
28	350608	Screw	5	65	DV-10546	Nut	3
29	350104	Screw	2	66	QC-10755	Spacer	4
30	CQ-10302	Instruction Plate	1	67	DV-10496	Washer	1
31	6-9207	Connector	4	68	JHL-9623	Clamp	1
32	QC-2835	Speed Switch	1	69	SL-8137	Washer	8
33	350508	Screw	8	70	JCA-10415	Bracket	1
34	6-9181	Lockwasher	8	71	HPA-9335	Rectifier	2
35	QC-2834	Reverse Switch	1	72	P-9575	Stud	1
36	GD-10755	Spacer	2	73	MN-8138	Nut	2
37	GD-10465	Captive Screw	2	74	QC-4158	Switch Case	1

WHEN ORDERING PARTS, GIVE KEY NUMBER, PART NUMBER AND PART NAME. BE SURE TO GIVE COMPLETE SERIAL NUMBER WHICH IS STAMPED ON BACK END OF RIGHT HAND END OF BED

ERIC PARTS LIST

ERIC MACHINES



ELMIRA, NEW YORK, U. S. A.



"Performance Has Established Leadership for Hardinge"®

Hardinge, Inc.

**Elmira, New York 14902-1507 USA
Phone: 607-734-2281 Fax: 607-734-8819**