



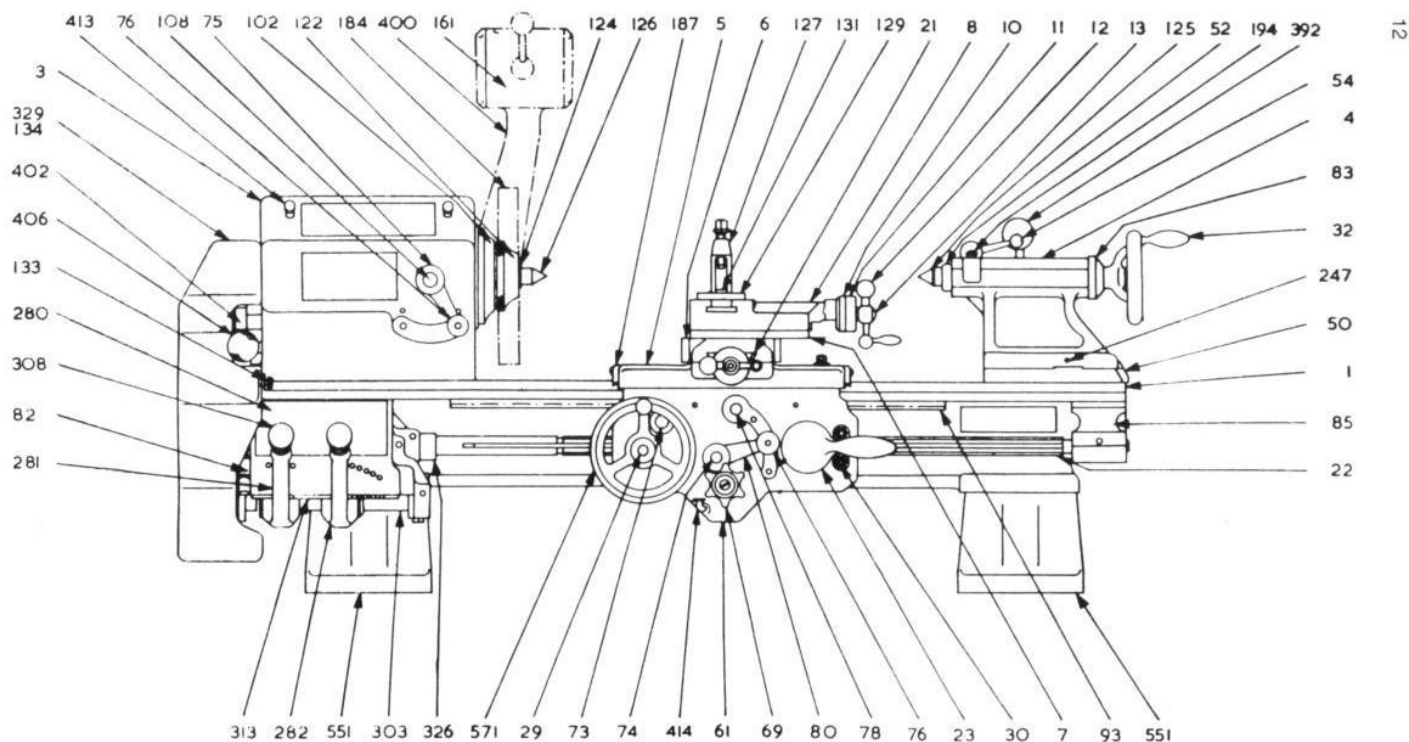
# Boxford Parts Manual

Dated January 21<sup>st</sup> 2011

## Index

### Table of Contents

General Assembly Mark1	2
General Assembly Mark2	4
VariSpeed Mechanical Speed Controller	7
VariSpeed Electrical Speed Encoder	8
Headstock Loo	10
Reverse Loo	12
Headstock Mk1	13
Headstock Mk2	15
Apron A/B (Old Version)	17
Apron A/B (Old Version)	17
Apron A/B	19
Apron C	21
Saddle & Compound	22
Gearbox Imperial	24
Gearbox Metric	26
Gearing, Mk1 & Bench Models	28
Standard Underneath Drive 1966 Onwards	30
Countershaft Underdrive From Oct 1962 to 1966	31
Countershaft Bench Model From 1958 Models A,B & C	32
Countershaft CSB From Sep 1957 to Jan 1958	33
Countershaft From Oct 1953 to Sep 1957	34
ChangeGears	36
Taper Turning Attachment	38
Countershaft For The ME10	39
Motor Pulley For The ME10	41
Tailstock	43

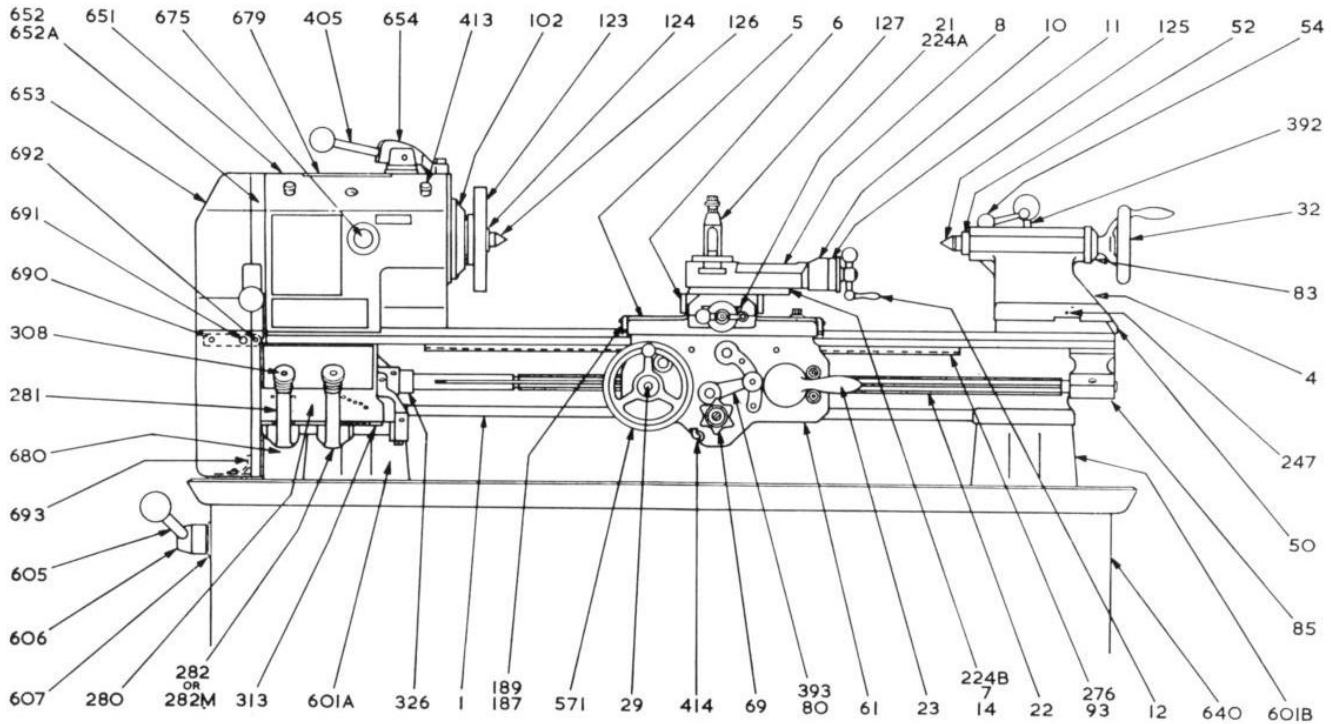


**Diagram Y. General Arrangement**

Part No's	General Assembly Mark1	
3656-1	BED 36", 42", 48"	obsolete
3656-3	HEADSTOCK (MK 1 & BENCH LATHES) 4.5"	obsolete
3656-4	TAILSTOCK	obsolete
3656-5A	SADDLE	£99.78
3656-6A	CROSS SLIDE (TEE SLOTTED)	£92.67
3656-7	COMPOUND REST SLIDE 4.5"	£42.96
3656-8A	TOOLSLIDE	£33.87
3656-10	TOOLSLIDE BUSH 1 5/8" DIAL FROM OCT. 1963 SERIAL NO. 12600 APPROX	£13.83
3656-11-ENG	DIAL (ENGLISH) 1 5/8" DIAL FROM OCT. 1963 SERIAL NO. 12600 APPROX	£22.50
3656-11-MET	DIAL (METRIC) 1 5/8" DIAL FROM OCT. 1963 SERIAL NO. 12600 APPROX	£121.53
3656-12/588	TOOL SLIDE HANDLE AND GRIP 588 ASSEMBLED	£36.81
3656-13	LOCKNUT	£3.12
3656-21S	"T" SLOT CROSS SLIDE GIB STRIP	£20.73
3656-22A36	LEAD SCREW (ENGLISH "A" MODEL 36")	obsolete
3656-22A42	LEAD SCREW (ENGLISH "A" MODEL 42")	£214.50
3656-22A48	LEAD SCREW (ENGLISH "A" MODEL 48")	£80.94
3656-22B36	LEAD SCREW (ENGLISH "B" MODEL 36")	obsolete
3656-22B42	LEAD SCREW (ENGLISH "B" MODEL 42")	£66.27
3656-22B48	LEAD SCREW (ENGLISH "B" MODEL 48")	£74.40
3656-22-36"BM	LEAD SCREW (METRIC "B" MODEL 36")	obsolete
3656-22-42"BM	LEAD SCREW (METRIC "B" MODEL 42")	£55.38
3656-22-48"BM	LEAD SCREW (METRIC "B" MODEL 48")	£76.68
3656-22C-36	LEAD SCREW (ENGLISH "C" MODEL 36")	obsolete
3656-22C42	LEAD SCREW (ENGLISH "C" MODEL 42")	£51.18
3656-22C48	LEAD SCREW (ENGLISH "C" MODEL 48")	£63.84
3656-22MC36	LEAD SCREW (METRIC "C" MODEL 36")	obsolete
3656-22MC42	LEAD SCREW (METRIC "C" MODEL 42")	£46.44



3656-22MC48	LEAD SCREW (METRIC "C" MODEL 48")	£61.44
3656-23A	SPLIT NUT LEVER AND HANDLE 589 ASSEMBLED	£19.47
3656-29	APRON HANDWHEEL PINION	£63.75
3656-30	HALF NUT PIVOT	£5.58
3656-32	TAILSTOCK HANDWHEEL (handle 3656-587A spindle 3656-853) Use 571B	£74.64
3656-50	TAILSTOCK BASE 4.5" SWING	obsolete
3656-52B	TAILSTOCK SPINDLE ENGLISH AND METRIC See 3656-52/95	£0.00
3656-52B/95	TAILSTOCK SPINDLE AND NUT ASSEMBLED	£177.45
3656-54	TAILSTOCK HANDLE	£34.20
3656-61	APRON ("A" AND "B" MODELS)	£138.66
3656-69	APRON CLUTCH KNOB MACHINES PRE SEP. 1974 SERIAL NO. 34500 APPROX.	£4.50
3656-69B	APRON CLUTCH KNOB MACHINES POST SEP. 1974 SERIAL NO. 34500 APPROX.	£3.15
3656-73A	RACK PINION STUD "A" OR "B" MODELS	£4.86
3656-74	IDLER GEAR SHIFTER	£14.76
3656-75	GEAR SHIFTER LEVER	£21.06
3656-76	GEAR SHIFTER KNOB	£5.70
3656-78	AUTO CROSS FEED STUD	£4.08
3656-80	IDLER GEAR SHIFTER LEVER	£11.01
3656-82A	CHANGE GEAR QUADRANT	£46.14
3656-83	TAILSTOCK BUSH	£8.04
3656-85	LEAD SCREW BRACKET REAR	£23.16
3656-93	RACK 36" 42", 48"	obsolete
3656-102A	FRONT COVER PLATE 3 HOLE FIXING ONLY	obsolete
3656-108	GEAR SHIFTER ECCENTRIC	£27.15
3656-122	NOSE CAP	£18.45
3656-124	SLEEVE	£11.55
3656-125	TAILSTOCK CENTRE	£25.86
3656-126	HEADSTOCK CENTRE	£19.86
3656-127	AMERICAN TOOL POST BODY	£26.73
3656-129	AMERICAN TOOL POST BLOCK	£37.50
3656-131A	AMERICAN TOOL POST WEDGE	£37.59
3656-133	GUARD THUMB SCREW	£1.47
3656-134	CHANGE GEAR GUARD	obsolete
3656-161	STANDARD SWITCH SBC 137 KA: SBC137 KA-A7 Switch	£196.50
3656-184	FACE PLATE	£75.00
3656-187LH	FELT HOLDER LEFT HAND	£3.69
3656-187RH	FELT HOLDER RIGHT HAND	£3.69
3656-194	OIL DIPPER	obsolete
3656-247	TAILSTOCK OFFSET SCREW	obsolete
3656-280	GEAR BOX BODY (ENGLISH) & METRIC	obsolete
3656-281	L.H. GEAR BOX LEVER	£90.00
3656-282	R.H. GEAR BOX LEVER (ENGLISH AND METRIC)	£90.00
3656-303	GEAR LEVER SHAFT	£25.83
3656-308	KNOB (GEAR BOX)	£4.95
3656-313	KEY (INTER SHAFT)	£5.76
3656-326	LEAD SCREW COLLAR	£3.12
3656-329	CHANGE GEAR GUARD	obsolete
3656-392	TAILSTOCK CLAMP HANDLE	£3.18
3656-400	SWITCH BRACKET	obsolete
3656-402	REVERSE GEAR BRACKET	£31.53
3656-406	KNOB 1" DIA. X 3/8W	£3.99
3656-413	GREASE LUBRICATOR	obsolete
3656-414	RIGHT ANGLED SNAP LID OILER	obsolete
3656-551	FOOT	obsolete
3656-571B	4.5" HANDWHEEL WITH GRIP 587A AND STUD 853	£74.64



**Diagram Z. General Arrangement Mk. II**

11

Part No's	General Assembly Mark2	
3656-1	BED 36", 42", 48"	obsolete
3656-4	TAILSTOCK	obsolete
3656-5A	SADDLE	£99.78
3656-6A	CROSS SLIDE (TEE SLOTTED)	£92.67
3656-7	COMPOUND REST SLIDE 4.5"	£42.96
3656-7A	COMPOUND REST SLIDE 5.0"	£42.96
3656-8A	TOOLSLIDE	£33.87
3656-10	TOOLSLIDE BUSH 1 5/8" DIAL FROM OCT. 1963 SERIAL NO. 12600 APPROX	£13.83
3656-10/SB	TOOLSLIDE BUSH 1 1/32" DIAL TO APR. 1951 SERIAL NO. 2500 APPROX	obsolete
3656-10/OT	TOOLSLIDE BUSH 1 1/2" DIAL FROM APR. 1951	obsolete
	SERIAL NO. 2500 TO OCT. 1963 SERIAL NO. 12600 APPROX	
3656-11-ENG	DIAL (ENGLISH) 1 5/8" DIAL FROM OCT. 1963 SERIAL NO. 12600 APPROX	£22.50
3656-11E/SB	DIAL (ENGLISH) 1 1/32" DIAL TO APR. 1951 SERIAL NO. 2500 APPROX	obsolete
3656-11E/OT	DIAL (ENGLISH) 1 1/2" DIAL FROM APR. 1951	obsolete
	SERIAL NO. 2500 TO OCT. 1963 SERIAL NO. 12600 APPROX	
3656-11ED	DIAL (ENGLISH-DIRECT READING)	obsolete
3656-11-MET	DIAL (METRIC) 1 5/8" DIAL FROM OCT. 1963 SERIAL NO. 12600 APPROX	£121.53
3656-11M/SB	DIAL (METRIC) 1 1/32" DIAL TO APR. 1951 SERIAL NO. 2500 APPROX	obsolete
3656-11M/OT	DIAL (METRIC) 1 1/2" DIAL FROM APR. 1951	obsolete
	SERIAL NO. 2500 TO OCT. 1963 SERIAL NO. 12600 APPROX	
3656-11MD	DIAL (METRIC-DIRECT READING)	£30.00
3656-11VE	DIAL (MILLING ATTACHMENT-ENGLISH)	£14.61
3656-11VM	DIAL (MILLING ATTACHMENT-METRIC)	£14.61
3656-12/588	TOOL SLIDE HANDLE AND GRIP 588 ASSEMBLED	£36.81
3656-22A36	LEAD SCREW (ENGLISH "A" MODEL 36")	obsolete
3656-22A42	LEAD SCREW (ENGLISH "A" MODEL 42")	£214.50
3656-22A48	LEAD SCREW (ENGLISH "A" MODEL 48")	£80.94
3656-22B36	LEAD SCREW (ENGLISH "B" MODEL 36")	obsolete

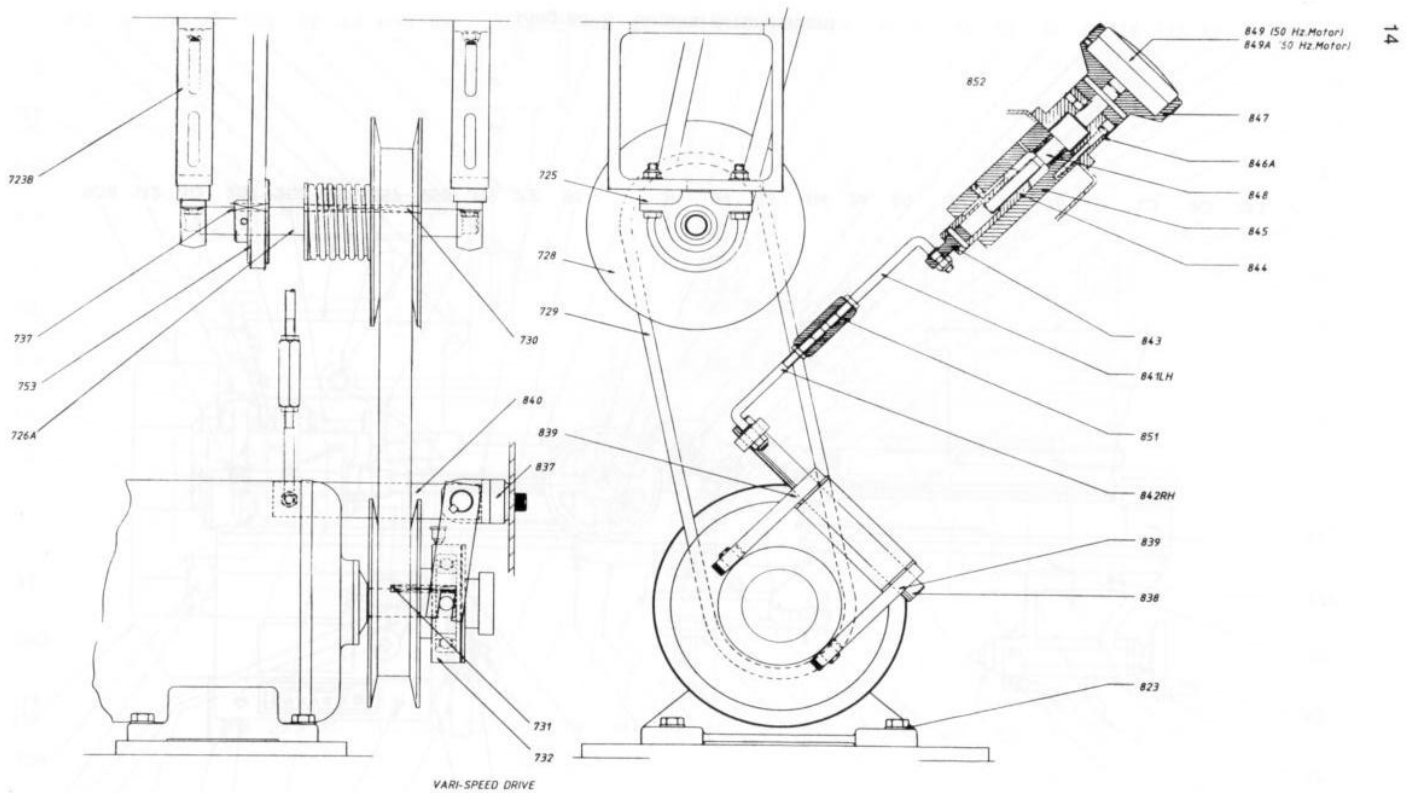


3556-22B42	LEAD SCREW (ENGLISH "B" MODEL 42")	£66.27
3656-22B48	LEAD SCREW (ENGLISH "B" MODEL 48")	£74.40
3656-22-36"BM	LEAD SCREW (METRIC "B" MODEL 36")	obsolete
3656-22-42"BM	LEAD SCREW (METRIC "B" MODEL 42")	£55.38
3656-22-48"BM	LEAD SCREW (METRIC "B" MODEL 48")	£76.68
3656-22C-36	LEAD SCREW (ENGLISH "C" MODEL 36")	obsolete
3656-22C42	LEAD SCREW (ENGLISH "C" MODEL 42")	£51.18
3656-22C48	LEAD SCREW (ENGLISH "C" MODEL 48")	£63.84
3656-22MC36	LEAD SCREW (METRIC "C" MODEL 36")	obsolete
3656-22MC42	LEAD SCREW (METRIC "C" MODEL 42")	£46.44
3656-22MC48	LEAD SCREW (METRIC "C" MODEL 48")	£61.44
3656-23A	SPLIT NUT LEVER AND HANDLE 589 ASSEMBLED	£19.47
3656-29	APRON HANDWHEEL PINION	£63.75
3656-32	TAILSTOCK HANDWHEEL (handle 3656-587A spindle 3656-853) Use 571B	£74.64
3656-50	TAILSTOCK BASE 4.5" SWING	obsolete
3656-50A	TAILSTOCK BASE 5.0" SWING 1.270" THICK	£27.36
3656-52B	TAILSTOCK SPINDLE ENGLISH AND METRIC See 3656-52/95	£0.00
3656-52/95	TAILSTOCK SPINDLE AND NUT ASSEMBLED	£177.45
3656-54	TAILSTOCK HANDLE	£34.20
3656-69	APRON CLUTCH KNOB MACHINES PRE SEP. 1974 SERIAL NO. 34500 APPROX	£4.50
3656-69A	APRON CLUTCH KNOB MACHINES POST SEP. 1974 SERIAL NO. 34500 APPROX.	£3.15
3656-80	IDLER GEAR SHIFTER LEVER	£11.01
3656-83	TAILSTOCK BUSH	£8.04
3656-85	LEAD SCREW BRACKET REAR	£23.16
3656-93-36"	RACK 36"	obsolete
3656-93-42"	RACK 42"	obsolete
3656-93-48"	RACK 42"	obsolete
3656-102A	FRONT COVER PLATE 3 HOLE FIXING ONLY	obsolete
3656-123	CATCH PLATE	£24.78
3656-124	SLEEVE	£11.55
3656-125	TAILSTOCK CENTRE	£25.86
3656-126	HEADSTOCK CENTRE	£19.86
3656-127	AMERICAN TOOL POST BODY	£26.73
3656-187 L.H.	FELT HOLDER LEFT HAND	£3.69
3656-187 R.H.	FELT HOLDER RIGHT HAND	£3.69
3656-189	WIPER	£0.18
3656-187/9ASS	SET COMPRISING 2 OFF 187LH, 2 OFF 187RH, 4 OFF 189, 4 SCREWS	£46.44
3656-224A	GIB STRIP PIN (TOOLSLIDE)	obsolete
3656-224B	GIB STRIP PIN (CROSS SLIDE)	£0.39
3656-247	TAILSTOCK OFFSET SCREW	obsolete
3656-280E	GEAR BOX BODY (ENGLISH)	obsolete
3656-280M	GEAR BOX BODY (METRIC)	obsolete
3656-281	L.H. GEAR BOX LEVER	£90.00
3656-282M	R.H. GEAR BOX LEVER (ENGLISH AND METRIC)	£90.00
3656-308	KNOB (GEAR BOX)	£4.95
3656-313	GUIDE PLATE (ENGLISH)	£5.76
3656-326	LEAD SCREW COLLAR	£3.12
3656-392	TAILSTOCK CLAMP HANDLE	£3.18
3656-393	APRON LEVER PIN	obsolete
3656-405	HANDLE	£30.00
3656-413	GREASE LUBRICATOR	obsolete
3656-414	RIGHT ANGLED SNAP LID OILER	obsolete
3656-601B	FOOT (TAILSTOCK) UNDERNEATH DRIVE LATHES	obsolete
3656-605	HANDLE Use 4740-16-24	£5.01
3656-606	HANDLE BOSS Use 4740-16-23	£11.76
3656-607	SUPPORT PLATE Use 4740-16-29	obsolete
3656-640	CABINET	obsolete
3656-651	HEADSTOCK (MK II) 4.5"	obsolete



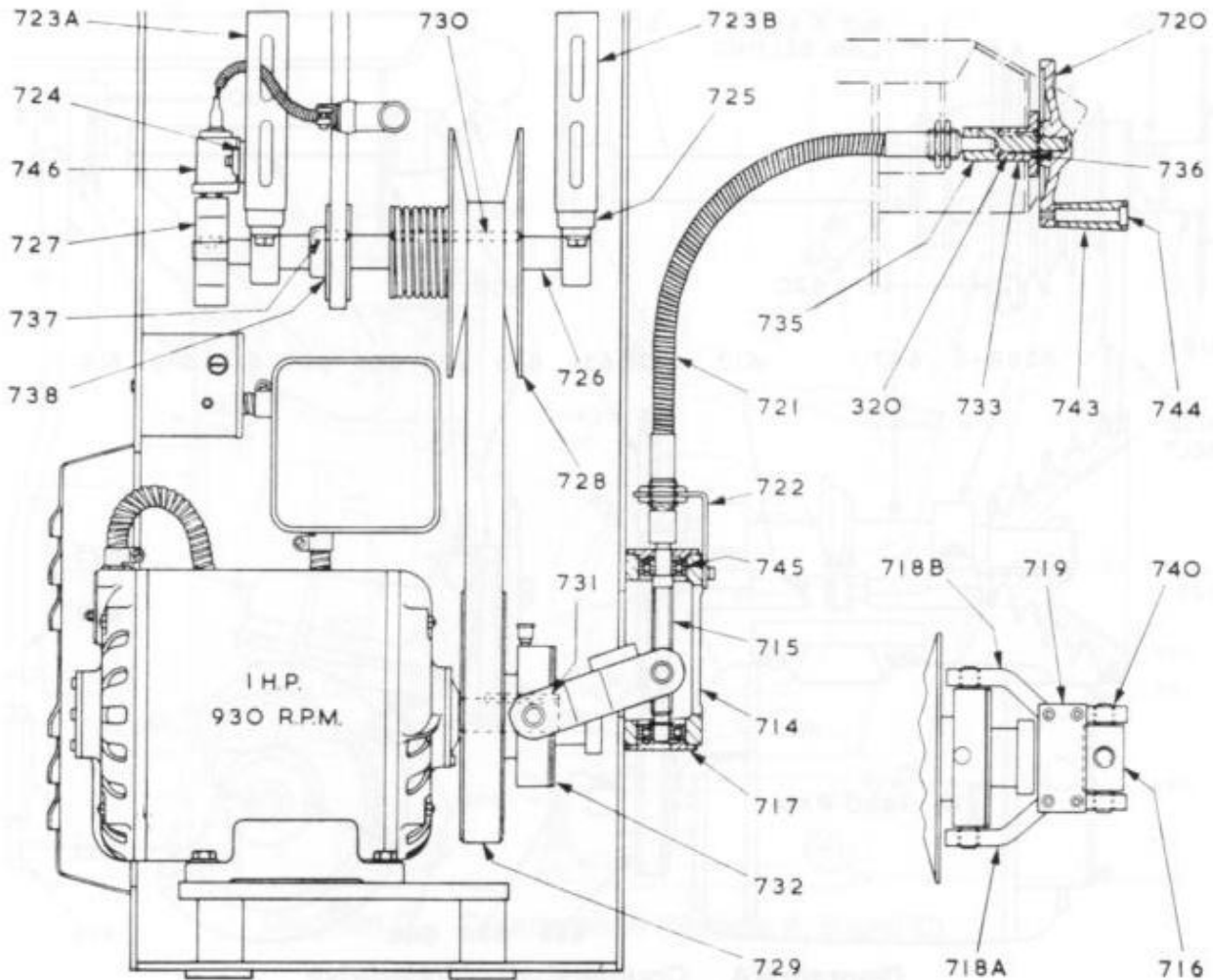
3656-651C	HEADSTOCK (MK II) 5.0"	£111.51
3656-652	GUARD PLATE	obsolete
3656-652A	GUARD PLATE HINGE	obsolete
3656-653	GUARD	obsolete
3656-675	SPINDLE LOCK PLUNGER	£8.64
3656-679	TOP PLATE	obsolete
3656-680A	REAR GUARD	£7.95
3656-690	GUARD SPRING	£0.78
3656-691	BUTTON	obsolete
3656-692	PART OF GUARD CATCH USED UP TO 1976	£3.00
3656-693	GUARD SWITCH BRACKET	Obsolete





**Diagram MA.**

Part No's	VariSpeed Mechanical Speed Controller	
3656-723B	HANGER	obsolete
3656-725	PLUMMER BLOCK 826R 0.75"	£21.00
3656-726A	SHAFT (INTER)	obsolete
3656-728	V/S PULLEY (SPRING)	£360.00
3656-729	V/S BELT (P.444)	obsolete
3656-730	KEY	obsolete
3656-731	MOTOR KEY	obsolete
3656-732	V/S PULLEY (MANUAL)	obsolete
3656-737	KEY	obsolete
3656-753	2.625" PULLEY (1") (3.0" O/D)	obsolete
3656-823	MOTOR CLAMPING WASHER	£2.70
3656-838	MODEL VSL FULCRUM SHAFT	obsolete
3656-839	MODEL VSL FULCRUM LEVER	obsolete
3656-840	MODEL VSL FULCRUM LEVER	obsolete
3656-841LH	MODEL VSL TIE ROD LEFT HAND	£2.79
3656-842RH	MODEL VSL TIE ROD RIGHT HAND	obsolete
3656-843	MODEL VSL TOP PIVOT	£5.73
3656-844	MODEL VSL NUT	obsolete
3656-845	MODEL VSL HOUSING	obsolete
3656-846A	MODEL VSL THRUST BOSS	obsolete
3656-847	MODEL VSL CONTROL HANDWHEEL	£59.85
3656-848	MODEL VSL OPERATING SCREW	£12.93
3656-849	MODEL VSL SPEED INDIC. DIAL 50Hz 50-2000	£105.00
3656-849A	MODEL VSL SPEED INDIC. DIAL 60Hz 60-2400	£105.00
3656-851	MODEL VSL TENSION NUT	£7.74
3656-852	MODEL VSL NUT RETAINING SCREW	£0.90



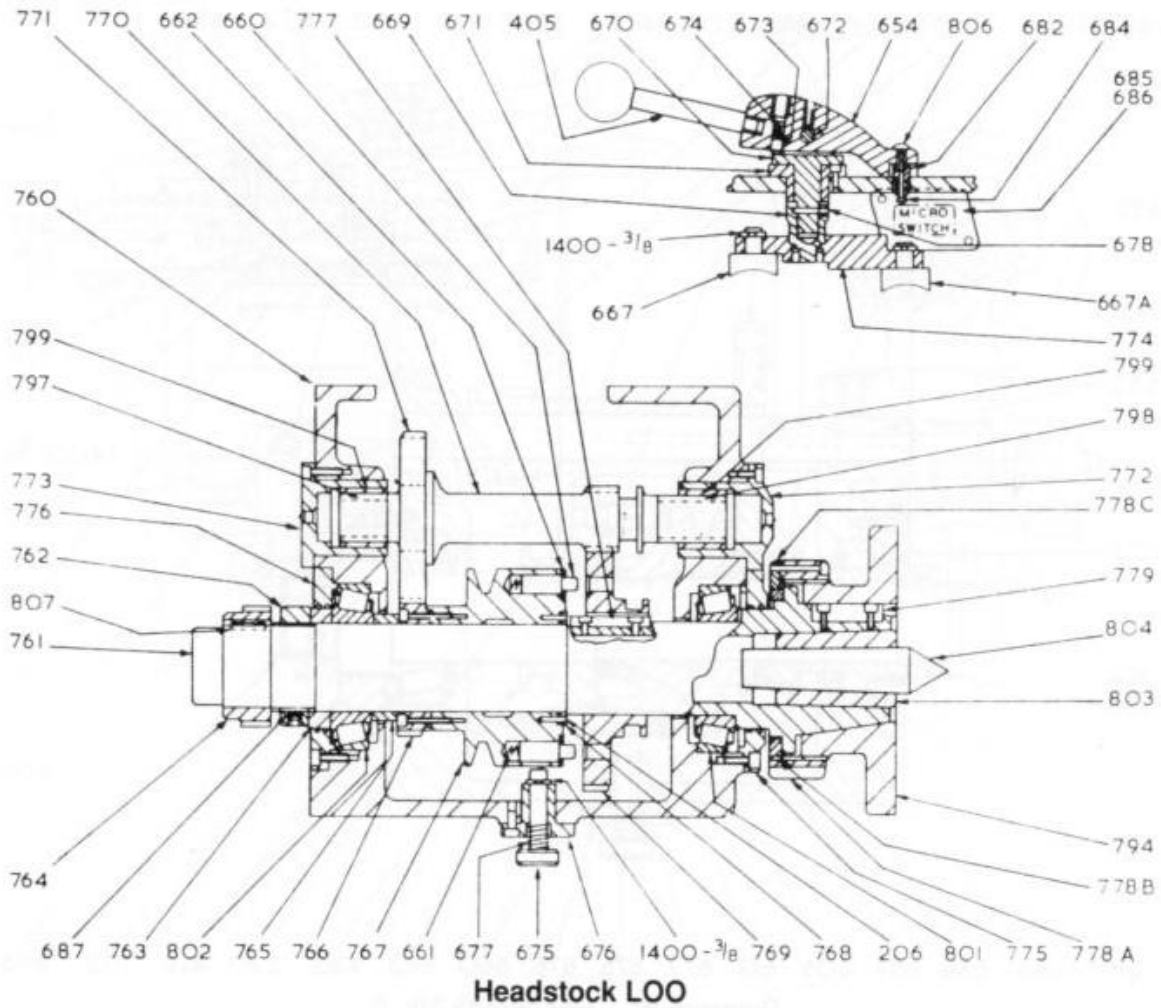
**Diagram M. Vari-Speed Drive Unit**

Part No's	VariSpeed Electrical Speed Encoder	
3656-320	NEEDLE BEARING BR-88	£7.41
3656-714	HOUSING	obsolete
3656-715	VERTICAL SCREW	obsolete
3656-716	NUT	£10.50
3656-717	BEARING COVER	obsolete
3656-718A	TRUNNION LEVER	obsolete
3656-718B	TRUNNION LEVER	obsolete
3656-719	STRAP	obsolete
3656-720	HANDWHEEL	obsolete
3656-721	REMOTE CONTROL ASSEMBLY	obsolete
3656-722	BRACKET	obsolete
3656-723A	HANGER (SENS.HD.)	obsolete
3656-723B	HANGER	obsolete
3656-724	STRAP (SENS.HD.)	obsolete
3656-725	PLUMMER BLOCK 826R 0.75"	£21.00
3656-726A	SHAFT (INTER)	obsolete
3656-727	ROTOR	obsolete
3656-728	V/S PULLEY (SPRING)	£360.00
3656-729	V/S BELT (P.444)	obsolete
3656-730	KEY	obsolete





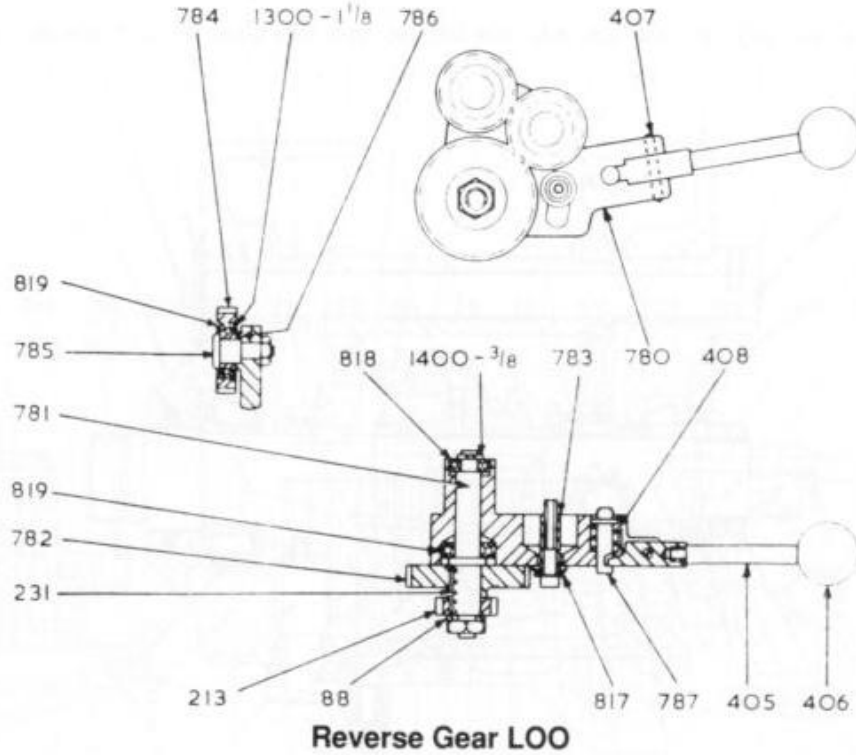
3656-731	MOTOR KEY	obsolete
3656-732	V/S PULLEY (MANUAL)	obsolete
3656-733	BUSH	obsolete
3656-735	COUPLING	£6.00
3656-736	SPACING WASHER	obsolete
3656-737	KEY	obsolete
3656-738	2.5" PULLEY (1")	obsolete
3656-740	BUSH	£0.00
3656-743	GRIP HANDLE	obsolete
3656-744	SOCKET SHOULDER SCREW	obsolete
3656-746	LIGHT DUTY SENSING HEAD	obsolete
BR-826R	3/4" PICADOR 826R UPPER SHAFT U/D LATHES	£21.00



Part No's	Headstock Loo	
3656-206	SPINDLE PULLEY PIN	obsolete
3656-405	HANDLE	£30.00
3656-654	GEAR LEVER	£47.91
3656-660	DRIVE PIN	£4.29
3656-661	COMPRESSION SPRING	£1.59
3656-662	RETAINING PIECE	£0.21
3656-667	SHOE (PHOS. BRONZE)	£8.46
3656-667A	SHOE (HDN. STEEL)	£7.38
3656-668	GEAR SHIFTER BAR	£15.69
3656-669	GEAR SHIFTER SPINDLE	£5.73
3656-670	GEAR SHIFTER BOSS	£34.59
3656-671	BUSH	£10.77
3656-672	PIN (PIVOT)	£1.59
3656-673	PLUNGER	£0.90
3656-674	GEAR LEVER SPRING	£4.20
3656-675	SPINDLE LOCK PLUNGER	£8.64
3656-676A	SPINDLE LOCK BUSH	£9.57
3656-677	SPINDLE LOCK SPRING	£1.41
3656-678	SCREWED PIN	£0.54
3656-682	LOCATING BUSH	£6.96
3656-684	SWITCH ACTUATING PIN	£2.07
3656-685	SWITCH COVER PLATE	£1.65
3656-686	SWITCH SPACING BUSH	£1.92



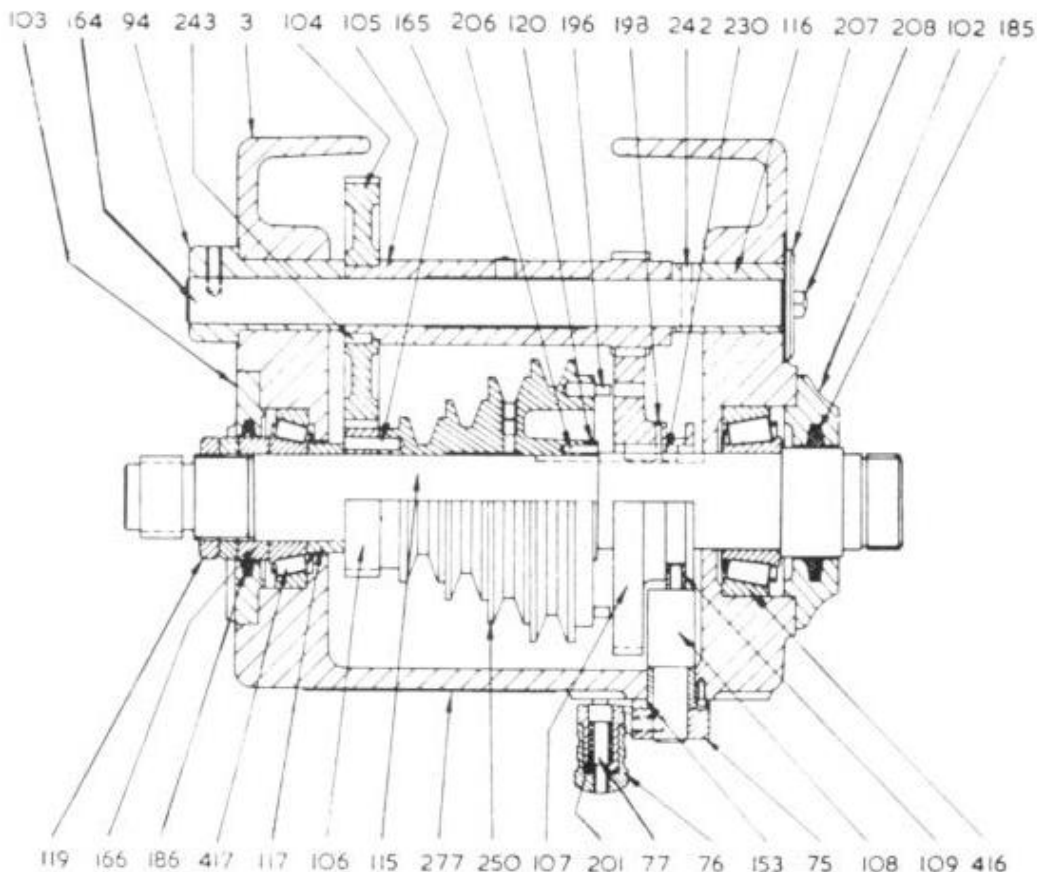
3656-687	SLUG (LOCKNUT)	£0.57
3656-760	HEADSTOCK CASTING (LOO)	£125.70
3656-761	SPINDLE (LOO)	£145.80
3656-762	SPINDLE LOCKNUT (LOO)	£21.45
3656-763	SPACING WASHER	£5.46
3656-764	SPINDLE GEAR 48T	£22.14
3656-765	SPACING COLLAR	obsolete
3656-766	PULLEY GEAR 44T	£35.91
3656-767	SPINDLE PULLEY	£41.61
3656-768	SPACING WASHER	£8.97
3656-769	SLIDING GEAR 80T	£76.20
3656-770	BACK GEAR SHAFT	obsolete
3656-770\771	20T BACK GEAR SHAFT AND 56T GEAR ASSEMBLED INCL. BEARINGS 797 & 798	obsolete
3656-771	BACK GEAR	obsolete
3656-772	R.H.BUSH AND BEARING	obsolete
3656-773	L.H.BUSH AND BEARING	obsolete
3656-774	GEAR SHIFTER BAR	£20.79
3656-775	FRONT COVER	obsolete
3656-776	REAR COVER	£16.47
3656-777	KEY (SCREW FIXING)	£6.48
3656-778ALT	DRAW NUT (COMPLETE ASSEMBLY)	£46.80
3656-778A	OUTER RING (DRAW NUT)	obsolete
3656-778B	INNER RING (DRAW NUT) Use 778 ALT	£46.80
3656-778C	KEY (DRAW NUT) Use 778 ALT	£46.80
3656-779	KEY (SPINDLE NOSE)	£3.27
3656-794	DRIVER PLATE LOO FITTING	obsolete
3656-797	VSL MODEL BACK SHAFT L.H.BEARING IR 1216	obsolete
3656-798	VSL MODEL BACK SHAFT R.H.BEARING IR 1224	obsolete
3656-799	OILITE BEARING SN0011 X 1" OLD VSL MODELS	obsolete
3656-801	FRONT TAPER ROLLER BEARING LOO	obsolete
3656-802	REAR TAPER ROLLER BEARING LOO BR-368S-362A	£102.36
3656-803	ADAPTOR SLEEVE (NO.3 MORSE)	£45.00
3656-804	NO.3 MORSE CENTRE	£51.30
3656-806	SCREW (SWITCH ACTUATING)	obsolete
3656-807	KEY (SPINDLE GEAR)	obsolete
BR-368S-362A	3656-802 REAR TAPER ROLLER BEARING LOO	£102.36



**NOTE:**

When dismantling LOO Headstock with Key (777) fixed in spindle ensure that key is in 12 o'clock position, as this will enable the key to pass the slot in the casting, thus allowing the spindle to be readily withdrawn.

Part No's	Reverse Loo	
3656-88	WASHER	£1.08
3656-213	CHANGE GEAR 20T	£11.49
3656-231	STUD GEAR SPINDLE KEY	£0.90
3656-405	HANDLE	£30.00
3656-406	KNOB 1 1/4" DIA. X 3/8W HA-BK-3/8-1	£3.99
3656-407	PIVOT PIN	£1.50
3656-408	SPRING	£1.89
3656-780	REVERSE GEAR BRACKET	£63.27
3656-781	REVERSE GEAR SPINDLE	£28.50
3656-782	48T.REV.GEAR FOLLOWER	£16.59
3656-783	PILLAR	obsolete
3656-784	32T.REVERSE GEAR	£18.12
3656-785	REVERSE GEAR STUD	obsolete
3656-786	WASHER	obsolete
3656-787	PLUNGER	£5.07
3656-817	DISC SPRING (Z8)	£0.00
3656-818	0.375" BALL JOURNAL (DOUBLE SHIELD)	obsolete
3656-819	0.5" BALL JOURNAL (DOUBLE SHIELD)	obsolete
1300-1 1/8	CIRCLIP	obsolete
1400-3/8	CIRCLIP	obsolete



**Diagram V. Headstock**

**NOTE:** Detail 250 is replaced by 602 on Underdrive Mk. I Headstocks.

Part No's	Headstock Mk1	
3656-3	HEADSTOCK (MK 1 & BENCH LATHES) 4.5"	obsolete
3656-75	GEAR SHIFTER LEVER	£21.06
3656-76	GEAR SHIFTER KNOB	£5.70
3656-77	GEAR SHIFTER KNOB PLUNGER	£3.12
3656-94	BACK GEAR HANDLE	£26.88
3656-102A	FRONT COVER PLATE 3 HOLE FIXING ONLY	obsolete
3656-103B	REAR COVER PLATE NON SCREW TYPE ONLY	£16.92
3656-104	LARGE BACK GEAR	£9.42
3656-104/105	LARGE BACK GEAR AND SLEEVE ASSEMBLED	£115.26
3656-105	BACK GEAR SLEEVE	£60.63
3656-106	SPINDLE FIXED GEAR	£57.15
3656-107	SPINDLE SLIDING GEAR	£168.21
	NOTE : 104-105, 106, 107 ARE 20% P.A. USED ON MACHINES FROM MAY 1954 SERIAL NO. 4900 APPROX. EARLIER 14.5% P.A. ARE N/A.	
3656-108	GEAR SHIFTER ECCENTRIC	£27.15
3656-109	SHOE	£5.97
3656-115	ME10 MODEL MAIN SPINDLE	£105.18
3656-116	ECCENTRIC BUSH	£8.13
3656-117	SPACING WASHER	obsolete
3656-119	LOCKNUT Use 666	£10.41
3656-120	SPACING WASHER	£7.08
3656-153	ECCENTRIC BUSH	£11.61
3656-155	TAPER POINT GRUB SCREW	£0.90
3656-164	BACK GEAR SHAFT	£6.03
3656-165	FIXED GEAR PIN	£0.87
3656-166	SPACING WASHER	£5.07
3656-185	FELT WASHER (FRONT)	£0.54

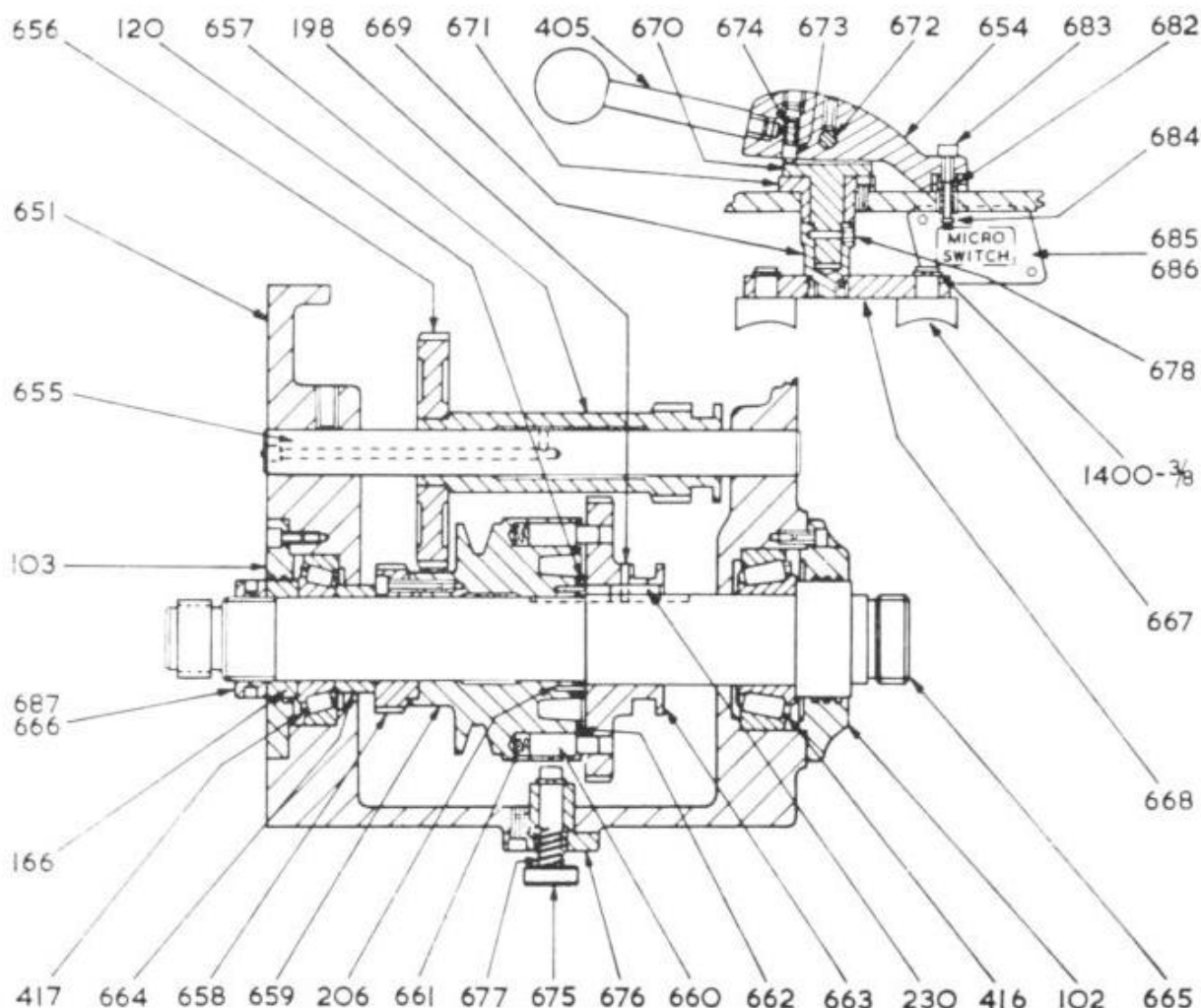


3656-186	FELT WASHER (REAR)	£0.54
3656-196	HEADSTOCK DRIVE PIN	£2.43
3656-198	PIN (MAIN SPINDLE KEY)	£0.51
3656-201	GEAR SHIFTER SPRING	£2.91
3656-206	SPINDLE PULLEY PIN	obsolete
3656-207	BACK GEAR RETAINING PLATE	£3.51
3656-208	BACK GEAR RETAINING SCREW	£1.44
3656-230	MAIN SPINDLE KEY	£1.02
3656-242	PIN (BACK GEAR SHAFT)	£0.87
3656-243	PIN (BACK GEAR SLEEVE)	£23.28
3656-250	SPINDLE PULLEY 2 PIN BACK GEAR FIXING OLD TYPE	obsolete
3656-250A	SPINDLE PULLEY RECESSED GEAR LOCATION SCREW FIXING CURRENT TYPE	£34.50
3656-277 PL1	HEADSTOCK SPEED CHART	£3.00
3656-416	TAPER ROLLER BEARING (FRONT)	P.O.A
3656-417	TAPER ROLLER BEARING (REAR)	P.O.A





16

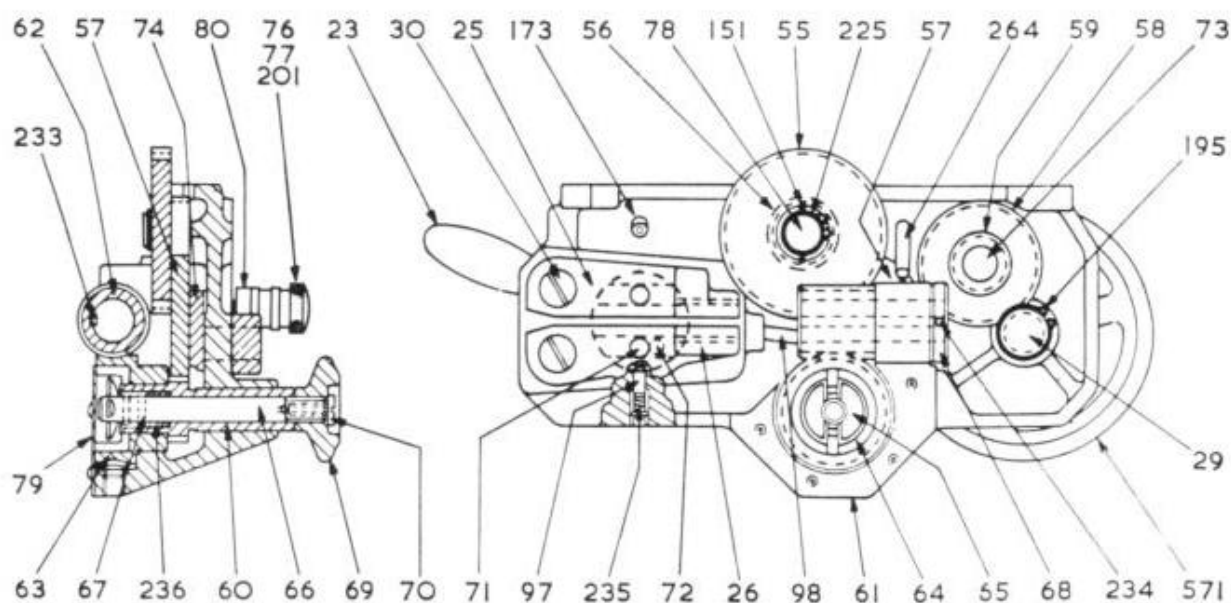


**Diagram W. Headstock Mk. II**

Part No's	Headstock Mk2	
1400-3/8	CIRCLIP	obsolete
3656-102A	FRONT COVER PLATE 3 HOLE FIXING ONLY	obsolete
3656-103B	REAR COVER PLATE NON SCREW TYPE ONLY	£16.92
3656-120	SPACING WASHER	£7.08
3656-166	SPACING WASHER	£5.07
3656-198	PIN (MAIN SPINDLE KEY)	£0.51
3656-206	SPINDLE PULLEY PIN	obsolete
3656-230	MAIN SPINDLE KEY	£1.02
3656-405	HANDLE	£30.00
3656-416	TAPER ROLLER BEARING (FRONT)	P.O.A
3656-417	TAPER ROLLER BEARING (REAR)	P.O.A
3656-651	HEADSTOCK (MK II) 4.5"	obsolete
3656-654	GEAR LEVER	£47.91
3656-655	BACK GEAR SHAFT	obsolete
3656-656	BACK GEAR 62T	£47.58
3656-656/7	BACK GEAR 62T AND SLEEVE 24T ASSEMBLED	£91.14
3656-657	BACK GEAR SLEEVE	£43.56
3656-658	SPINDLE GEAR 38T	£38.37



3656-659	SPINDLE PULLEY	£61.92
3656-660	DRIVE PIN	£4.29
3656-661	COMPRESSION SPRING	£1.59
3656-662	RETAINING PIECE	£0.21
3656-663	SPINDLE SLIDING GEAR 76T	£46.50
3656-664	SPACING WASHER	£2.97
3656-665	MAIN SPINDLE	£306.00
3656-666	LOCKNUT	£10.41
3656-667	SHOE (PHOS. BRONZE)	£8.46
3656-667A	SHOE (HDN. STEEL)	£7.38
3656-668	GEAR SHIFTER BAR	£15.69
3656-669	GEAR SHIFTER SPINDLE	£5.73
3656-670	GEAR SHIFTER BOSS	£34.59
3656-671	BUSH	£10.77
3656-672	PIN (PIVOT)	£1.59
3656-673	PLUNGER	£0.90
3656-674	GEAR LEVER SPRING	£4.20
3656-675	SPINDLE LOCK PLUNGER	£8.64
3656-676A	SPINDLE LOCK BUSH	£9.57
3656-677	SPINDLE LOCK SPRING	£1.41
3656-682	LOCATING BUSH	£6.96
3656-683	SWITCH LOCKING SCREW	£0.60
3656-684	SWITCH ACTUATING PIN	£2.07
3656-685A	SWITCH COVER PLATE	£1.65
3656-686	SWITCH SPACING BUSH	£1.92
3656-687	SLUG (LOCKNUT)	£0.57

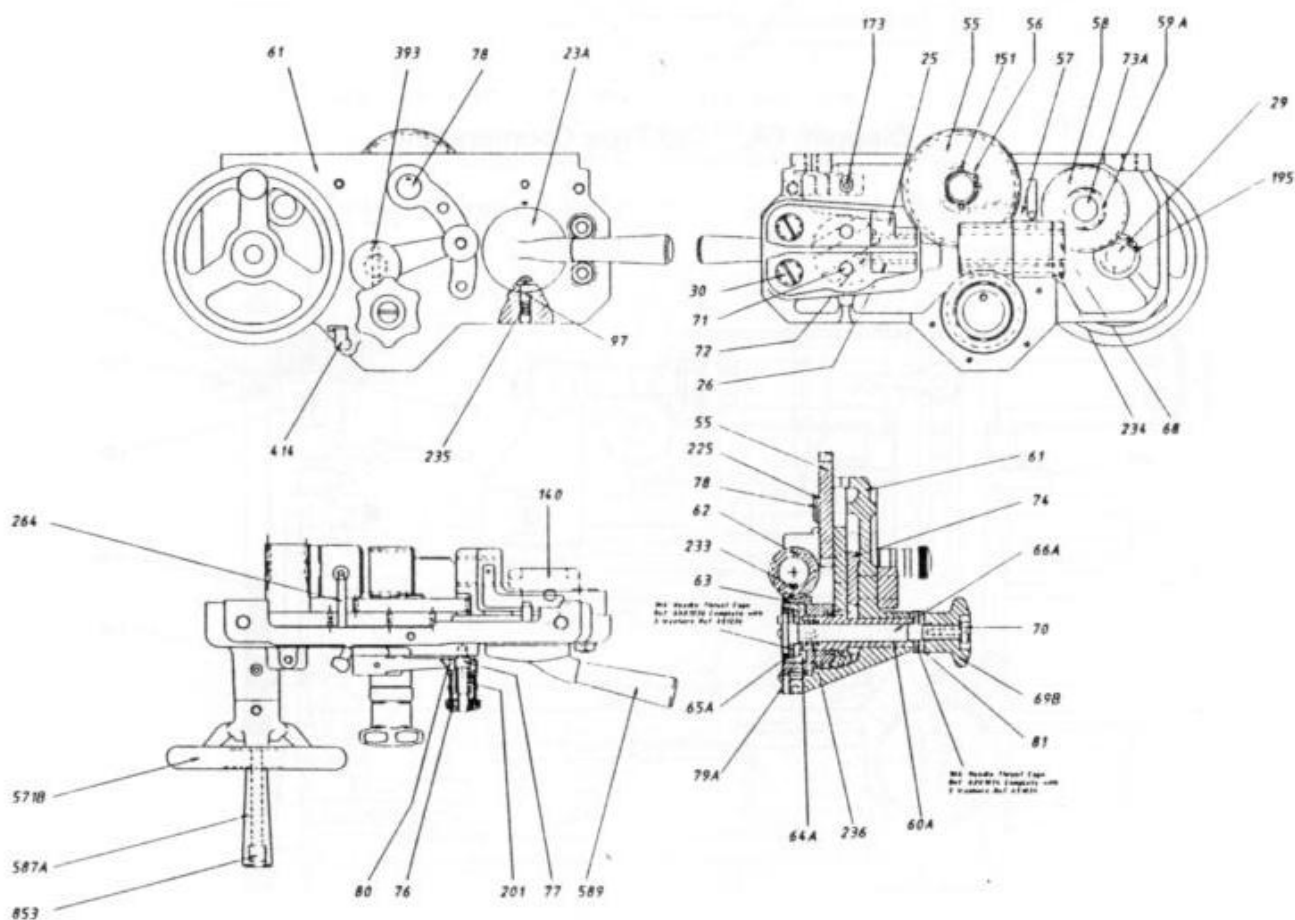


**Diagram T. Automatic Apron (Models A and B) – old type**

Part No's	Apron A/B (Old Version)	
3656-23A	SPLIT NUT LEVER AND HANDLE 589 ASSEMBLED	£19.47
3656-25\26ENG	SPLIT NUT TOP & BOTTOM HALF ASSEMBLED WITH 2 PINS 71 (ENGLISH)	£96.15
3656-25\26MET	SPLIT NUT TOP & BOTTOM HALF ASSEMBLED WITH 2 PINS 71 (METRIC)	£76.65
3656-29	APRON HANDWHEEL PINION	£63.75
3656-30	HALF NUT PIVOT	£5.58
3656-55	APRON CROSS FEED GEAR 57T	£20.07
3656-55\56	APRON CROSS FEED GEAR 57T/22T ASSEMBLED	£34.17
3656-56	APRON CROSS FEED GEAR 22T	£9.75
3656-57	APRON IDLER GEAR	£11.07
3656-58	RACK PINION GEAR	£61.95
3656-58\59\A/B	APRON RACK PINION AND GEAR ASSEMBLED "A" OR "B" MODELS	obsolete
3656-58\59\C	APRON RACK PINION AND GEAR ASSEMBLED "C" MODEL	£32.88
3656-59A/B	APRON RACK PINION "A" OR "B" MODELS	obsolete
3656-59C	APRON RACK PINION "C" MODEL	£17.28
3656-60	APRON FEED PINION PRE SEP. 1974	£17.73
3656-60A	APRON FEED PINION POST SEP. 1974	£18.69
3656-61	APRON ("A" AND "B" MODELS)	£138.66
3656-62	WORM	£84.87
3656-63	WORM WHEEL	£58.44
3656-64	APRON CLUTCH DISC (PAIR) MACHINES PRE SEP. 1974 SERIAL NO. 34500 APPROX.	£6.00
3656-64A	APRON CLUTCH DISC (PAIR) MACHINES POST SEP. 1974 SERIAL NO. 34500 APPROX.	£11.16
3656-65	APRON CLUTCH DISC (INNER PAIR) M/CS PRE SEP. 1974 SERIAL NO. 34500 APPROX	£2.70
3656-65A	APRON CLUTCH DISC (INNER) MACHINES POST SEP. 1974 SERIAL NO. 34500 APPROX.	£2.70
3656-66	APRON CLUTCH SCREW MACHINES PRE SEP. 1974 SERIAL NO. 34500 APPROX.	£9.00
3656-66A	APRON CLUTCH SCREW MACHINES POST SEP. 1974 SERIAL NO. 34500 APPROX.	£16.74
3656-67	APRON CLUTCH SCREW PIN	£0.00
3656-68	WORM LOCKNUT	£3.33
3656-69	APRON CLUTCH KNOB MACHINES PRE SEP. 1974 SERIAL NO. 34500 APPROX.	£4.50
3656-69A	APRON CLUTCH KNOB MACHINES POST SEP. 1974 SERIAL NO. 34500 APPROX.	£3.15
3656-70	RETAINING SCREW L. H.	£6.00
3656-71	SPLIT NUT PIN	£0.90
3656-72	SPLIT NUT LEVER PIN	£0.90
3656-73A	RACK PINION STUD "A" OR "B" MODELS	£4.86
3656-73C	RACK PINION STUD "C" MODEL	£7.50



3656-74	IDLER GEAR SHIFTER	£14.76
3656-75	GEAR SHIFTER LEVER	£21.06
3656-76	GEAR SHIFTER KNOB	£5.70
3656-77	GEAR SHIFTER KNOB PLUNGER	£3.12
3656-78	AUTO CROSS FEED STUD	£4.08
3656-79A	APRON WORM COVER	£0.69
3656-80	IDLER GEAR SHIFTER LEVER	£11.01
3656-97	RETAINING PIN	£1.53
3656-98	STOP PIN	£1.56
3656-151	PIN (COMPOUND GEARS)	£1.14
3656-173	OIL FEED TUBE	£0.33
3656-195	GEAR RETAINING SPRING	obsolete
3656-201	GEAR SHIFTER SPRING	£2.91
3656-225	CROSS FEED STUD SPRING (CIRCLIP)	obsolete
3656-233	WORM KEY	£0.90
3656-234	WORM LOCKNUT PIN	£0.60
3656-235	COMPRESSION SPRING SPLIT NUT LEVER	£2.40
3656-236	COMPRESSION SPRING CLUTCH	£0.66
3656-264	OIL FEED TUBE	£0.42
3656-571B	4.5" HANDWHEEL WITH GRIP 587A AND STUD 853	£74.64



A & B Model Apron Assembly

**Diagram TA.**

Part No's	Apron A/B	
3656-23A	SPLIT NUT LEVER AND HANDLE 589 ASSEMBLED	£19.47
3656-25\26-E	SPLIT NUT TOP & BOTTOM HALF ASSEMBLED WITH 2 PINS 71 (ENGLISH)	£96.15
3656-25\26-M	SPLIT NUT TOP & BOTTOM HALF ASSEMBLED WITH 2 PINS 71 (METRIC)	£76.65
3656-29	APRON HANDWHEEL PINION	£63.75
3656-30	HALF NUT PIVOT	£5.58
3656-55	APRON CROSS FEED GEAR 57T	£20.07
3656-56\56	APRON CROSS FEED GEAR 57T/22T ASSEMBLED	£34.17
3656-56	APRON CROSS FEED GEAR 22T	£9.75
3656-57	APRON IDLER GEAR	£11.07
3656-58	RACK PINION GEAR	£61.95
3656-58\59B	APRON RACK PINION AND GEAR ASSEMBLED "A" OR "B" MODELS	obsolete
3656-59A\B	APRON RACK PINION "A" OR "B" MODELS	obsolete
3656-60A	APRON FEED PINION POST SEP. 1974	£18.69
3656-61	APRON ("A" AND "B" MODELS)	£138.66
3656-62	WORM	£84.87
3656-63	WORM WHEEL	£58.44
3656-64A	APRON CLUTCH DISC (PAIR) MACHINES POST SEP. 1974 SERIAL NO. 34500 APPROX.	£11.16
3656-65A	APRON CLUTCH DISC (INNER) MACHINES POST SEP. 1974 SERIAL NO. 34500 APPROX.	£2.70
3656-66A	APRON CLUTCH SCREW MACHINES POST SEP. 1974 SERIAL NO. 34500 APPROX.	£16.74
3656-68	WORM LOCKNUT	£3.33
3656-69B	APRON CLUTCH KNOB MACHINES POST SEP. 1974 SERIAL NO. 34500 APPROX.	£3.15
3656-70	RETAINING SCREW L. H.	£6.00
3656-71	SPLIT NUT PIN	£0.90
3656-72	SPLIT NUT LEVER PIN	£0.90

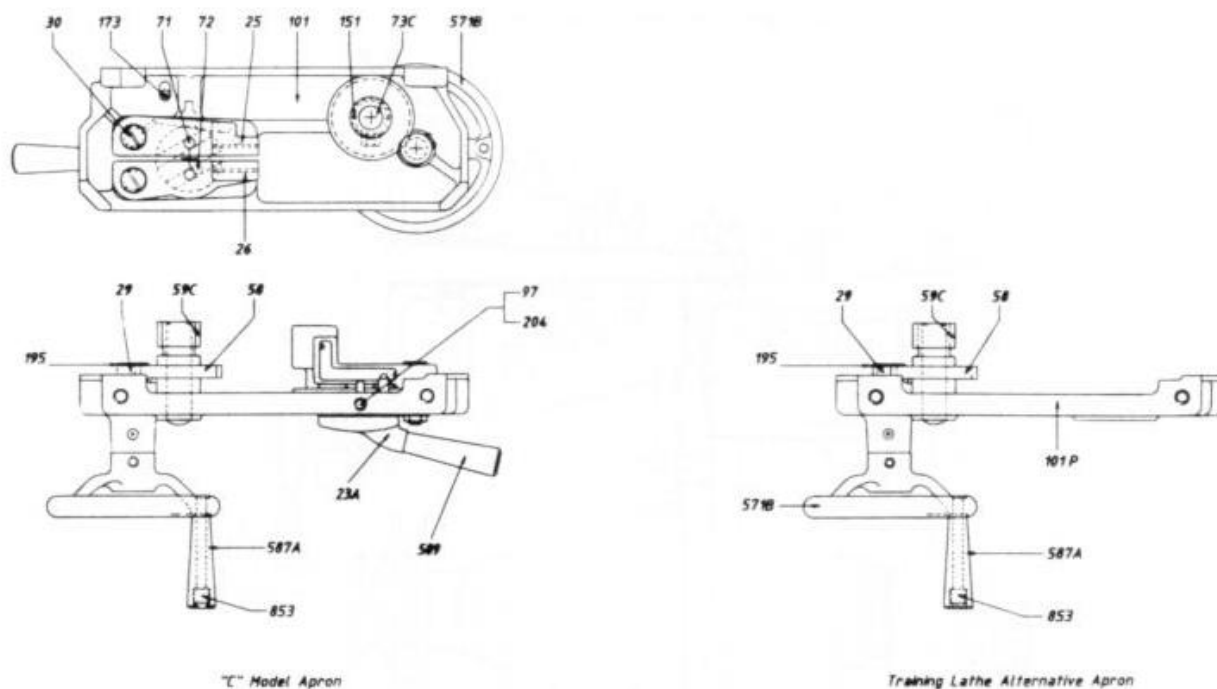


3656-73A	RACK PINION STUD "A" OR "B" MODELS	£4.86
3656-74	IDLER GEAR SHIFTER	£14.76
3656-76	GEAR SHIFTER KNOB	£5.70
3656-77	GEAR SHIFTER KNOB PLUNGER	£3.12
3656-78	AUTO CROSS FEED STUD	£4.08
3656-79A	APRON WORM COVER	£0.69
3656-80	IDLER GEAR SHIFTER LEVER	£11.01
3656-81	BEARING COVER	£5.58
3656-97	RETAINING PIN	£1.53
3656-140	SADDLE CLAMP	£6.48
3656-151	PIN (COMPOUND GEARS)	£1.14
3656-173	OIL FEED TUBE	£0.33
3656-195	GEAR RETAINING SPRING	obsolete
3656-201	GEAR SHIFTER SPRING	£2.91
3656-225	CROSS FEED STUD SPRING (CIRCLIP)	obsolete
3656-233	WORM KEY	£1.14
3656-234	WORM LOCKNUT PIN	£0.60
3656-235	COMPRESSION SPRING SPLIT NUT LEVER	£2.40
3656-236	COMPRESSION SPRING CLUTCH	£0.66
3656-264	OIL FEED TUBE	£0.42
3656-393	APRON LEVER PIN	£31.50
3656-414	RIGHT ANGLED SNAP LID OILER	obsolete
3656-571B	4.5" HANDWHEEL WITH GRIP 587A AND STUD 853	£74.64
3656-587A	HANDLE	£2.19
3656-589	SPLIT NUT LEVER HANDLE	£2.37
3656-853	HANDGRIP SPINDLE	£4.98



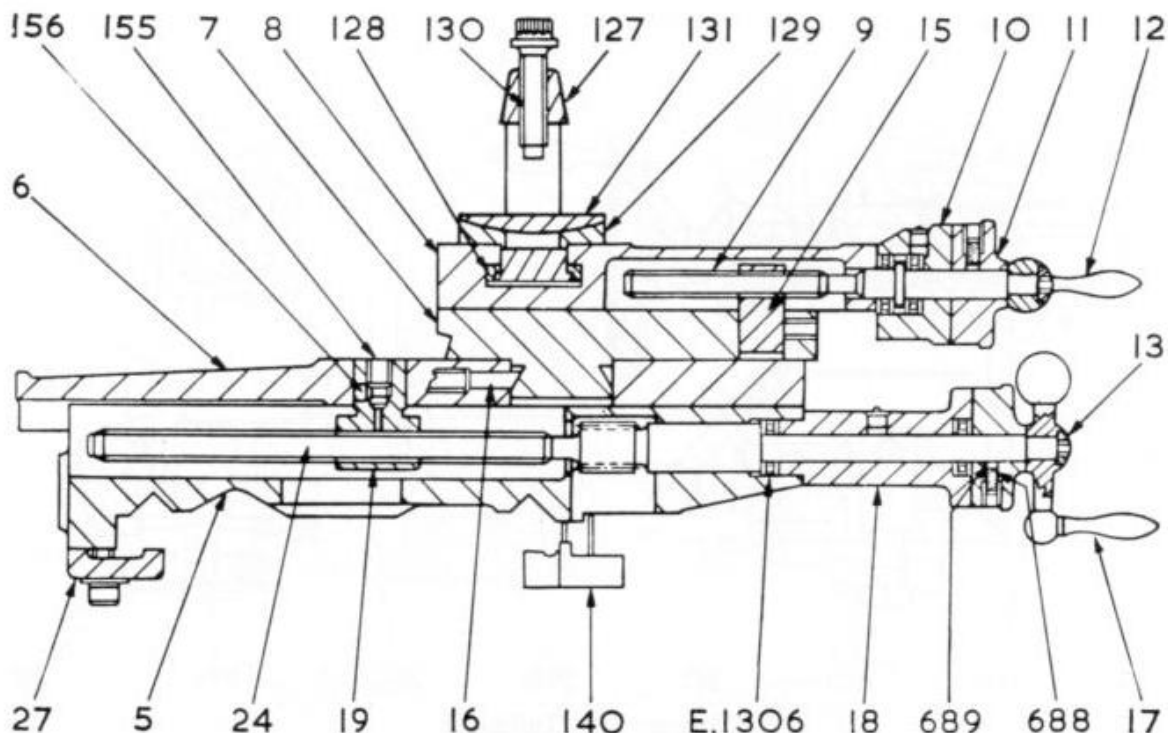


26



**Diagram TZ.**

Part No's	Apron C	
3656-23A	SPLIT NUT LEVER AND HANDLE 589 ASSEMBLED	£19.47
3656-25\26-E	SPLIT NUT TOP & BOTTOM HALF ASSEMBLED WITH 2 PINS 71 (ENGLISH)	£96.15
3656-25\26-M	SPLIT NUT TOP & BOTTOM HALF ASSEMBLED WITH 2 PINS 71 (METRIC)	£76.65
3656-29	APRON HANDWHEEL PINION	£63.75
3656-30	HALF NUT PIVOT	£5.58
3656-58	RACK PINION GEAR	£61.95
3656-59C	APRON RACK PINION "C" MODEL	£17.28
3656-71	SPLIT NUT PIN	£0.90
3656-72	SPLIT NUT LEVER PIN	£0.90
3656-73C	RACK PINION STUD "C" MODEL	£7.50
3656-97	RETAINING PIN	£1.53
3656-101C	PLAIN APRON ("C" MODEL)	£59.91
3656-101P	PLAIN APRON (TUD MODEL)	obsolete
3656-151	PIN (COMPOUND GEARS)	£1.14
3656-173	OIL FEED TUBE	£0.33
3656-195	GEAR RETAINING SPRING	obsolete
3656-204	RETAINING SPRING	£1.20
3656-571B	4.5" HANDWHEEL WITH GRIP 587A AND STUD 853	£74.64
3656-587A	HANDLE	£2.19
3656-589	SPLIT NUT LEVER HANDLE	£2.37
3656-853	HANDGRIP SPINDLE	£4.98

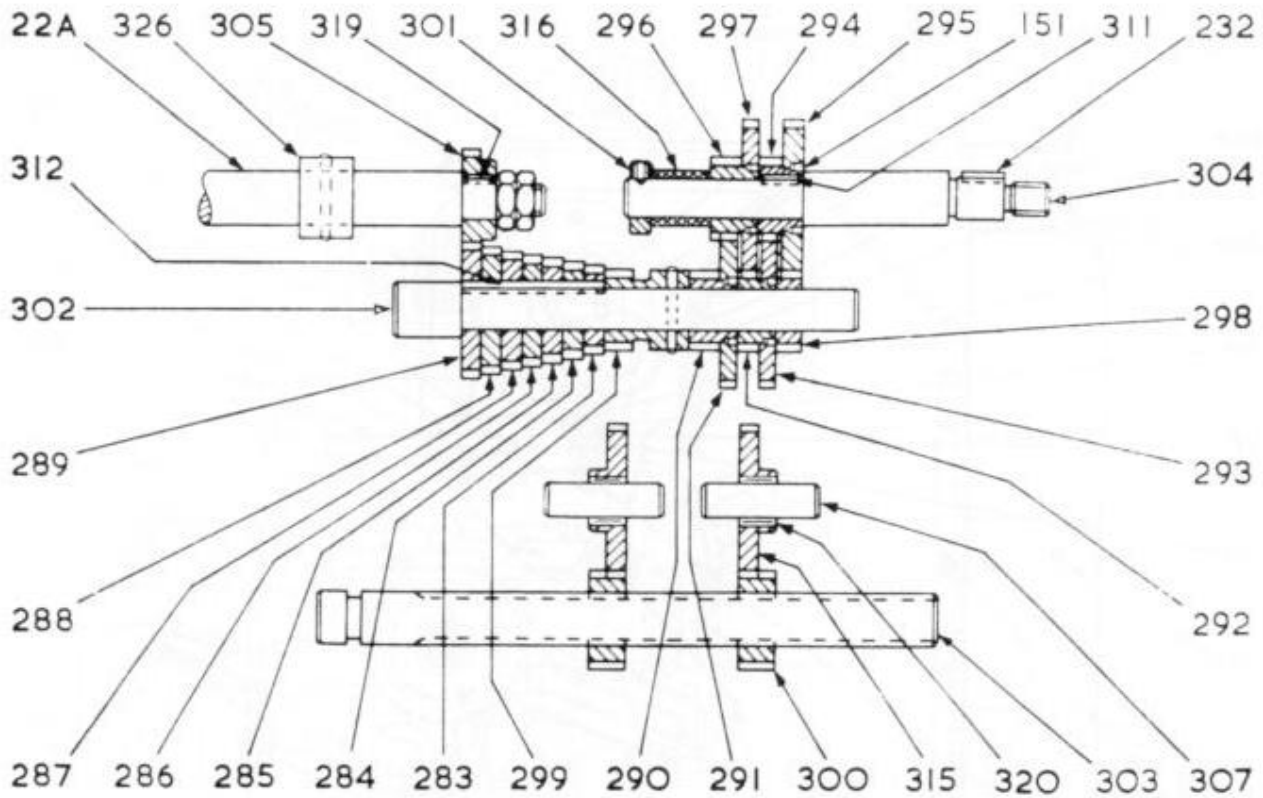


**Diagram S. Saddle and Compound Rest**

Part No's	Saddle & Compound	
3656-5A	SADDLE	£99.78
3656-6A	CROSS SLIDE (TEE SLOTTED)	£92.67
3656-7	COMPOUND REST SLIDE 4.5"	£42.96
3656-7A	COMPOUND REST SLIDE 5.0"	£42.96
3656-8A	TOOLSLIDE	£33.87
3656-9E	COMPOUND REST LEAD SCREW (ENGLISH)	£11.07
	1 5/8" DIAL FROM OCT. 1963 SERIAL NO. 12600 APPROX	
3656-9E/SB	COMPOUND REST LEAD SCREW (ENGLISH)	obsolete
	1 1/32" DIAL TO APR. 1951 SERIAL NO. 2500 APPROX	
3656-9E/OT	COMPOUND REST LEAD SCREW (ENGLISH)	£13.26
	1 1/2" DIAL FROM APR. 1951 SERIAL NO. 2500 TO OCT. 1963 SERIAL NO. 12600	
3656-9M	COMPOUND REST LEAD SCREW (METRIC)	£53.70
	1 5/8" DIAL FROM OCT. 1963 SERIAL NO. 12600 APPROX	
3656-9M/SB	COMPOUND REST LEAD SCREW (METRIC)	obsolete
	1 1/32" DIAL TO APR. 1951 SERIAL NO. 2500 APPROX	
3656-9M/OT	COMPOUND REST LEAD SCREW (METRIC)	£13.26
	1 1/2" DIAL FROM APR. 1951 SERIAL NO. 2500 TO OCT. 1963 SERIAL NO. 12600	
3656-10	TOOLSLIDE BUSH 1 5/8" DIAL FROM OCT. 1963 SERIAL NO. 12600 APPROX	£13.83
3656-10/SB	TOOLSLIDE BUSH 1 1/32" DIAL TO APR. 1951 SERIAL NO. 2500 APPROX	obsolete
3656-10/OT	TOOLSLIDE BUSH 1 1/2" DIAL FROM APR. 1951	obsolete
	SERIAL NO. 2500 TO OCT. 1963 SERIAL NO. 12600 APPROX	
3656-11E	DIAL (ENGLISH) 1 5/8" DIAL FROM OCT. 1963 SERIAL NO. 12600 APPROX	£22.50
3656-11E/SB	DIAL (ENGLISH) 1 1/32" DIAL TO APR. 1951 SERIAL NO. 2500 APPROX	obsolete
3656-11E/OT	DIAL (ENGLISH) 1 1/2" DIAL FROM APR. 1951	obsolete
	SERIAL NO. 2500 TO OCT. 1963 SERIAL NO. 12600 APPROX	
3656-11ED	DIAL (ENGLISH-DIRECT READING)	obsolete
3656-11M	DIAL (METRIC) 1 5/8" DIAL FROM OCT. 1963 SERIAL NO. 12600 APPROX	£121.53



3656-11M/SB	DIAL (METRIC) 1 1/32" DIAL TO APR. 1951 SERIAL NO. 2500 APPROX	obsolete
3656-11M/OT	DIAL (METRIC) 1 1/2" DIAL FROM APR. 1951 SERIAL NO. 2500 TO OCT. 1963 SERIAL NO. 12600 APPROX	obsolete
3656-11MD	DIAL (METRIC-DIRECT READING)	£30.00
3656-11VE	DIAL (MILLING ATTACHMENT-ENGLISH)	£14.61
3656-11VM	DIAL (MILLING ATTACHMENT-METRIC)	£14.61
3656-12/588	TOOL SLIDE HANDLE AND GRIP 588 ASSEMBLED	£36.81
3656-13	LOCKNUT	£3.12
3656-15E	TOOL SLIDE NUT (ENGLISH)	£15.66
3656-15M	TOOL SLIDE NUT (METRIC)	£8.31
3656-15ABLE	TOOL SLIDE NUT ANTI BACKLASH (ENGLISH)	£12.84
3656-15ABLM	TOOL SLIDE NUT ANTI BACK LASH (METRIC)	£12.84
3656-16	CLAMP SLUG	£1.44
3656-17	CROSS SLIDE HANDLE AND GRIP 588 ASSEMBLED Use 3656-12/588	£36.81
3656-18	CROSS SLIDE BUSH 1 5/8" DIAL FROM OCT. 1963 SERIAL NO. 12600 APPROX	£67.50
3656-18/SB	CROSS SLIDE BUSH 1 1/32" DIAL TO APR. 1951 SERIAL NO. 2500 APPROX	obsolete
3656-18/OT	CROSS SLIDE BUSH 1 1/2" DIAL FROM APR. 1951 SERIAL NO. 2500 TO OCT. 1963 SERIAL NO. 12600 APPROX	obsolete
3656-18-2"	CROSS SLIDE BUSH VSL MODEL	obsolete
3656-19E	CROSS SLIDE NUT (ENGLISH)	£55.89
3656-19M	CROSS SLIDE NUT (METRIC)	£55.20
3656-24E	CROSS SLIDE LEAD SCREW (ENGLISH) 1 5/8" DIAL FROM OCT. 1963 SERIAL NO. 12600 APPROX	£84.03
3656-24E/SB	CROSS SLIDE LEAD SCREW (ENGLISH) 1 1/32" DIAL TO APR. 1951 SERIAL NO. 2500 APPROX	£42.00
3656-24E/OT	CROSS SLIDE LEAD SCREW (ENGLISH) 1 1/2" DIAL FROM APR. 1951 SERIAL NO. 2500 TO OCT. 1963 SERIAL NO. 12600	£42.00
3656-24M	CROSS SLIDE LEAD SCREW (METRIC) 1 5/8" DIAL FROM OCT. 1963 SERIAL NO. 12600 APPROX	£84.03
3656-24M/SB	CROSS SLIDE LEAD SCREW (METRIC) 1 1/32" DIAL TO APR. 1951 SERIAL NO. 2500 APPROX	£42.00
3656-24M/OT	CROSS SLIDE LEAD SCREW (METRIC) 1 1/2" DIAL FROM APR. 1951 SERIAL NO. 2500 TO OCT. 1963 SERIAL NO. 12600	£42.00
3656-27	SADDLE GIB STRIP VSL MODEL	£12.15
3656-27S	SADDLE GIB STRIP WHEN SADDLE LIMIT SWITCH FITTED	£13.26
3656-27VSL	SADDLE GIB STRIP VSL MODEL	£13.26
3656-127	AMERICAN TOOL POST BODY	£26.73
3656-128	AMERICAN TOOL POST BLOCK	£16.68
3656-129	AMERICAN TOOL POST RING	£37.50
3656-130	AMERICAN TOOL POST SCREW	
3656-131A	AMERICAN TOOL POST WEDGE	£37.59
3656-140	SADDLE CLAMP	£6.48
3656-155	TAPER POINT GRUB SCREW	obsolete
3656-156	CLAMP SLUG	£2.16
3656-688	SLUG (DIAL)	£0.75
3656-689	SPRING (DIAL)	£1.50
BR-E1306	TOP & CROSS SLIDE THRUST (4 sets PER M/C) (price per set)	£13.29

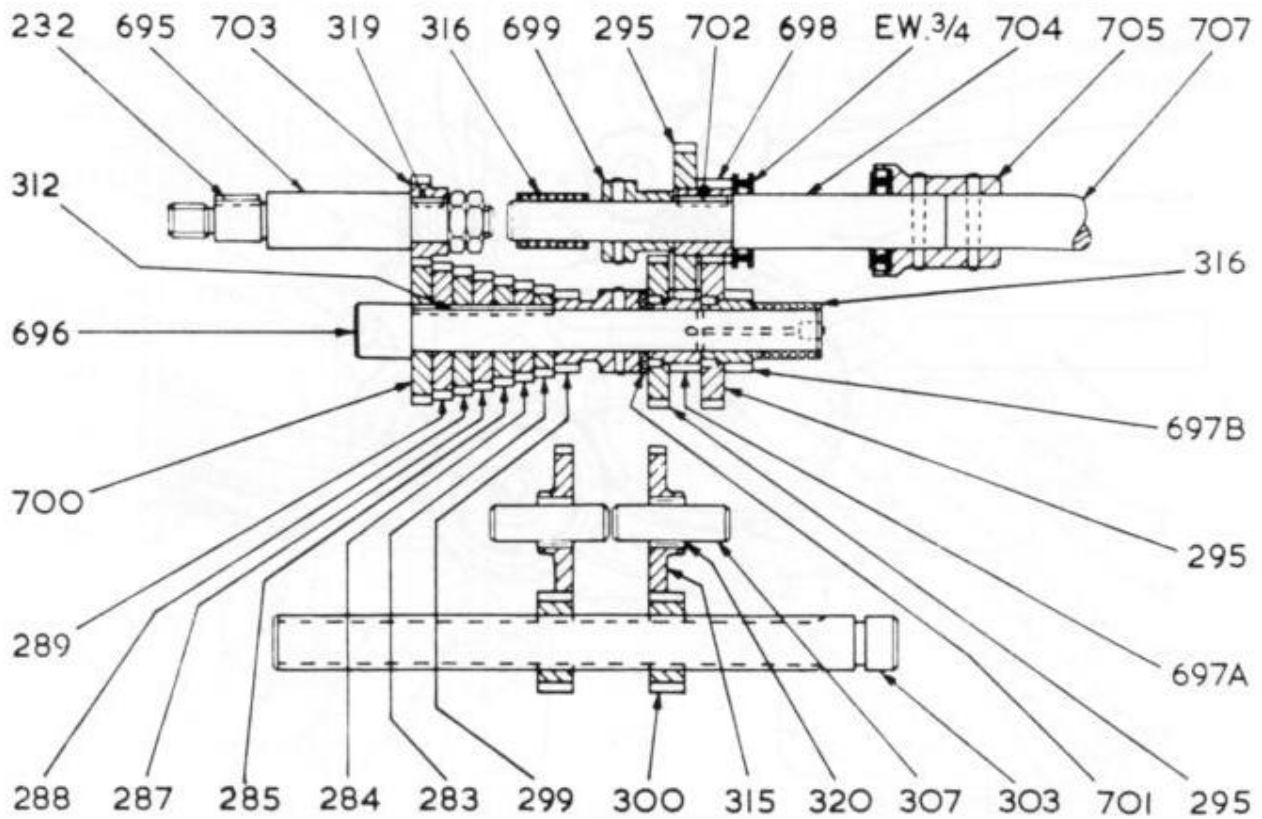


**Diagram Q. Gearbox (English)**

Part No's	Gearbox Imperial	
3656-151	PIN (COMPOUND GEARS)	£1.14
3656-232	LEAD SCREW KEY	£0.90
3656-283	GEAR 18T	£9.48
3656-284	GEAR 20T	£11.01
3656-285	GEAR 22T	£9.24
3656-286	GEAR 23T	£9.72
3656-287	GEAR 24T	£9.69
3656-288	GEAR 26T	£10.50
3656-289	GEAR 28T	£9.96
3656-290	GEAR 16T 0.687" THICK PLAIN BORE	£34.20
3656-290-291	GEARS 290 AND 291 ASSEMBLED	£65.70
3656-291	GEAR 32T 0.250" THICK	£31.50
3656-292	GEAR 16T 0.531" THICK PLAIN BORE	£50.07
3656-292-293	GEARS 292 AND 291 ASSEMBLED	£81.57
3656-293	GEAR 32T 0.250" THICK Use 291	£31.50
3656-294	GEAR 16T 0.641" THICK KEYWAY BORE	£7.08
3656-294-295	GEARS 294 AND 295 ASSEMBLED	£23.82
3656-295	GEAR 32T 0.312" THICK	£6.93
3656-295-698	GEARS 295 AND 698 ASSEMBLED	£25.08
3656-296	GEAR 16T 0.687" THICK Use 290	£34.20
3656-297	GEAR 32T 0.25" THICK Use 291	£31.50
3656-298	GEAR 16T IDLER	£6.27
3656-299	GEAR 16T	£10.44
3656-300	LEVER GEAR 20T	£8.04
3656-301	COLLAR	£3.93
3656-302A	INTERMEDIATE SHAFT	£26.88



3656-303	GEAR LEVER SHAFT	£25.83
3656-304	GEARBOX INPUT SHAFT	£19.23
3656-305	LEAD SCREW GEAR	£7.95
3656-307	PIN (GEAR BOX)	£1.59
3656-311	KEY (INPUT SHAFT)	£0.90
3656-312	KEY (INTER SHAFT)	£0.90
3656-315	LEVER GEAR 32T	£13.77
3656-315/320	LEVER GEAR 32T COMPLETE WITH NEEDLE BEARING 320	£21.18
3656-316	BUSH CT-11X1" OILITE BUSH	£2.88
3656-319	LEAD SCREW KEY	£0.90
3656-320	NEEDLE BEARING B88	£7.41



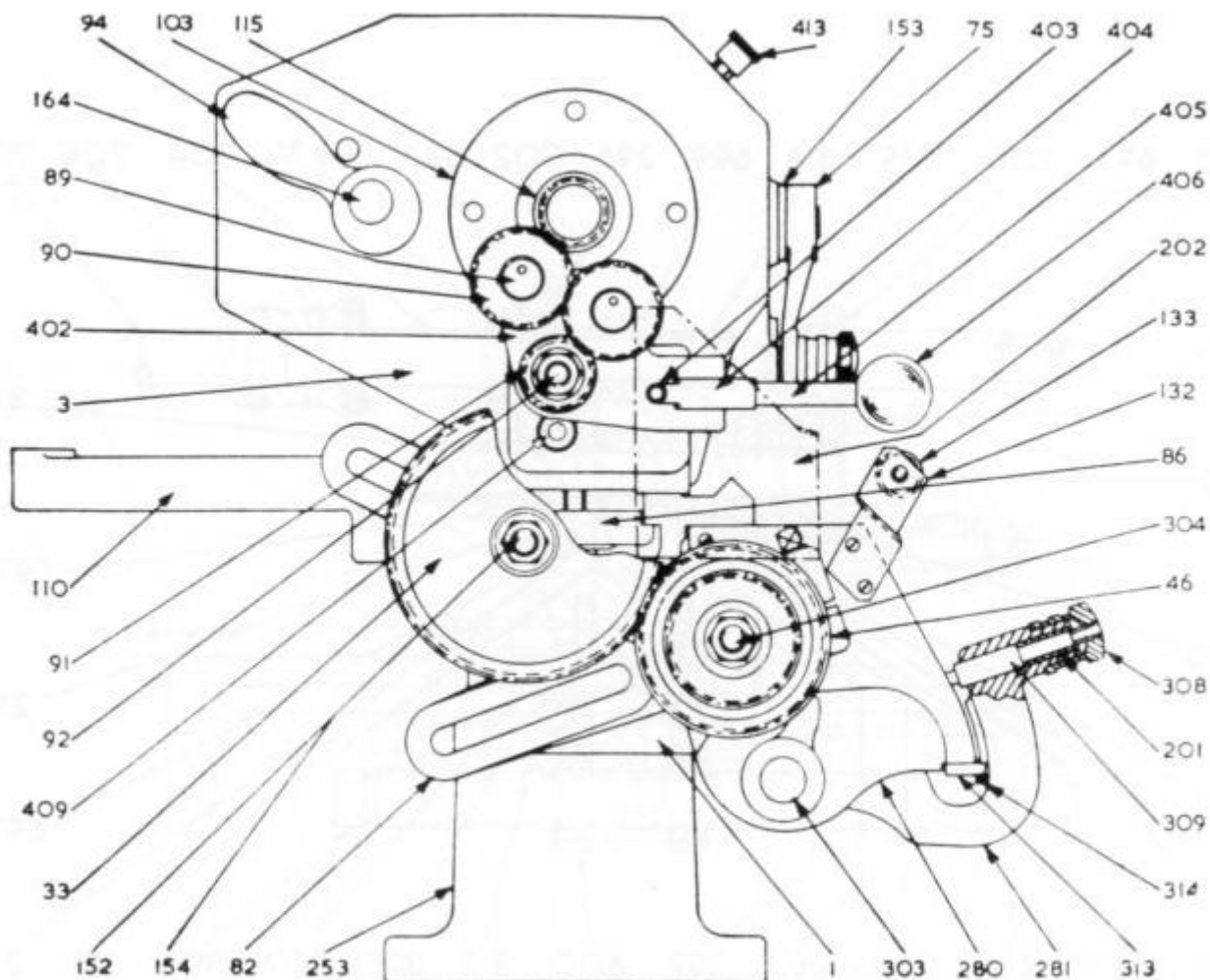
**Diagram P. Gearbox (Metric)**

Part No's	Gearbox Metric	
3656-232	LEAD SCREW KEY	£0.90
3656-283	GEAR 18T	£9.48
3656-284	GEAR 20T	£11.01
3656-285	GEAR 22T	£9.24
3656-286	GEAR 23T	£9.72
3656-287	GEAR 24T	£9.69
3656-288	GEAR 26T	£10.50
3656-289	GEAR 28T	£9.96
3656-295	GEAR 32T 0.312" THICK	£6.93
3656-295-698	GEARS 295 AND 698 ASSEMBLED	£25.08
3656-299	GEAR 16T	£10.44
3656-300	LEVER GEAR 20T	£8.04
3656-303	GEAR LEVER SHAFT	£25.83
3656-307	PIN (GEAR BOX)	£1.59
3656-312	KEY (INTER SHAFT)	£0.90
3656-315	LEVER GEAR 32T	£13.77
3656-315/20	LEVER GEAR 32T COMPLETE WITH NEEDLE BEARING 320	£21.18
3656-316	BUSH CT-11X1" OILITE BUSH	£2.88
3656-319	LEAD SCREW KEY	£0.90
3656-320	NEEDLE BEARING B88	£7.41
3656-695	INPUT SHAFT	£22.32
3656-696	INTER SHAFT	£28.53
3656-697A/B	INTER SHAFT PINION 16T	£11.43
3656-698	OUTER SHAFT PINION 16/32T	£11.43
3656-699	COLLAR	£7.17
3656-701	THRUST WASHER	£3.72
3656-702	KEY	£0.00





3656-703	GEAR 18T	£11.16
3656-704	OUTPUT SHAFT	£18.75
3656-705	COUPLING	£15.24
3656-707-36"	METRIC LEAD SCREW (36") "A" MODEL	obsolete
3656-707-42"	METRIC LEAD SCREW (42") "A" MODEL	£51.75
3656-707-48"	METRIC LEAD SCREW (48") "A" MODEL	obsolete
BR-B88	NEEDLE BEARING B88	£7.41

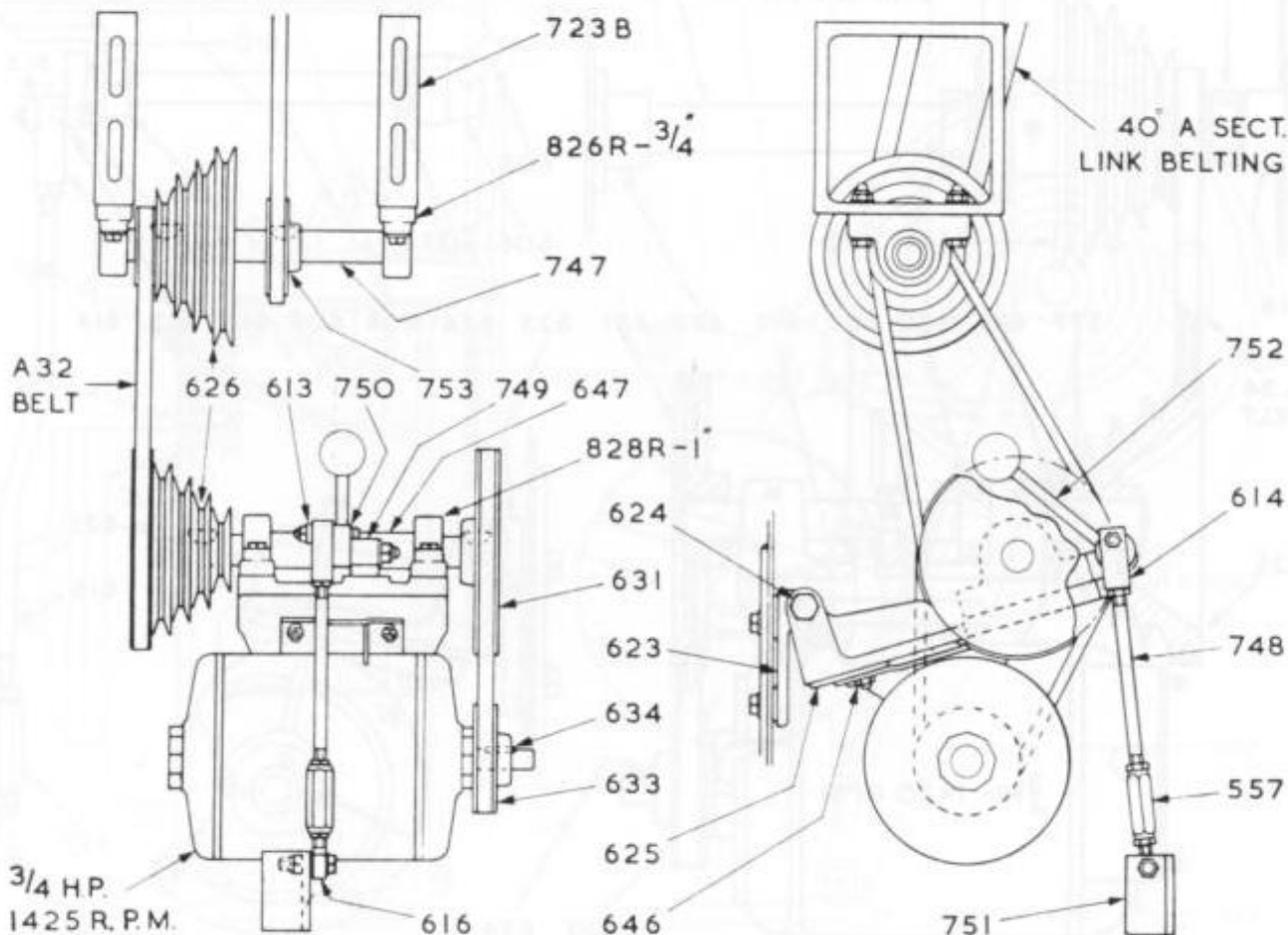


**Diagram N. Gearing (Mk. I and Bench)**

Part No's	Gearing, Mk1 & Bench Models	
3656-1	BED 36", 42", 48"	obsolete
3656-3	HEADSTOCK (MK 1 & BENCH LATHES) 4.5"	obsolete
3656-33	IDLER GEAR 80T	£97.68
3656-33ASS	IDLER GEAR 80T ASSEMBLED INCL. BUSH 154 AND STUD 152	£130.95
3656-46	CHANGE GEAR 56T	£45.39
3656-75	GEAR SHIFTER LEVER	£21.06
3656-82A	CHANGE GEAR QUADRANT	£46.14
3656-86	HEADSTOCK CLAMP	£8.04
3656-89	REVERSE GEAR STUD	£5.49
3656-90	REVERSE GEAR (STEEL-14.5%P.A.)	£11.46
3656-90T	REVERSE GEAR (FIBRE-14.5%P.A.)	£20.04
3656-91	REVERSE GEAR FOLLOWER (14.5%P.A.)	£9.66
3656-92	STUD GEAR SPINDLE	£9.78
3656-94	BACK GEAR HANDLE	£26.88
3656-103B	REAR COVER PLATE NON SCREW TYPE ONLY	£16.92
3656-110	COVER BRACKET	£5.58
3656-115	ME10 MODEL MAIN SPINDLE	£105.18
3656-132	GUARD FASTENING PIECE	obsolete
3656-133	GUARD THUMB SCREW	£1.47
3656-152	BOLT	£16.26
3656-153	ECCENTRIC BUSH	£11.61
3656-154	CHANGE GEAR BUSH	£17.01
3656-164	BACK GEAR SHAFT	£6.03
3656-201	GEAR SHIFTER SPRING	£2.91

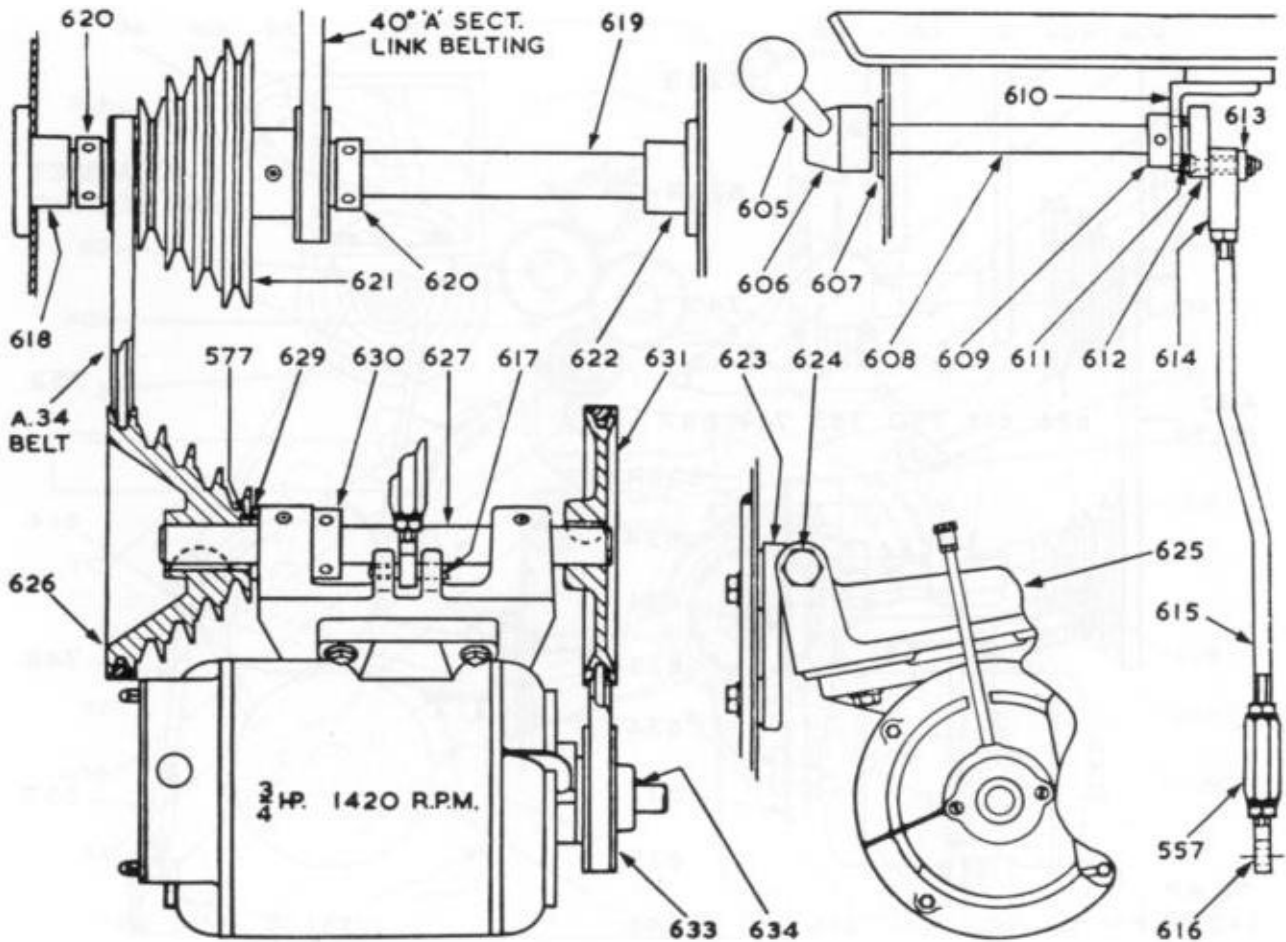


3656-202	GUARD PIECE ("A" MODEL)	obsolete
3656-252	HEADSTOCK FOOT	obsolete
3656-253	TAILSTOCK FOOT	obsolete
3656-280E	GEAR BOX BODY (ENGLISH)	obsolete
3656-280M	GEAR BOX BODY (METRIC)	obsolete
3656-281	L.H. GEAR BOX LEVER	£90.00
3656-303	GEAR LEVER SHAFT	£25.83
3656-308	KNOB (GEAR BOX)	£4.95
3656-309	PLUNGER (GEAR BOX)	£4.14
3656-313	GUIDE PLATE (ENGLISH)	£5.76
3656-314	PIN (GUIDE PLATE)	£0.60
3656-402	REVERSE GEAR BRACKET	£31.53
3656-403	PLUNGER	£4.95
3656-404	FINGER	£7.38
3656-405	HANDLE	£30.00
3656-406	KNOB 1 1/4" DIA. X 3/8W	£3.99
3656-409A	RETAINING PIECE	£4.71
3656-413	GREASE LUBRICATOR	obsolete



**Diagram L. Standard Underneath Drive (1966 onwards)**

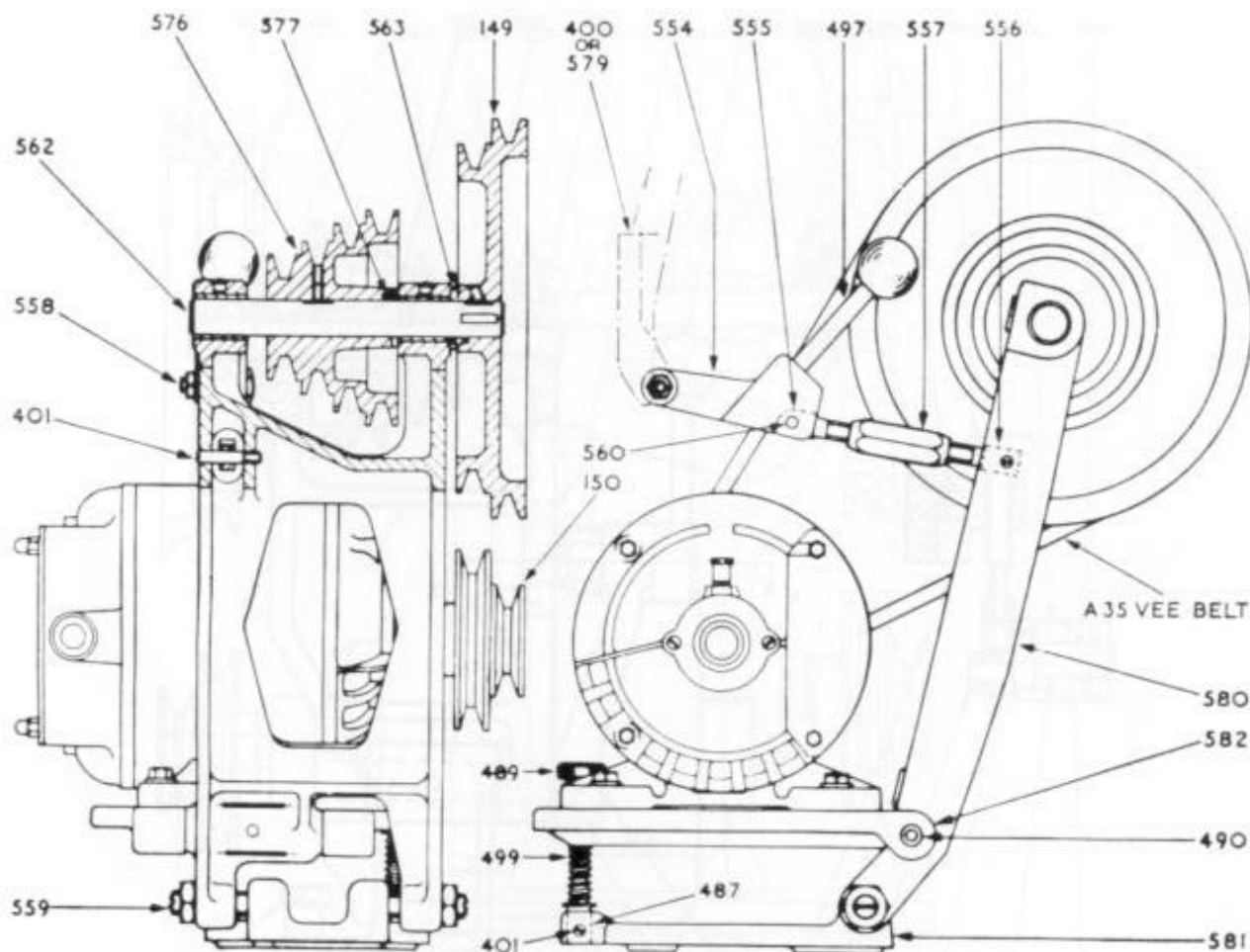
Part No's	Standard Underneath Drive 1966 Onwards	
3656-557	TENSION NUT	£13.14
3656-613	PIVOT BUSH	£3.09
3656-614	SHIFTER	£7.95
3656-616	EYE BOLT 0.375" HOLE Use 3656-616A	£9.24
3656-616A	EYE BOLT 10MM. HOLE	£9.24
3656-623A	PIVOT BRACKET	£6.78
3656-624A	PIVOT SCREW	obsolete
3656-625A	MOTOR PLATFORM	obsolete
3656-626	COUNTERSHAFT PULLEY 0.875" BORE	£60.00
3656-626-1	COUNTERSHAFT PULLEY 1.0" BORE	£65.25
3656-631	6" PULLEY (STATE BORE SIZE)	£24.87
3656-633	3" PULLEY	£30.45
3656-634	MOTOR KEY	£0.90
3656-646A	MOTOR FIXING NUTS	£7.74
3656-647	COUNTERSHAFT SPINDLE	£43.53
3656-723B	HANGER	obsolete
3656-747	INTERMEDIATE SHAFT	£42.36
3656-748A	TIE ROD	£3.48
3656-749A	PIVOT BLOCK	£17.10
3656-750	ECCENTRIC	obsolete
3656-751	BRACKET	obsolete
3656-752	HANDLE	£2.88
3656-753	2.625" PULLEY (1") (3.0" O/D)	obsolete
BR-826R	3/4" PICADOR 826R UPPER SHAFT U/D LATHES	£21.00
BL-A32	A32 (A850) V Belt	£6.03
B-LINK1/2	40%A sect.x1/2" link belt 4.25 ft	£59.04



**Diagram K. Countershaft—Underdrive**

Part No's	Countershaft Underdrive From Oct 1962 to 1966	
3656-557	TENSION NUT	£13.14
3656-608	RELEASE SHAFT	obsolete
3656-609	COLLAR Use 4740-16-22	£4.77
3656-610	ANGLE BRACKET	£3.00
3656-611	STOP PIN Use 4740-16-18	£0.48
3656-612	ECCENTRIC Use 4740-16-20	£11.91
3656-613	PIVOT BUSH	£3.09
3656-614	SHIFTER	£7.95
3656-615	TIE ROD	obsolete
3656-616	EYE BOLT 0.375" HOLE Use 616A	£9.24
3656-616A	EYE BOLT 10MM. HOLE	£9.24
3656-617	SCREW PIN Use 4740-16-13	obsolete
3656-618	LARGE BUSH OLD U/DRIVE INTERSHAFT	obsolete
3656-619	INTERMEDIATE SHAFT OLD U/DRIVE INTERSHAFT	obsolete
3656-620	COLLAR (1") OLD U/DRIVE INTERSHAFT	obsolete
3656-621	INTERMEDIATE PULLEY OLD U/DRIVE INTERSHAFT	obsolete
3656-622	SMALL BUSH OLD U/DRIVE INTERSHAFT	obsolete
3656-623A	PIVOT BRACKET	£6.78
3656-624A	PIVOT SCREW	obsolete
3656-625A	MOTOR PLATFORM	obsolete
3656-626	COUNTERSHAFT PULLEY 0.875" BORE	£60.00
3656-631	6" PULLEY (STATE BORE SIZE)	£24.87
3656-633	3" PULLEY	£30.45
3656-634	MOTOR KEY	£0.90
3656-646A	MOTOR FIXING NUTS	£7.74
BL-A32	A32 (A850) V Belt	£6.03
BL-LINK-1\2	40%A sect.x1/2" link belt 4.25 ft	£59.04

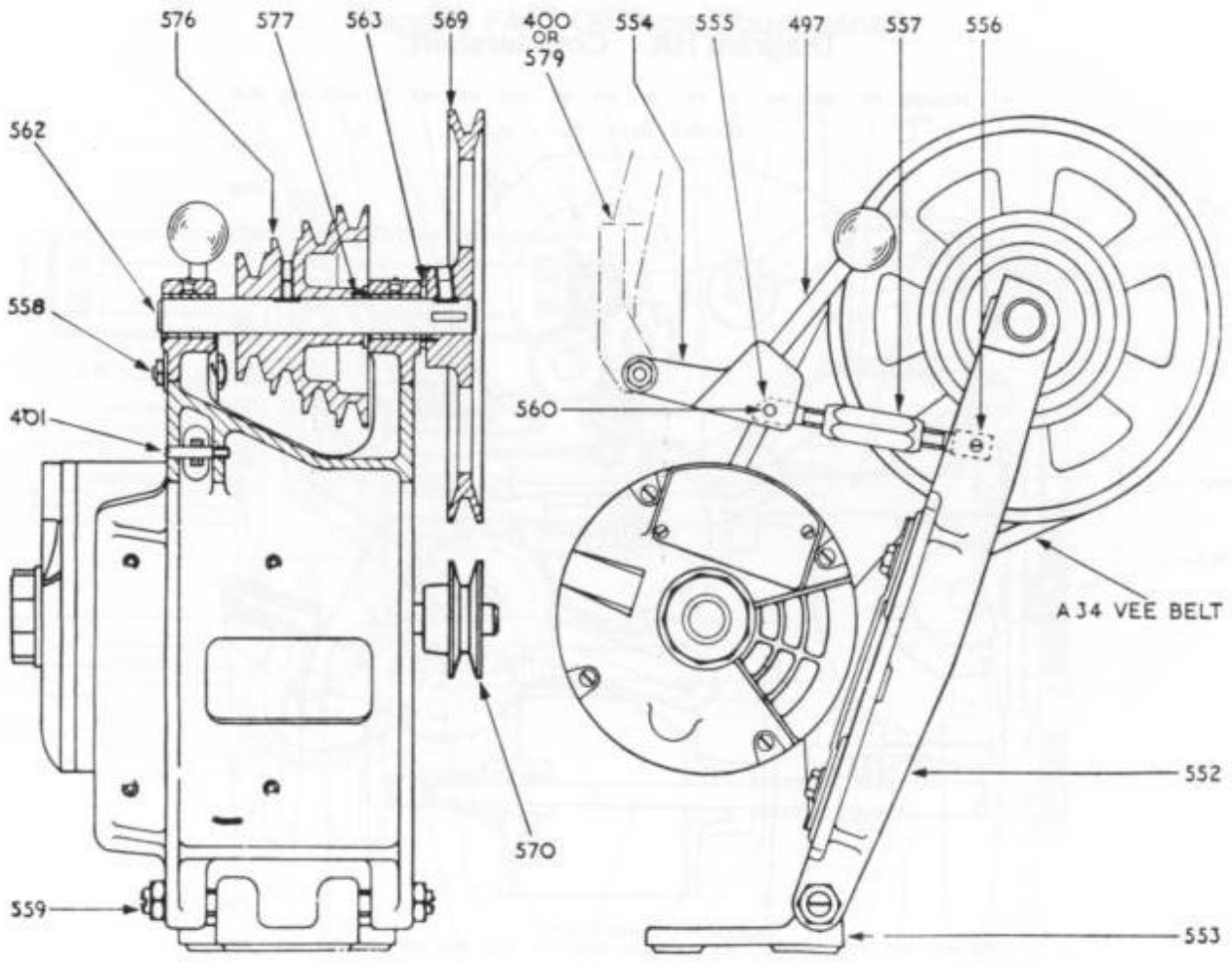




**Diagram G. Countershaft (Models A, B and C)**

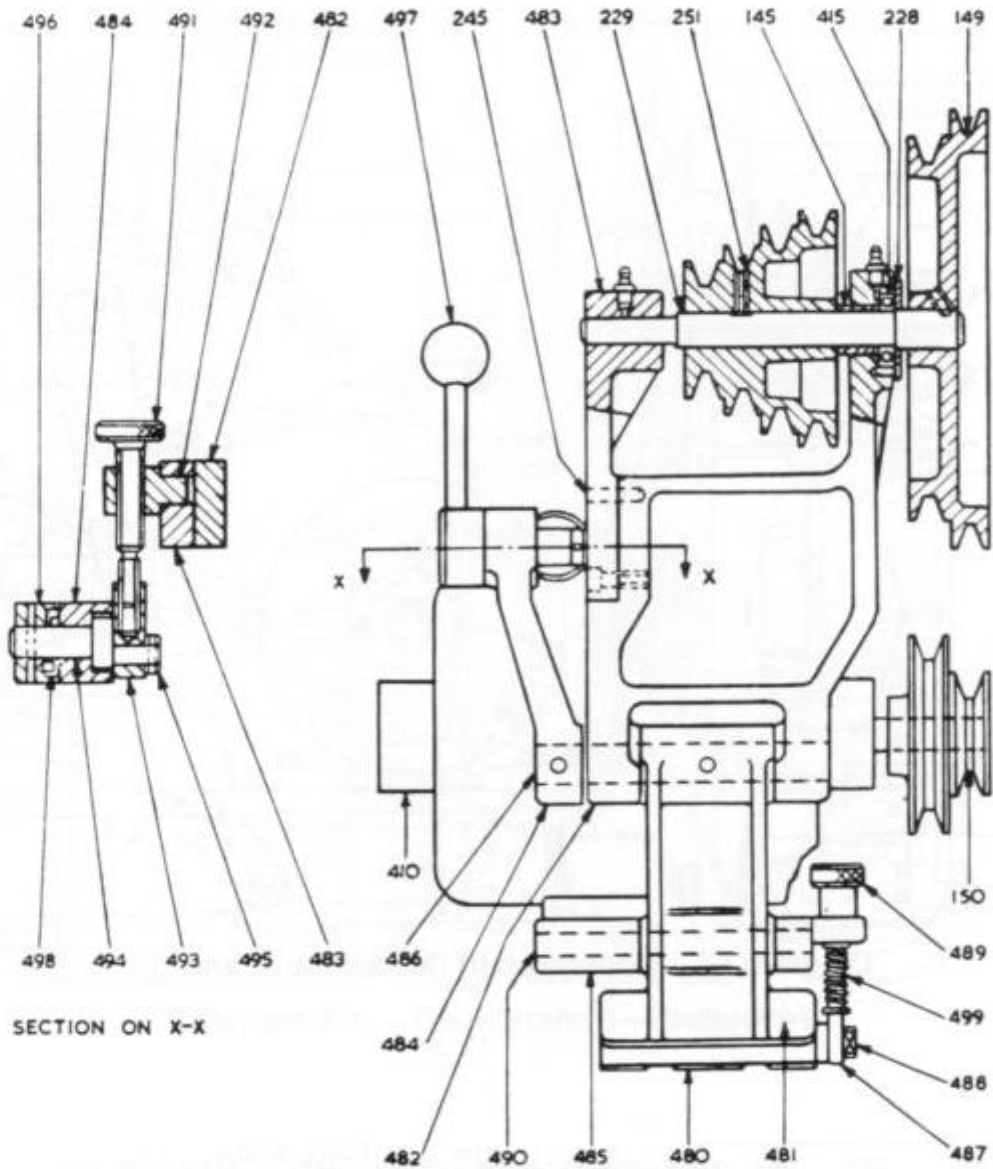
Part No,s	Countershaft Bench Model From 1958 Models A,B & C	
3656-149	COUNTERSHAFT DRIVE PULLEY	£147.75
3656-400	TAILSTOCK STOP PIN	obsolete
3656-401	REVERSE GEAR BRACKET	£15.00
3656-487	EYE BOLT	obsolete
3656-489	MOTOR ADJUSTMENT NUT	obsolete
3656-490	MOTOR PIVOT PIN	obsolete
3656-497	HANDLE	obsolete
3656-499	COMPRESSION SPRING	obsolete
3656-554	TENSION BRACKET	obsolete
3656-555	R.H.EYE BOLT Use 6341-21	£7.08
3656-556	L.H.EYE BOLT	£7.08
3656-557	TENSION NUT	£13.14
3656-558	RETAINING SCREW OLD BENCH MODEL C/SHAFT	£11.04
3656-559	PIVOT SCREW OLD BENCH MODEL C/SHAFT	£7.08
3656-560	PIN OLD BENCH MODEL C/SHAFT	obsolete
3656-562	SPINDLE	£7.50
3656-563	THRUST WASHER OLD BENCH COUNTERSHAFTS	obsolete
3656-576	COUNTERSHAFT V-PULLEY	£57.18
3656-577	LOCATION PIN FOR 563	obsolete
3656-579	ANCHOR BRACKET	obsolete
3656-580	COUNTERSHAFT	obsolete
3656-581	COUNTERSHAFT BASE	obsolete
3656-582	MOTOR PLATFORM	obsolete
BL-A35	A35 Vee Belt	£6.21





**Diagram J. Countershaft—CSB**

Part No,s	Countershaft CSB From Sep 1957 to Jan 1958	
3656-400	SWITCH BRACKET	obsolete
3656-401	TAILSTOCK STOP PIN	£15.00
3656-497	HANDLE	obsolete
3656-552	COUNTERSHAFT (C.S.B.)	obsolete
3656-553	PIVOT BRACKET	obsolete
3656-554	TENSION BRACKET	obsolete
3656-555	R.H.EYE BOLT Use 6341-21	£7.08
3656-556	L.H.EYE BOLT	£7.08
3656-557	TENSION NUT	£13.14
3656-558	RETAINING SCREW OLD BENCH MODEL C/SHAFT	£11.04
3656-559	PIVOT SCREW OLD BENCH MODEL C/SHAFT	£7.08
3656-560	PIN OLD BENCH MODEL C/SHAFT	obsolete
3656-562	SPINDLE	£7.50
3656-563	THRUST WASHER OLD BENCH COUNTERSHAFTS	obsolete
3656-569	8" PULLEY (C.S.B.)	obsolete
3656-570	2" PULLEY (C.S.B.)	obsolete
3656-576	COUNTERSHAFT V-PULLEY	£57.18
3656-577	LOCATION PIN FOR 563	obsolete
3656-579	ANCHOR BRACKET	obsolete
		obsolete
BL-A34	A34 Vee Belt	£1.95

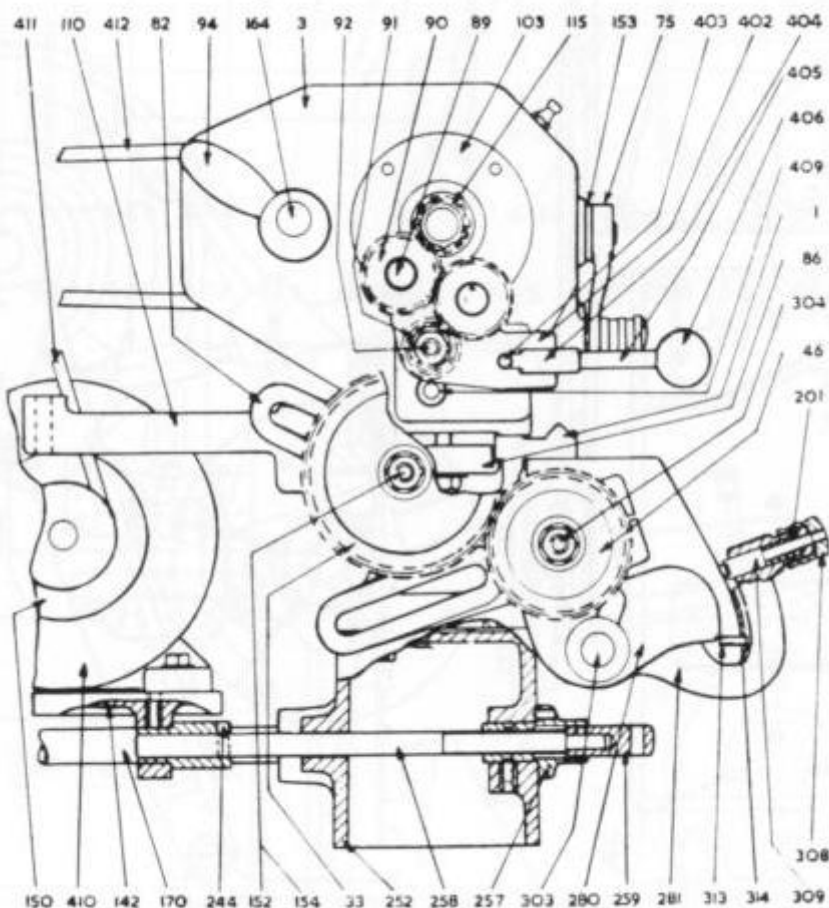


**Diagram HA. Countershaft**

Part No's	Countershaft From Oct 1953 to Sep 1957	
3656-145	SPACING WASHER	obsolete
3656-149	COUNTERSHAFT DRIVE PULLEY	£147.75
3656-150	MOTOR PULLEY	obsolete
3656-228	RETAINING WASHER	obsolete
3656-229	COUNTERSHAFT SPINDLE	£15.00
3656-245	DOWEL	obsolete
3656-251	COUNTERSHAFT PULLEY	obsolete
3656-415	BALL JOURNAL LS7	obsolete
3656-480	COUNTERSHAFT BASE	obsolete
3656-481	COUNTERSHAFT BRACKET	obsolete
3656-482	COUNTERSHAFT UPRIGHT	obsolete
3656-483	LOOSE BRACKET	obsolete
3656-484	BRACKET	obsolete
3656-485	MOTOR PLATFORM	obsolete
3656-486	COUNTERSHAFT PIVOT	obsolete
3656-487	EYE BOLT	obsolete
3656-488	EYE BOLT STUD	obsolete



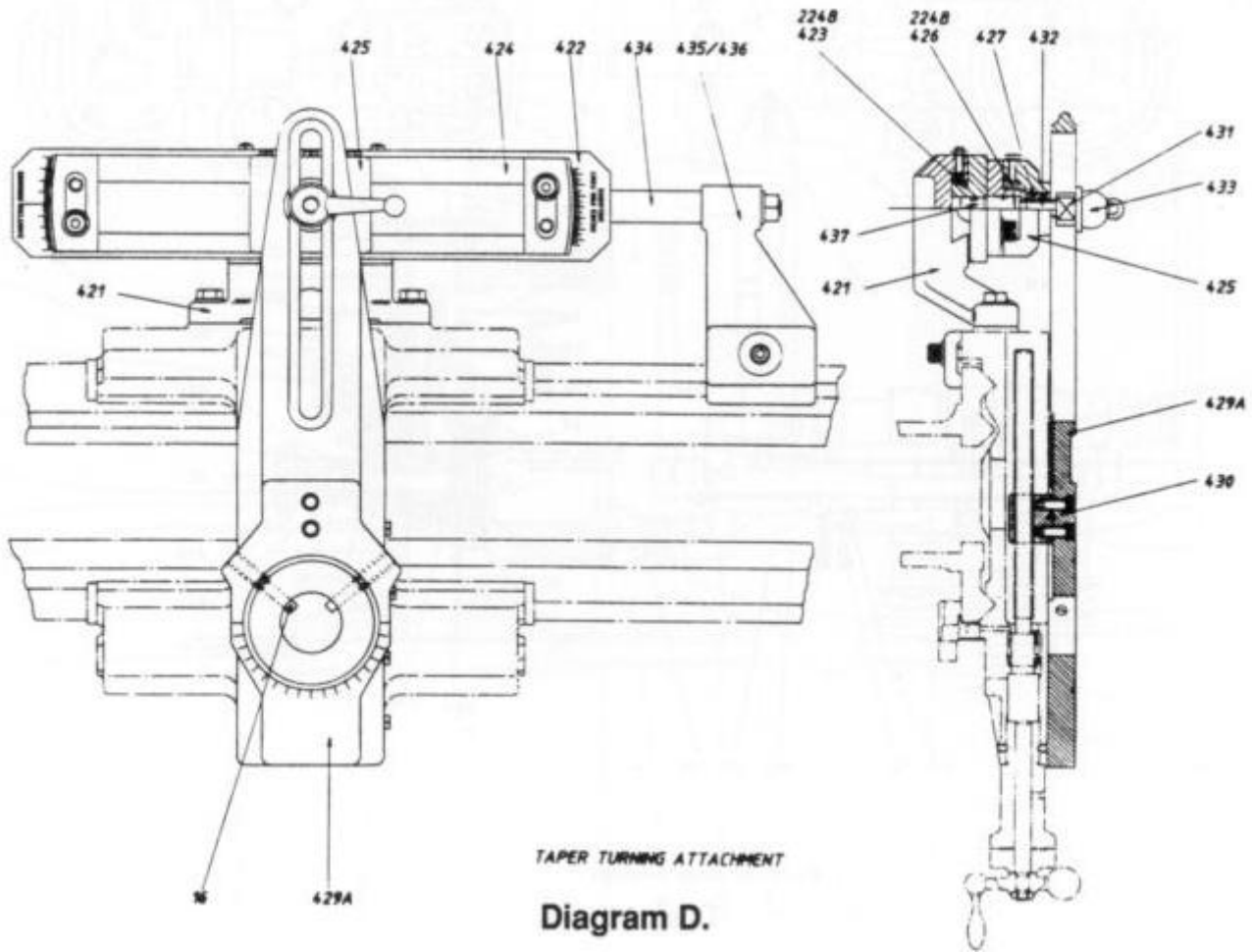
3656-489	MOTOR ADJUSTMENT NUT	obsolete
3656-490	MOTOR PIVOT PIN	obsolete
3656-491	BELT ADJUSTMENT SCREW	obsolete
3656-492	NUT	obsolete
3656-493	SHIFTER	obsolete
3656-494	ECCENTRIC	obsolete
3656-495	COLLAR	obsolete
3656-496	HANDLE BUSH	obsolete
3656-497	HANDLE	obsolete
3656-498	STOP PIN	obsolete
3656-499	COMPRESSION SPRING	obsolete


**Diagram GA. Change Gears**

Part No's	ChangeGears	
3656-1	BED 36", 42", 48"	obsolete
3656-3	HEADSTOCK (MK 1 & BENCH LATHES) 4.5"	obsolete
3656-33	IDLER GEAR 80T	£97.68
3656-46	CHANGE GEAR 56T	£45.39
3656-75	GEAR SHIFTER LEVER	£21.06
3656-82A	CHANGE GEAR QUADRANT	£46.14
3656-86	HEADSTOCK CLAMP	£6.57
3656-89	REVERSE GEAR STUD	£5.49
3656-90	REVERSE GEAR (STEEL-14.5%P.A.)	£11.46
3656-91	REVERSE GEAR FOLLOWER (14.5%P.A.)	£9.66
3656-92	STUD GEAR SPINDLE	£14.82
3656-94	BACK GEAR HANDLE	£26.88
3656-103B	REAR COVER PLATE NON SCREW TYPE ONLY	£16.92
3656-110	COVER BRACKET	£5.58
3656-115	ME10 MODEL MAIN SPINDLE	£105.18
3656-142	MOTOR PLATFORM	obsolete
3656-150	MOTOR PULLEY	obsolete
3656-152	BOLT	£16.26
3656-153	ECCENTRIC BUSH	£11.61
3656-154	CHANGE GEAR BUSH	£17.01
3656-164	BACK GEAR SHAFT	£6.03
3656-170	MOTOR BRACKET SUPPORT	obsolete
3656-201	GEAR SHIFTER SPRING	£2.91
3656-244	PIN (BELT TENSION SCREW)	obsolete
3656-252	HEADSTOCK FOOT	obsolete
3656-257	BELT TENSIONING BUSH	obsolete
3656-258	BELT TENSIONING SCREW	obsolete

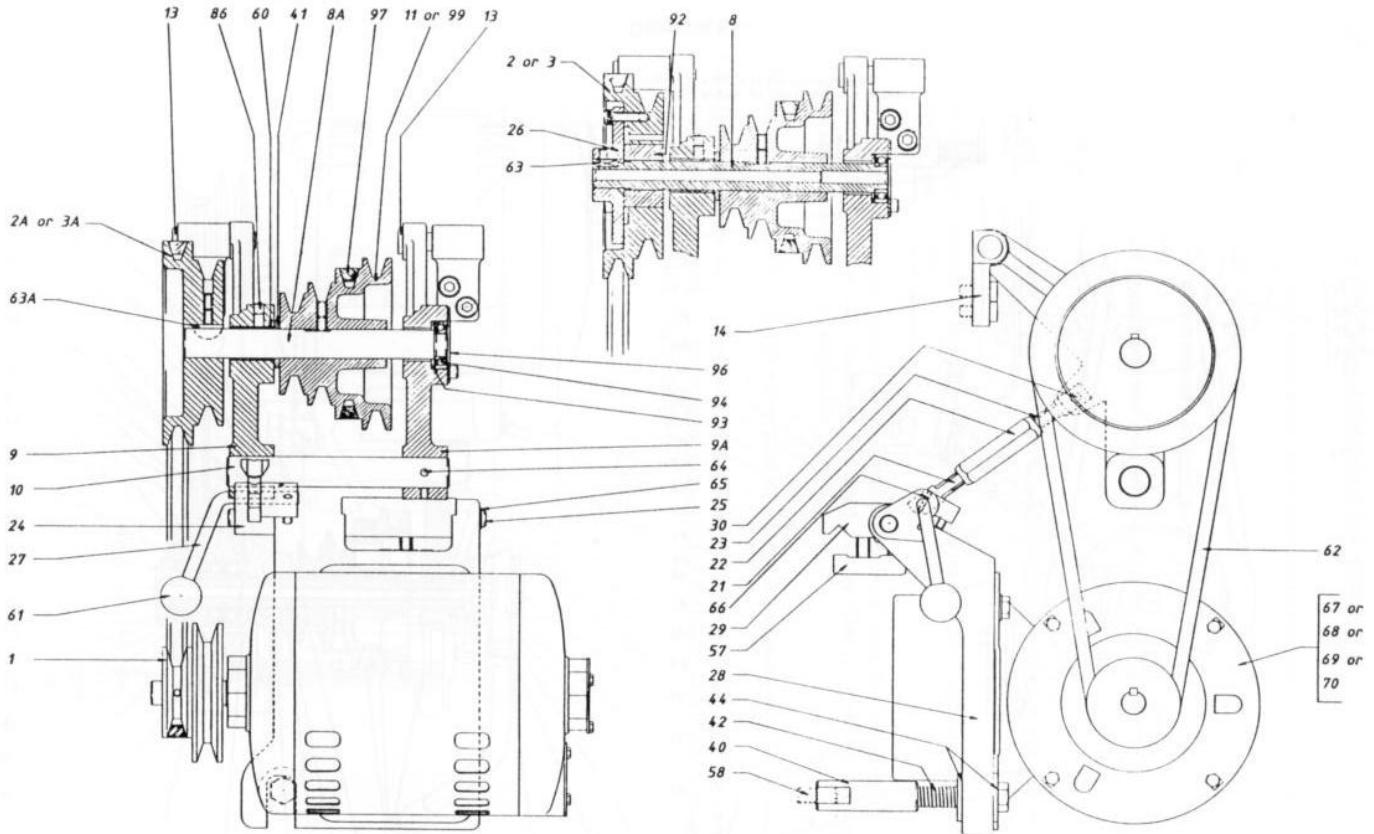


3656-259	BELT TENSIONING SCREW HEAD	obsolete
3656-280E	GEAR BOX BODY (ENGLISH)	obsolete
3656-280M	GEAR BOX BODY (METRIC)	obsolete
3656-281	L.H. GEAR BOX LEVER	£90.00
3656-303	GEAR LEVER SHAFT	£25.83
3656-304	GEARBOX INPUT SHAFT	£19.23
3656-308	KNOB (GEAR BOX)	£4.95
3656-309	PLUNGER (GEAR BOX)	£4.14
3656-313	GUIDE PLATE (ENGLISH)	£5.76
3656-314	PIN (GUIDE PLATE)	£0.60
3656-402	REVERSE GEAR BRACKET	£31.53
3656-403	PLUNGER	£4.95
3656-404	FINGER	£7.38
3656-405	HANDLE	£30.00
3656-406	KNOB 1" DIA. X 3/8W	£3.99
3656-409A	RETAINING PIECE	£4.71
BL-A33	A33 BL-A33 A33 Vee Belt	obsolete
BL-A36	A36 BL-A36 A36 Vee Belt	£5.70



Part No's	Taper Turning Attachment	
3656-16	CLAMP SLUG	£1.44
3656-224B	GIB STRIP PIN (CROSS SLIDE)	£0.39
3656-421	TAPER TURN. ATT. SLIDE BRACKET	£63.90
3656-422E	TAPER TURN. ATT. BOTTOM SLIDE ENGLISH	£7.62
3656-422M	TAPER TURN. ATT. BOTTOM SLIDE METRIC	£7.62
3656-423	TAPER TURN. ATT. GIB STRIP	£7.95
3656-424	TAPER TURN. ATT. TOP SLIDE	£107.28
3656-425	TAPER TURN. ATT. SLIDE BLOCK	£23.76
3656-426	TAPER TURN. ATT. GIB STRIP	£3.00
3656-427	TAPER TURN. ATT. BUSH	£5.01
3656-429A	TAPER TURN. ATT. CROSS SLIDE	£106.59
3656-430E	TAPER TURN. ATT. PHOS. BRONZE NUT ENGLISH	£13.35
3656-430M	TAPER TURN. ATT. PHOS. BRONZE NUT METRIC	£13.35
3656-431	TAPER TURN. ATT. BUSH	£5.01
3656-432	TAPER TURN. ATT. STUD	£6.06
3656-433	TAPER TURN. ATT. HANDLE Use 54	£34.20
3656-434	TAPER TURN. ATT. ANCHOR STUD	£6.39
3656-435	TAPER TURN. ATT. ANCHOR BRACKET	£56.64
3656-436	TAPER TURN. ATT. ANCHOR BRACKET CLAMP	£7.05
3656-437	TAPER TURN. ATT. PIVOT PIN	£4.50





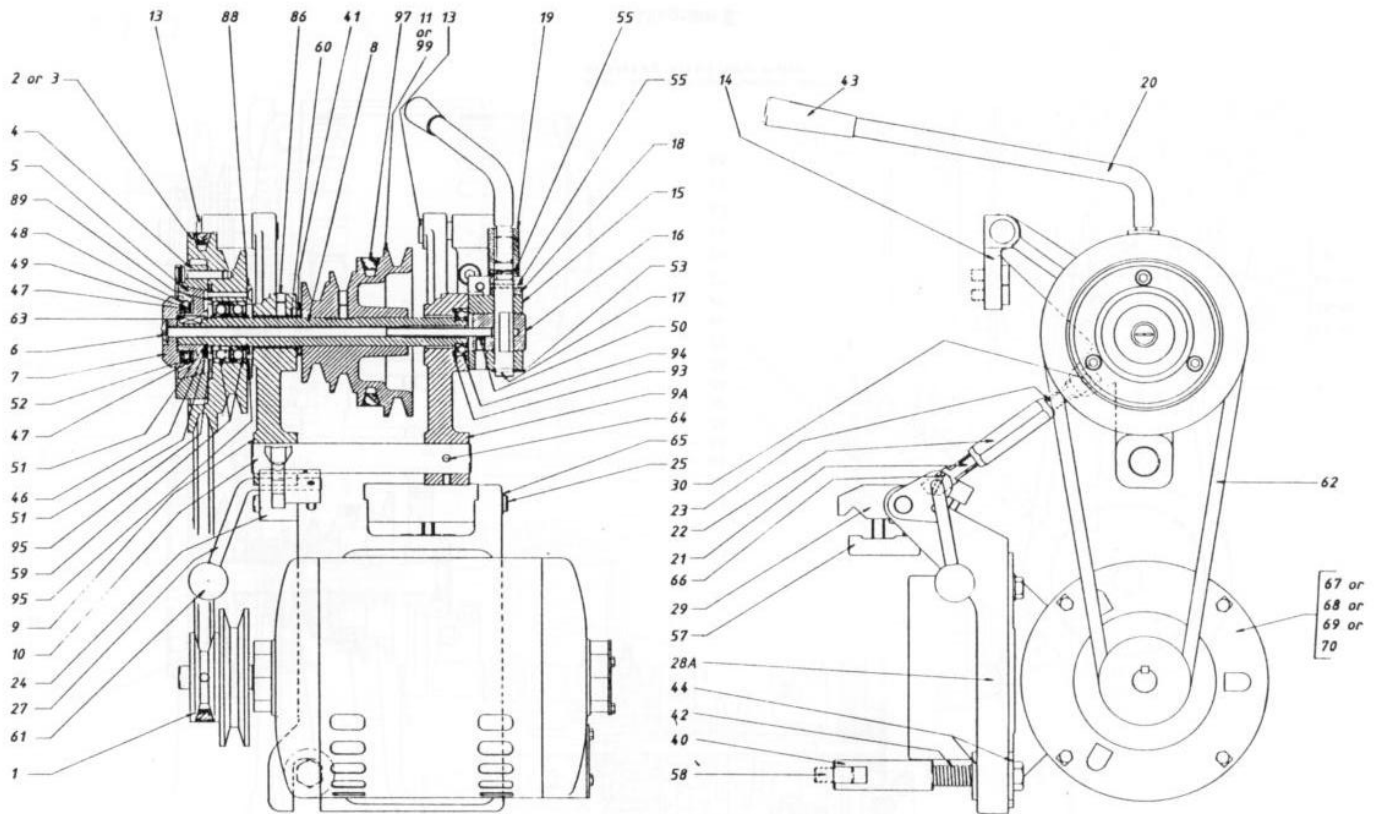
*Note:- Prefix all part numbers shown by 6341 e.g. 6341/1 Motor Pulley*

**Diagram E.**

part No's	Countershaft For The ME10	
6341-1	ME10 MOTOR PULLEY	£36.84
6341-2	ME10 COUNTERSHAFT DRIVE PULLEY LOW SPEED PRE SEP. 1980	obsolete
6341-2A	ME10 COUNTERSHAFT DRIVE PULLEY LOW SPEED PRE SEP. 1980	obsolete
6341-3	ME10 COUNTERSHAFT DRIVE PULLEY HIGH SPEED PRE SEP. 1980	obsolete
6341-3A	ME10 COUNTERSHAFT DRIVE PULLEY HIGH SPEED PRE SEP. 1980	£50.70
6341-8	ME10 COUNTERSHAFT SPINDLE PRE SEP. 1980	£33.99
6341-8A	ME10 COUNTERSHAFT SPINDLE FROM SEP. 1980	£11.25
6341-9	ME10 RIGHT HAND COUNTERSHAFT BRACKET	£34.56
6341-9A	ME10 LEFT HAND COUNTERSHAFT BRACKET	£42.54
6341-10	ME10 BRACKET LINK BAR	obsolete
6341-11	SEE 6341-99	obsolete
6341-13	ME10 PIVOT PIN	£2.34
6341-14	ME10 PIVOT BRACKET	£9.12
6341-21	ME10 RIGHT HAND EYE BOLT	obsolete
6341-22	ME10 TENSION NUT Use 3656-557	£13.14
6341-23	ME10 LEFT HAND EYE BOLT	obsolete
6341-24	ME10 TENSION SWIVEL	£9.57
6341-25	ME10 PIVOT SHAFT	obsolete
6341-26	ME10 DRIVING PLATE	obsolete
6341-27	ME10 TENSION LEVER	£1.65
6341-28	ME10 MOTOR PLATFORM	obsolete
6341-29	ME10 MOTOR PLATFORM PIVOT	obsolete
6341-30	ME10 SWIVEL PIN	obsolete
6341-40	ME10 TENSIONING BLOCK	obsolete
6341-41	ME10 THIN SPACER	obsolete
6341-42	ME10 COMPRESSION SPRING	obsolete
6341-44	ME10 WASHER	obsolete



6341-57	ME10 CLAMP Use 3656-179	£6.48
6341-58	ME10 STUD	£1.65
6341-60	ME10 OILITE BUSH BR-CT15x1.125"	£8.10
6341-61	ME10 BALL KNOB 1"DIA.x5/16"W HA-BK-5\16-1	£2.52
6341-62	ME10 VEE BELT BL-A29	P.O.A.
6341-63A	ME10 WOODRUFF KEY No. 90 .75"x3/16"	obsolete
6341-64	ME10 TAPER PIN .25"DIA.x1.5"	obsolete
6341-65	ME10 EXTERNAL CIRCLIP 7/16"	obsolete
6341-66	ME10 TAPER PIN 5/32"DIA.x1.5"	obsolete
6341-67	ME10 MOTOR I PHASE STD SPEED LIST 25 EL-MT-25	P.O.A.
6341-68	ME10 MOTOR 3 PHASE STD SPEED LIST 26 EL-MT-26	P.O.A.
6341-69	ME10 MOTOR I PHASE LOW SPEED LIST 23 EL-MT-23	P.O.A.
6341-70	ME10 MOTOR 3 PHASE LOW SPEED LIST 24 EL-MT-24	P.O.A.
6341-86	ME10 BALL OILER 1/4" BSO	obsolete
6341-92	ME10 BUSH	£7.80
6341-93	ME10 WAVED WASHER EPL25	obsolete
6341-94	ME10 BALL BEARING 6002-2Z	obsolete
6341-96	ME10 RETAINING PLATE	£3.60
6341-97	ME10 LINK BELT 7/16" x 40% x 42 LINKS	£59.04
6341-99	ME10 COUNTERSHAFT "V" PULLEY 60 HZ	£28.41



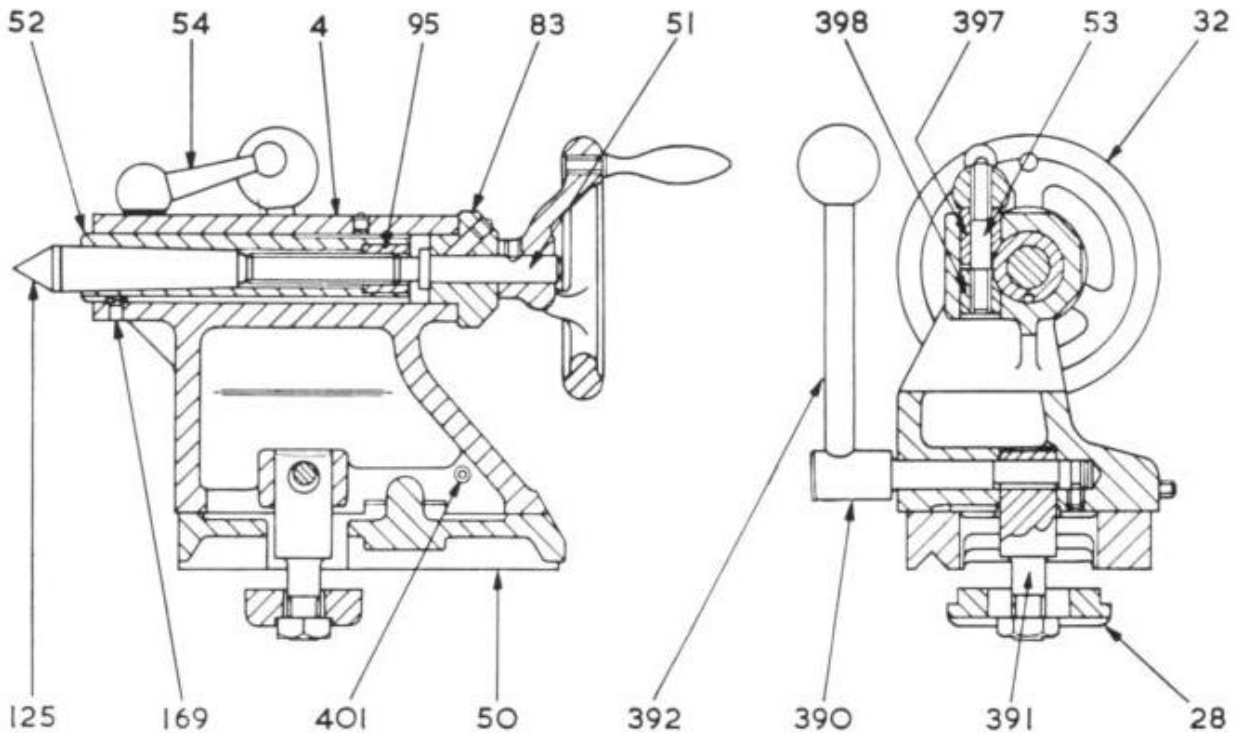
*Note:- Prefix all part numbers shown by 6341 e.g. 6341/1 Motor Pulley*

**Diagram EC.**

Part No's	Motor Pulley For The ME10	
6341-1	ME10 MOTOR PULLEY	£36.84
6341-2	ME10 COUNTERSHAFT DRIVE PULLEY LOW SPEED PRE SEP. 1980	obsolete
6341-2A	ME10 COUNTERSHAFT DRIVE PULLEY LOW SPEED FROM SEP. 1980	obsolete
6341-3	ME10 COUNTERSHAFT DRIVE PULLEY HIGH SPEED PRE SEP. 1980	obsolete
6341-3A	ME10 COUNTERSHAFT DRIVE PULLEY HIGH SPEED FROM SEP. 1980	£50.70
6341-4	ME10 MOTOR CLUTCH RING	£1.50
6341-5	ME10 CLUTCH PLATE	£1.50
6341-6	ME10 CLUTCH ROD	£3.00
6341-7	ME10 CLUTCH ROD CAP	£2.25
6341-8	ME10 COUNTERSHAFT SPINDLE PRE SEP. 1980	£33.99
6341-8A	ME10 COUNTERSHAFT SPINDLE FROM SEP. 1980	£11.25
6341-9	ME10 RIGHT HAND COUNTERSHAFT BRACKET	£34.56
6341-9A	ME10 LEFT HAND COUNTERSHAFT BRACKET	£42.54
6341-10	ME10 BRACKET LINK BAR	obsolete
6341-11	SEE 6341-99	£28.41
6341-13	ME10 PIVOT PIN	£2.34
6341-14	ME10 PIVOT BRACKET	£9.12
6341-15	ME10 BLOCK HOUSING	£5.40
6341-16	ME10 TENSION BLOCK	£5.10
6341-17	ME10 OPERATING SHAFT	£6.00
6341-18	ME10 LIMIT STOP	£5.25
6341-19	ME10 COUPLING	£7.50
6341-20	ME10 OPERATING LEVER	£10.50
6341-21	ME10 RIGHT HAND EYE BOLT	obsolete
6341-22	ME10 TENSION NUT Use 3656-557	£13.14
6341-23	ME10 LEFT HAND EYE BOLT	obsolete
6341-24	ME10 TENSION SWIVEL	£9.57



6341-25	ME10 PIVOT SHAFT	obsolete
6341-27	ME10 TENSION LEVER	£1.65
6341-28A	ME10 MOTOR PLATFORM	obsolete
6341-29	ME10 MOTOR PLATFORM PIVOT	obsolete
6341-30	ME10 SWIVEL PIN	obsolete
6341-40	ME10 TENSIONING BLOCK	£10.89
6341-41	ME10 THIN SPACER	£3.06
6341-42	ME10 COMPRESSION SPRING	obsolete
6341-43	ME10 HANDLE	obsolete
6341-44	ME10 WASHER	obsolete
6341-46	ME10 THRUST WASHER AS-1730	obsolete
6341-47	ME10 THRUST WASHER AS-2542	obsolete
6341-48	ME10 THRUST WASHER LS-2542	obsolete
6341-49	ME10 THRUST CAGE AXK-2542	obsolete
6341-50	ME10 SLUG Use 3656-688	£0.75
6341-51	ME10 DISC SPRING K6001	obsolete
6341-52	ME10 DISC SPRING K6203	obsolete
6341-53	ME10 EXTERNAL CIRCLIP 12mm.	obsolete
6341-55	ME10 TENSION PIN 3mm.x20mm.	obsolete
6341-57	ME10 CLAMP Use 3656-179	£6.48
6341-58	ME10 STUD	£1.65
6341-59	ME10 BALL BEARING KLNJ 3/4" 2Z	obsolete
6341-60	ME10 OILITE BUSH BR-CT15x1.125"	£8.10
6341-61	ME10 BALL KNOB 1"DIA.x5/16"W HA-BK-5\16-1	£2.52
6341-62	ME10 VEE BELT A29	P.O.A.
6341-63	ME10 WOODRUFF KEY No. 90 .75"x3/16"	obsolete
6341-64	ME10 TAPER PIN .25"DIA.x1.5"	obsolete
6341-65	ME10 EXTERNAL CIRCLIP 7/16"	obsolete
6341-66	ME10 TAPER PIN 5/32"DIA.x1.5"	obsolete
6341-67	ME10 MOTOR 1 PHASE STD SPEED LIST 25	P.O.A.
6341-68	ME10 MOTOR 3 PHASE STD SPEED LIST 26	P.O.A.
6341-69	ME10 MOTOR 1 PHASE LOW SPEED LIST 23	P.O.A.
6341-70	ME10 MOTOR 3 PHASE LOW SPEED LIST 24	P.O.A.
6341-86	ME10 BALL OILER 1/4" BSO	obsolete
6341-88	ME10 CLAMP PLATE	£7.20
6341-89	ME10 LOCATING PLATE	obsolete
6341-95	ME10 EXTERNAL CIRCLIP .75"	obsolete
6341-97	ME10 LINK BELT 7/16" x 40% x 42 LINKS	£59.04
6341-99	ME10 COUNTERSHAFT "V" PULLEY 60 HZ	£28.41



**Diagram U. Tailstock**

Part No's	Tailstock	
3656-4	TAILSTOCK Check with M.F. Not Available	obsolete
3656-28	TAILSTOCK CLAMP	£5.61
3656-32	TAILSTOCK HANDWHEEL (handle 3656-587A spindle 3656-853) Use 571B	£74.64
3656-50	TAILSTOCK BASE 4.5" SWING	obsolete
3656-50A	TAILSTOCK BASE 5.0" SWING 1.270" THICK	£27.36
3656-51	TAILSTOCK LEAD SCREW	£103.92
3656-52B	TAILSTOCK SPINDLE ENGLISH AND METRIC	£36.99
3656-52B-95	TAILSTOCK SPINDLE AND NUT ASSEMBLED	£177.45
3656-53	TAILSTOCK STUD	£4.56
3656-54	TAILSTOCK HANDLE	£34.20
3656-83	TAILSTOCK BUSH	£8.04
3656-95	TAILSTOCK NUT	£11.46
3656-125	TAILSTOCK CENTRE (HARD)	£25.86
3656-169	TAILSTOCK BUTTON KEY	£1.53
3656-390A	TAILSTOCK CLAMP ECCENTRIC	£48.39
3656-391	TAILSTOCK CLAMP PIN	£8.64
3656-392	TAILSTOCK CLAMP HANDLE	£3.18
3656-397	CLAMP (TAILSTOCK SPINDLE)	£3.75
3656-398	CLAMP (TAILSTOCK SPINDLE)	£15.45
3656-401	TAILSTOCK STOP PIN	£15.00