



Boxford A/B/AUD/BUD Mk1/2 Parts Manual

Dated January 31st 2011

Index

Table of Contents

General Assembly Mark1	2
General Assembly Mark2	4
Headstock Mk1	6
Headstock Mk2	8
Apron A/B (Old Version)	9
Apron A/B (Old Version)	9
Apron A/B	10
Saddle & Compound	12
Gearbox Imperial	14
Gearbox Metric	15
Gearing, Mk1 & Bench Models	16
Standard Underneath Drive 1966 Onwards	18
Countershaft Underdrive From Oct 1962 to 1966	19
Countershaft Bench Model From 1958 Models A,B & C	20
Countershaft From Oct 1953 to Sep 1957	21
ChangeGears	22
Tailstock	24

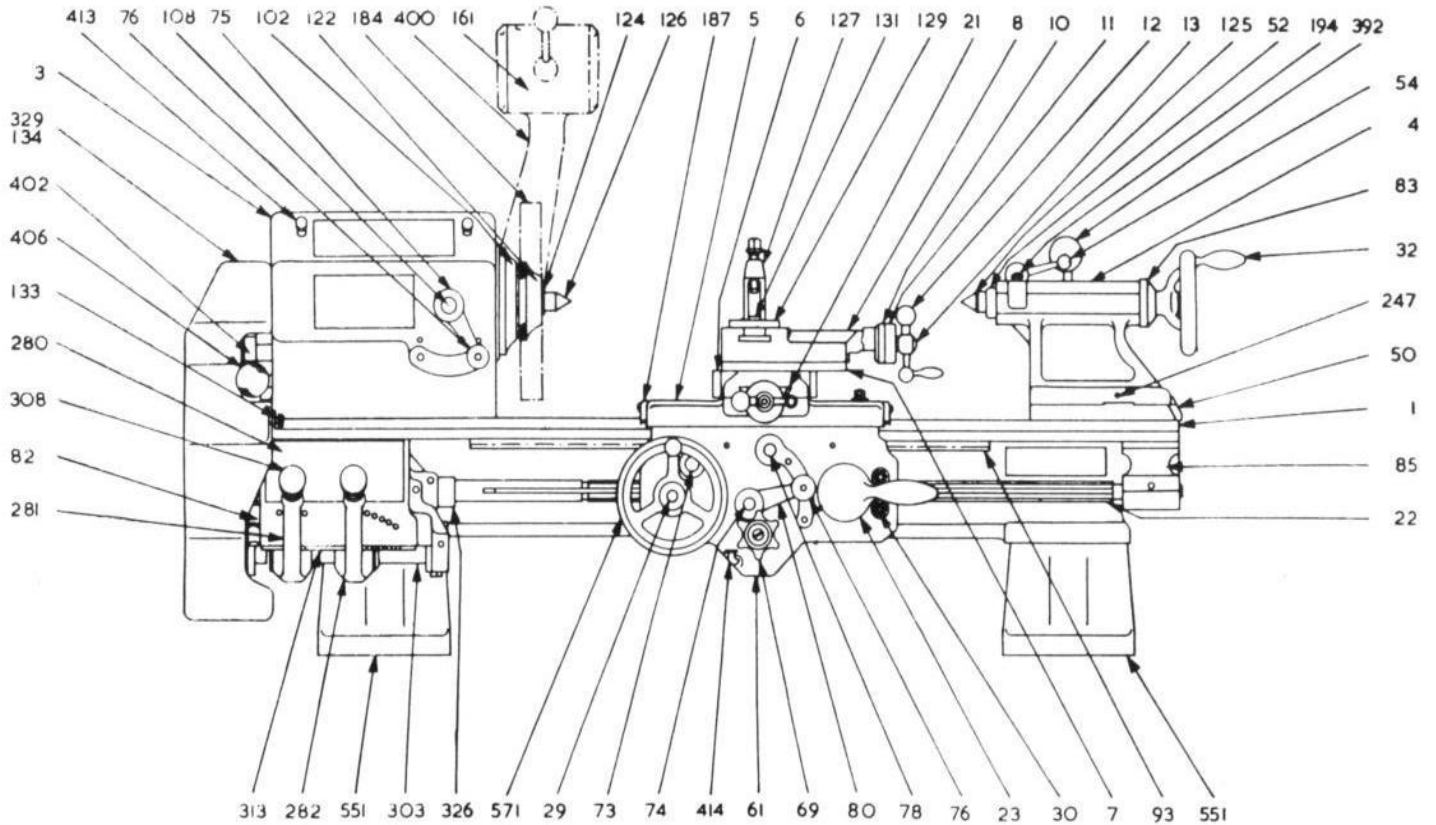


Diagram Y. General Arrangement

Part No's	General Assembly Mark1	
3656-1	BED 36", 42", 48"	obsolete
3656-3	HEADSTOCK (MK 1 & BENCH LATHES) 4.5"	obsolete
3656-4	TAILSTOCK	obsolete
3656-5A	SADDLE	£99.78
3656-6A	CROSS SLIDE (TEE SLOTTED)	£92.67
3656-7	COMPOUND REST SLIDE 4.5"	£42.96
3656-8A	TOOLSLIDE	£33.87
3656-10	TOOLSLIDE BUSH 1 5/8" DIAL FROM OCT. 1963 SERIAL NO. 12600 APPROX	£13.83
3656-11-ENG	DIAL (ENGLISH) 1 5/8" DIAL FROM OCT. 1963 SERIAL NO. 12600 APPROX	£22.50
3656-11-MET	DIAL (METRIC) 1 5/8" DIAL FROM OCT. 1963 SERIAL NO. 12600 APPROX	£121.53
3656-12/588	TOOL SLIDE HANDLE AND GRIP 588 ASSEMBLED	£36.81
3656-13	LOCKNUT	£3.12
3656-21S	"T" SLOT CROSS SLIDE GIB STRIP	£20.73
3656-22A36	LEAD SCREW (ENGLISH "A" MODEL 36")	obsolete
3656-22A42	LEAD SCREW (ENGLISH "A" MODEL 42")	£214.50
3656-22A48	LEAD SCREW (ENGLISH "A" MODEL 48")	£80.94
3656-22B36	LEAD SCREW (ENGLISH "B" MODEL 36")	obsolete
3656-22B42	LEAD SCREW (ENGLISH "B" MODEL 42")	£66.27
3656-22B48	LEAD SCREW (ENGLISH "B" MODEL 48")	£74.40
3656-22-36"BM	LEAD SCREW (METRIC "B" MODEL 36")	obsolete
3656-22-42"BM	LEAD SCREW (METRIC "B" MODEL 42")	£55.38
3656-22-48"BM	LEAD SCREW (METRIC "B" MODEL 48")	£76.68
3656-22C-36	LEAD SCREW (ENGLISH "C" MODEL 36")	obsolete
3656-22C42	LEAD SCREW (ENGLISH "C" MODEL 42")	£51.18
3656-22C48	LEAD SCREW (ENGLISH "C" MODEL 48")	£63.84



3656-22MC36	LEAD SCREW (METRIC "C" MODEL 36")	obsolete
3656-22MC42	LEAD SCREW (METRIC "C" MODEL 42")	£46.44
3656-22MC48	LEAD SCREW (METRIC "C" MODEL 48")	£61.44
3656-23A	SPLIT NUT LEVER AND HANDLE 589 ASSEMBLED	£19.47
3656-29	APRON HANDWHEEL PINION	£63.75
3656-30	HALF NUT PIVOT	£5.58
3656-32	TAILSTOCK HANDWHEEL (handle 3656-587A spindle 3656-853) Use 571B	£74.64
3656-50	TAILSTOCK BASE 4.5" SWING	obsolete
3656-52B	TAILSTOCK SPINDLE ENGLISH AND METRIC See 3656-52\95	£0.00
3656-52B\95	TAILSTOCK SPINDLE AND NUT ASSEMBLED	£177.45
3656-54	TAILSTOCK HANDLE	£34.20
3656-61	APRON ("A" AND "B" MODELS)	£138.66
3656-69	APRON CLUTCH KNOB MACHINES PRE SEP. 1974 SERIAL NO. 34500 APPROX.	£4.50
3656-69B	APRON CLUTCH KNOB MACHINES POST SEP. 1974 SERIAL NO. 34500 APPROX.	£3.15
3656-73A	RACK PINION STUD "A" OR "B" MODELS	£4.86
3656-74	IDLER GEAR SHIFTER	£14.76
3656-75	GEAR SHIFTER LEVER	£21.06
3656-76	GEAR SHIFTER KNOB	£5.70
3656-78	AUTO CROSS FEED STUD	£4.08
3656-80	IDLER GEAR SHIFTER LEVER	£11.01
3656-82A	CHANGE GEAR QUADRANT	£46.14
3656-83	TAILSTOCK BUSH	£8.04
3656-85	LEAD SCREW BRACKET REAR	£23.16
3656-93	RACK 36" 42", 48"	obsolete
3656-102A	FRONT COVER PLATE 3 HOLE FIXING ONLY	obsolete
3656-108	GEAR SHIFTER ECCENTRIC	£27.15
3656-122	NOSE CAP	£18.45
3656-124	SLEEVE	£11.55
3656-125	TAILSTOCK CENTRE	£25.86
3656-126	HEADSTOCK CENTRE	£19.86
3656-127	AMERICAN TOOL POST BODY	£26.73
3656-129	AMERICAN TOOL POST BLOCK	£37.50
3656-131A	AMERICAN TOOL POST WEDGE	£37.59
3656-133	GUARD THUMB SCREW	£1.47
3656-134	CHANGE GEAR GUARD	obsolete
3656-161	STANDARD SWITCH SBC 137 KA: SBC137 KA-A7 Switch	£196.50
3656-184	FACE PLATE	£75.00
3656-187LH	FELT HOLDER LEFT HAND	£3.69
3656-187RH	FELT HOLDER RIGHT HAND	£3.69
3656-194	OIL DIPPER	obsolete
3656-247	TAILSTOCK OFFSET SCREW	obsolete
3656-280	GEAR BOX BODY (ENGLISH) & METRIC	obsolete
3656-281	L.H. GEAR BOX LEVER	£90.00
3656-282	R.H. GEAR BOX LEVER (ENGLISH AND METRIC)	£90.00
3656-303	GEAR LEVER SHAFT	£25.83
3656-308	KNOB (GEAR BOX)	£4.95
3656-313	KEY (INTER SHAFT)	£5.76
3656-326	LEAD SCREW COLLAR	£3.12
3656-329	CHANGE GEAR GUARD	obsolete
3656-392	TAILSTOCK CLAMP HANDLE	£3.18
3656-400	SWITCH BRACKET	obsolete
3656-402	REVERSE GEAR BRACKET	£31.53
3656-406	KNOB 1" DIA. X 3/8W	£3.99
3656-413	GREASE LUBRICATOR	obsolete
3656-414	RIGHT ANGLED SNAP LID OILER	obsolete
3656-551	FOOT	obsolete
3656-571B	4.5" HANDWHEEL WITH GRIP 587A AND STUD 853	£74.64

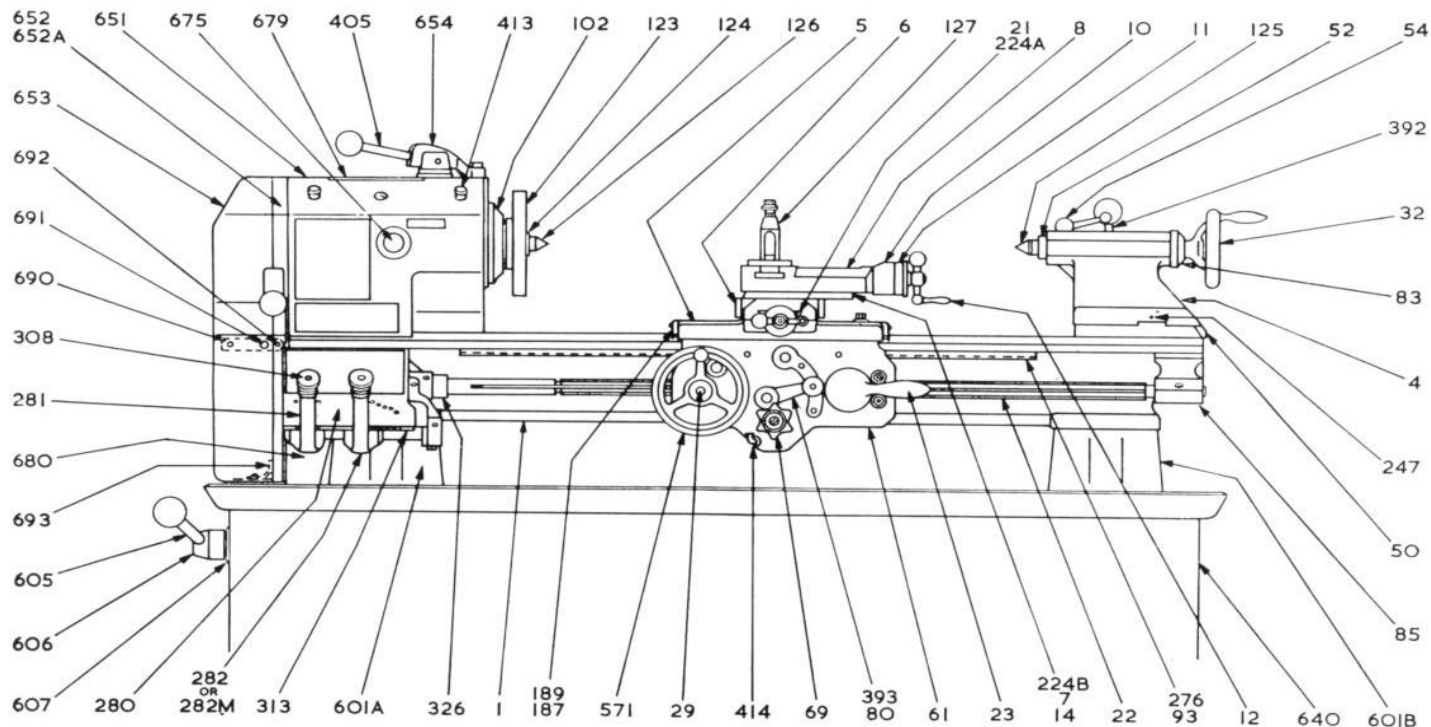


Diagram Z. General Arrangement Mk. II

Part No's	General Assembly Mark2	
3656-1	BED 36", 42", 48"	obsolete
3656-4	TAILSTOCK	obsolete
3656-5A	SADDLE	£99.78
3656-6A	CROSS SLIDE (TEE SLOTTED)	£92.67
3656-7	COMPOUND REST SLIDE 4.5"	£42.96
3656-7A	COMPOUND REST SLIDE 5.0"	£42.96
3656-8A	TOOLSLIDE	£33.87
3656-10	TOOLSLIDE BUSH 1 5/8" DIAL FROM OCT. 1963 SERIAL NO. 12600 APPROX	£13.83
3656-10/SB	TOOLSLIDE BUSH 1 1/32" DIAL TO APR. 1951 SERIAL NO. 2500 APPROX	obsolete
3656-10/OT	TOOLSLIDE BUSH 1 1/2" DIAL FROM APR. 1951	obsolete
	SERIAL NO. 2500 TO OCT. 1963 SERIAL NO. 12600 APPROX	
3656-11-ENG	DIAL (ENGLISH) 1 5/8" DIAL FROM OCT. 1963 SERIAL NO. 12600 APPROX	£22.50
3656-11E/SB	DIAL (ENGLISH) 1 1/32" DIAL TO APR. 1951 SERIAL NO. 2500 APPROX	obsolete
3656-11E/OT	DIAL (ENGLISH) 1 1/2" DIAL FROM APR. 1951	obsolete
	SERIAL NO. 2500 TO OCT. 1963 SERIAL NO. 12600 APPROX	
3656-11ED	DIAL (ENGLISH-DIRECT READING)	obsolete
3656-11-MET	DIAL (METRIC) 1 5/8" DIAL FROM OCT. 1963 SERIAL NO. 12600 APPROX	£121.53
3656-11M/SB	DIAL (METRIC) 1 1/32" DIAL TO APR. 1951 SERIAL NO. 2500 APPROX	obsolete
3656-11M/OT	DIAL (METRIC) 1 1/2" DIAL FROM APR. 1951	obsolete
	SERIAL NO. 2500 TO OCT. 1963 SERIAL NO. 12600 APPROX	
3656-11MD	DIAL (METRIC-DIRECT READING)	£30.00
3656-11VE	DIAL (MILLING ATTACHMENT-ENGLISH)	£14.61
3656-11VM	DIAL (MILLING ATTACHMENT-METRIC)	£14.61
3656-12/588	TOOL SLIDE HANDLE AND GRIP 588 ASSEMBLED	£36.81
3656-22A36	LEAD SCREW (ENGLISH "A" MODEL 36")	obsolete
3656-22A42	LEAD SCREW (ENGLISH "A" MODEL 42")	£214.50
3656-22A48	LEAD SCREW (ENGLISH "A" MODEL 48")	£80.94
3656-22B36	LEAD SCREW (ENGLISH "B" MODEL 36")	obsolete
3556-22B42	LEAD SCREW (ENGLISH "B" MODEL 42")	£66.27



3656-22B48	LEAD SCREW (ENGLISH "B" MODEL 48")	£74.40
3656-22-36"BM	LEAD SCREW (METRIC "B" MODEL 36")	obsolete
3656-22-42"BM	LEAD SCREW (METRIC "B" MODEL 42")	£55.38
3656-22-48"BM	LEAD SCREW (METRIC "B" MODEL 48")	£76.68
3656-22C-36	LEAD SCREW (ENGLISH "C" MODEL 36")	obsolete
3656-22C42	LEAD SCREW (ENGLISH "C" MODEL 42")	£51.18
3656-22C48	LEAD SCREW (ENGLISH "C" MODEL 48")	£63.84
3656-22MC36	LEAD SCREW (METRIC "C" MODEL 36")	obsolete
3656-22MC42	LEAD SCREW (METRIC "C" MODEL 42")	£46.44
3656-22MC48	LEAD SCREW (METRIC "C" MODEL 48")	£61.44
3656-23A	SPLIT NUT LEVER AND HANDLE 589 ASSEMBLED	£19.47
3656-29	APRON HANDWHEEL PINION	£63.75
3656-32	TAILSTOCK HANDWHEEL (handle 3656-587A spindle 3656-853) Use 571B	£74.64
3656-50	TAILSTOCK BASE 4.5" SWING	obsolete
3656-50A	TAILSTOCK BASE 5.0" SWING 1.270" THICK	£27.36
3656-52B	TAILSTOCK SPINDLE ENGLISH AND METRIC See 3656-52/95	£0.00
3656-52/95	TAILSTOCK SPINDLE AND NUT ASSEMBLED	£177.45
3656-54	TAILSTOCK HANDLE	£34.20
3656-69	APRON CLUTCH KNOB MACHINES PRE SEP. 1974 SERIAL NO. 34500 APPROX	£4.50
3656-69A	APRON CLUTCH KNOB MACHINES POST SEP. 1974 SERIAL NO. 34500 APPROX.	£3.15
3656-80	IDLER GEAR SHIFTER LEVER	£11.01
3656-83	TAILSTOCK BUSH	£8.04
3656-85	LEAD SCREW BRACKET REAR	£23.16
3656-93-36"	RACK 36"	obsolete
3656-93-42"	RACK 42"	obsolete
3656-93-48"	RACK 42"	obsolete
3656-102A	FRONT COVER PLATE 3 HOLE FIXING ONLY	obsolete
3656-123	CATCH PLATE	£24.78
3656-124	SLEEVE	£11.55
3656-125	TAILSTOCK CENTRE	£25.86
3656-126	HEADSTOCK CENTRE	£19.86
3656-127	AMERICAN TOOL POST BODY	£26.73
3656-187 L.H.	FELT HOLDER LEFT HAND	£3.69
3656-187 R.H.	FELT HOLDER RIGHT HAND	£3.69
3656-189	WIPER	£0.18
3656-187/9ASS	SET COMPRISING 2 OFF 187LH, 2 OFF 187RH, 4 OFF 189, 4 SCREWS	£46.44
3656-224A	GIB STRIP PIN (TOOLSLIDE)	obsolete
3656-224B	GIB STRIP PIN (CROSS SLIDE)	£0.39
3656-247	TAILSTOCK OFFSET SCREW	obsolete
3656-280E	GEAR BOX BODY (ENGLISH)	obsolete
3656-280M	GEAR BOX BODY (METRIC)	obsolete
3656-281	L.H. GEAR BOX LEVER	£90.00
3656-282M	R.H. GEAR BOX LEVER (ENGLISH AND METRIC)	£90.00
3656-308	KNOB (GEAR BOX)	£4.95
3656-313	GUIDE PLATE (ENGLISH)	£5.76
3656-326	LEAD SCREW COLLAR	£3.12
3656-392	TAILSTOCK CLAMP HANDLE	£3.18
3656-393	APRON LEVER PIN	obsolete
3656-405	HANDLE	£30.00
3656-413	GREASE LUBRICATOR	obsolete
3656-414	RIGHT ANGLED SNAP LID OILER	obsolete
3656-601B	FOOT (TAILSTOCK) UNDERNEATH DRIVE LATHES	obsolete
3656-605	HANDLE Use 4740-16-24	£5.01
3656-606	HANDLE BOSS Use 4740-16-23	£11.76
3656-607	SUPPORT PLATE Use 4740-16-29	obsolete
3656-640	CABINET	obsolete
3656-651	HEADSTOCK (MK II) 4.5"	obsolete
3656-651C	HEADSTOCK (MK II) 5.0"	£111.51



3656-652	GUARD PLATE	obsolete
3656-652A	GUARD PLATE HINGE	obsolete
3656-653	GUARD	obsolete
3656-675	SPINDLE LOCK PLUNGER	£8.64
3656-679	TOP PLATE	obsolete
3656-680A	REAR GUARD	£7.95
3656-690	GUARD SPRING	£0.78
3656-691	BUTTON	obsolete
3656-692	PART OF GUARD CATCH USED UP TO 1976	£3.00
3656-693	GUARD SWITCH BRACKET	Obsolete

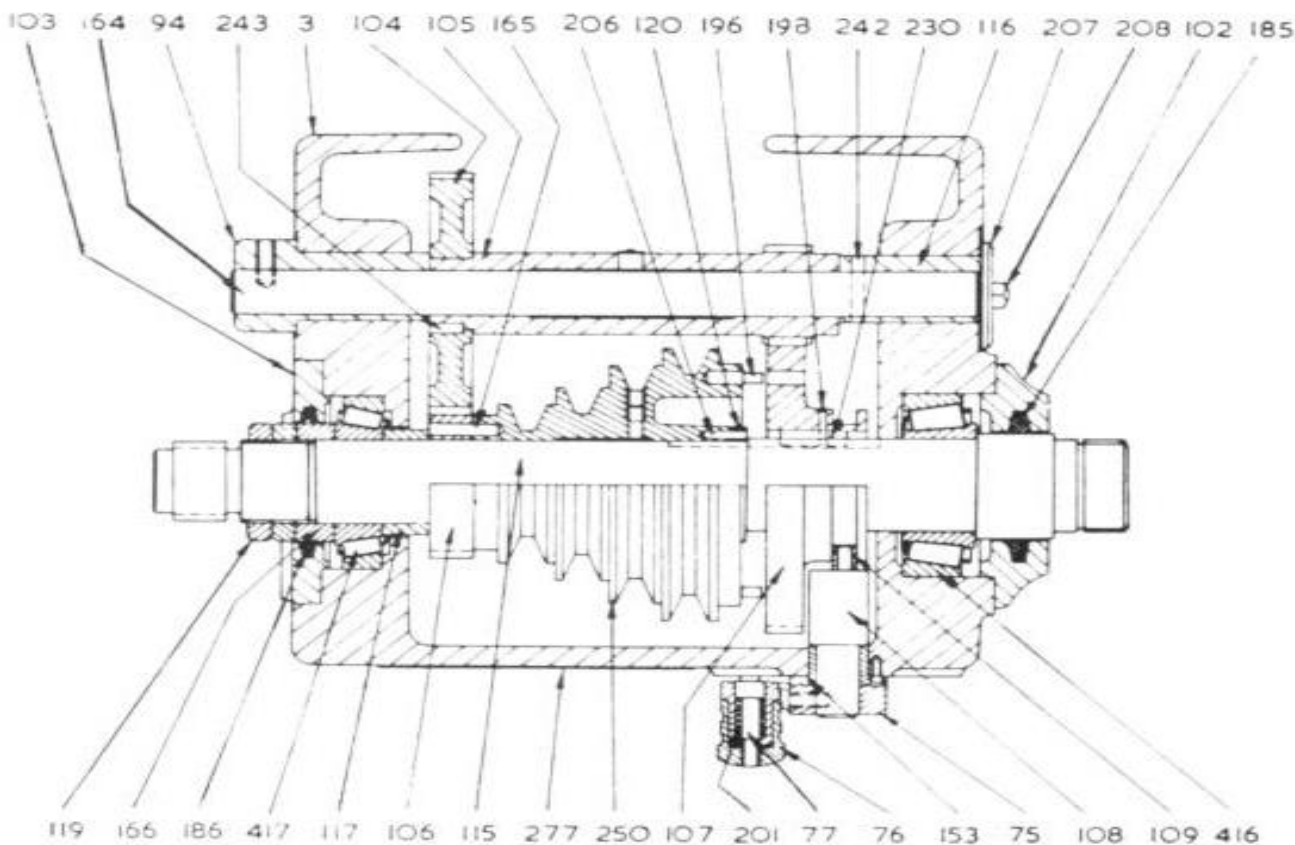


Diagram V. Headstock

NOTE: Detail 250 is replaced by 602 on Underdrive Mk. I Headstocks.

Part No's	Headstock Mk1	
3656-3	HEADSTOCK (MK 1 & BENCH LATHES) 4.5"	obsolete
3656-75	GEAR SHIFTER LEVER	£21.06
3656-76	GEAR SHIFTER KNOB	£5.70
3656-77	GEAR SHIFTER KNOB PLUNGER	£3.12
3656-94	BACK GEAR HANDLE	£26.88
3656-102A	FRONT COVER PLATE 3 HOLE FIXING ONLY	obsolete
3656-103B	REAR COVER PLATE NON SCREW TYPE ONLY	£16.92
3656-104	LARGE BACK GEAR	£9.42
3656-104/105	LARGE BACK GEAR AND SLEEVE ASSEMBLED	£115.26
3656-105	BACK GEAR SLEEVE	£60.63
3656-106	SPINDLE FIXED GEAR	£57.15
3656-107	SPINDLE SLIDING GEAR	£168.21
	NOTE : 104-105, 106, 107 ARE 20% P.A. USED ON MACHINES FROM MAY 1954 SERIAL NO. 4900 APPROX. EARLIER 14.5% P.A. ARE N/A.	
3656-108	GEAR SHIFTER ECCENTRIC	£27.15
3656-109	SHOE	£5.97
3656-115	ME10 MODEL MAIN SPINDLE	£105.18



3656-116	ECCENTRIC BUSH	£8.13
3656-117	SPACING WASHER	obsolete
3656-119	LOCKNUT Use 666	£10.41
3656-120	SPACING WASHER	£7.08
3656-153	ECCENTRIC BUSH	£11.61
3656-155	TAPER POINT GRUB SCREW	£0.90
3656-164	BACK GEAR SHAFT	£6.03
3656-165	FIXED GEAR PIN	£0.87
3656-166	SPACING WASHER	£5.07
3656-185	FELT WASHER (FRONT)	£0.54
3656-186	FELT WASHER (REAR)	£0.54
3656-196	HEADSTOCK DRIVE PIN	£2.43
3656-198	PIN (MAIN SPINDLE KEY)	£0.51
3656-201	GEAR SHIFTER SPRING	£2.91
3656-206	SPINDLE PULLEY PIN	obsolete
3656-207	BACK GEAR RETAINING PLATE	£3.51
3656-208	BACK GEAR RETAINING SCREW	£1.44
3656-230	MAIN SPINDLE KEY	£1.02
3656-242	PIN (BACK GEAR SHAFT)	£0.87
3656-243	PIN (BACK GEAR SLEEVE)	£23.28
3656-250	SPINDLE PULLEY 2 PIN BACK GEAR FIXING OLD TYPE	obsolete
3656-250A	SPINDLE PULLEY RECESSED GEAR LOCATION SCREW FIXING CURRENT TYPE	£34.50
3656-277 PL1	HEADSTOCK SPEED CHART	£3.00
3656-416	TAPER ROLLER BEARING (FRONT)	P.O.A
3656-417	TAPER ROLLER BEARING (REAR)	P.O.A

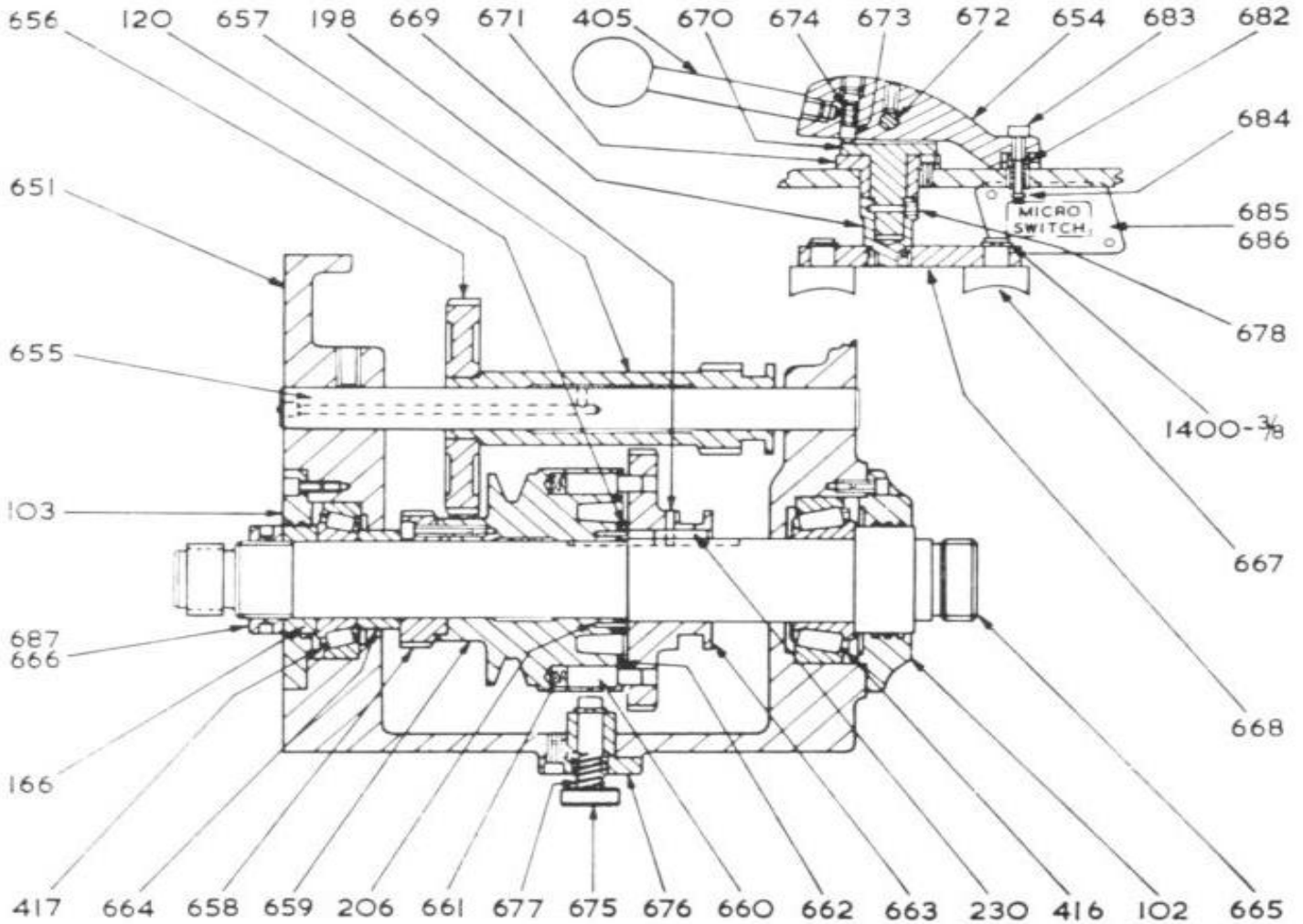


Diagram W. Headstock Mk. II



Part No's	Headstock Mk2	
1400-3/8	CIRCLIP	obsolete
3656-102A	FRONT COVER PLATE 3 HOLE FIXING ONLY	obsolete
3656-103B	REAR COVER PLATE NON SCREW TYPE ONLY	£16.92
3656-120	SPACING WASHER	£7.08
3656-166	SPACING WASHER	£5.07
3656-198	PIN (MAIN SPINDLE KEY)	£0.51
3656-206	SPINDLE PULLEY PIN	obsolete
3656-230	MAIN SPINDLE KEY	£1.02
3656-405	HANDLE	£30.00
3656-416	TAPER ROLLER BEARING (FRONT)	P.O.A
3656-417	TAPER ROLLER BEARING (REAR)	P.O.A
3656-651	HEADSTOCK (MK II) 4.5"	obsolete
3656-654	GEAR LEVER	£47.91
3656-655	BACK GEAR SHAFT	obsolete
3656-656	BACK GEAR 62T	£47.58
3656-656\7	BACK GEAR 62T AND SLEEVE 24T ASSEMBLED	£91.14
3656-657	BACK GEAR SLEEVE	£43.56
3656-658	SPINDLE GEAR 38T	£38.37
3656-659	SPINDLE PULLEY	£61.92
3656-660	DRIVE PIN	£4.29
3656-661	COMPRESSION SPRING	£1.59
3656-662	RETAINING PIECE	£0.21
3656-663	SPINDLE SLIDING GEAR 76T	£46.50
3656-664	SPACING WASHER	£2.97
3656-665	MAIN SPINDLE	£306.00
3656-666	LOCKNUT	£10.41
3656-667	SHOE (PHOS. BRONZE)	£8.46
3656-667A	SHOE (HDN. STEEL)	£7.38
3656-668	GEAR SHIFTER BAR	£15.69
3656-669	GEAR SHIFTER SPINDLE	£5.73
3656-670	GEAR SHIFTER BOSS	£34.59
3656-671	BUSH	£10.77
3656-672	PIN (PIVOT)	£1.59
3656-673	PLUNGER	£0.90
3656-674	GEAR LEVER SPRING	£4.20
3656-675	SPINDLE LOCK PLUNGER	£8.64
3656-676A	SPINDLE LOCK BUSH	£9.57
3656-677	SPINDLE LOCK SPRING	£1.41
3656-682	LOCATING BUSH	£6.96
3656-683	SWITCH LOCKING SCREW	£0.60
3656-684	SWITCH ACTUATING PIN	£2.07
3656-685A	SWITCH COVER PLATE	£1.65
3656-686	SWITCH SPACING BUSH	£1.92
3656-687	SLUG (LOCKNUT)	£0.57

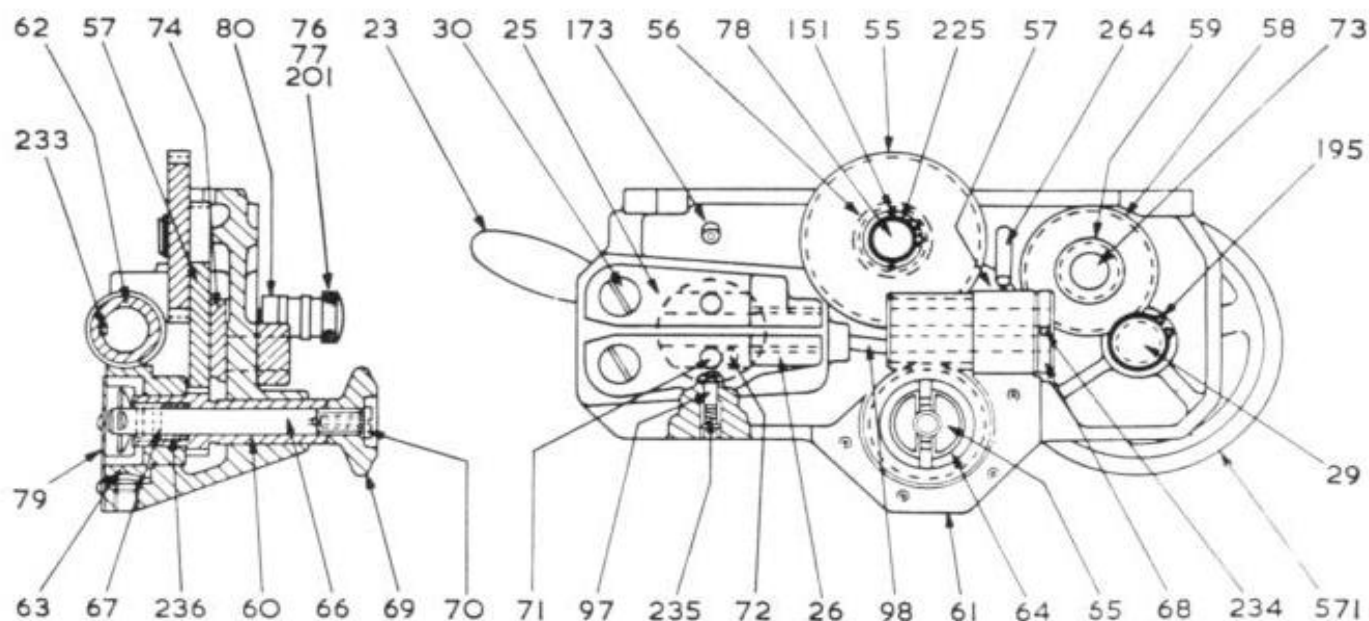
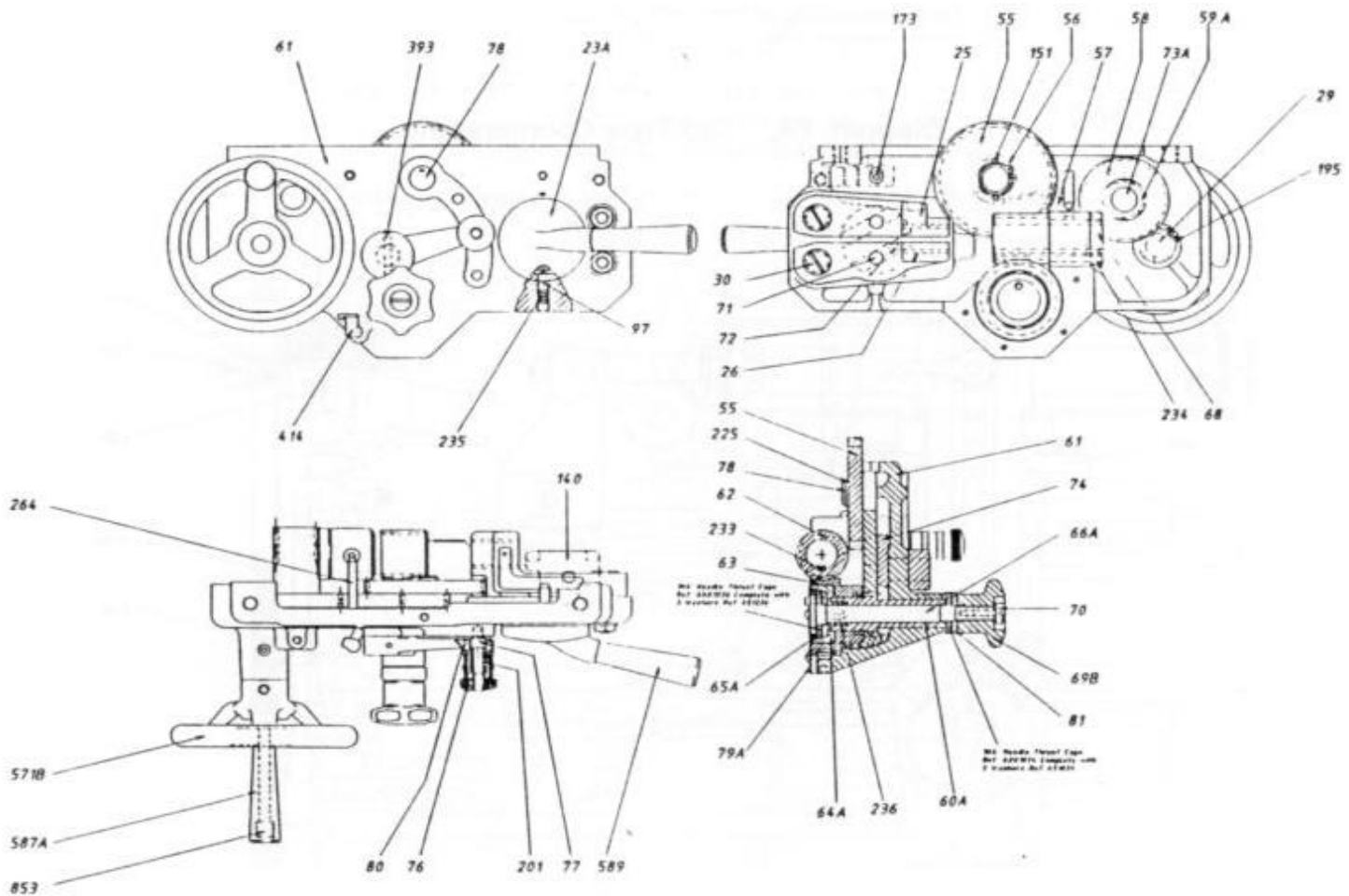


Diagram T. Automatic Apron (Models A and B) – old type

Part No's	Apron A/B (Old Version)	
3656-23A	SPLIT NUT LEVER AND HANDLE 589 ASSEMBLED	£19.47
3656-25\26ENG	SPLIT NUT TOP & BOTTOM HALF ASSEMBLED WITH 2 PINS 71 (ENGLISH)	£96.15
3656-25\26MET	SPLIT NUT TOP & BOTTOM HALF ASSEMBLED WITH 2 PINS 71 (METRIC)	£76.65
3656-29	APRON HANDWHEEL PINION	£63.75
3656-30	HALF NUT PIVOT	£5.58
3656-55	APRON CROSS FEED GEAR 57T	£20.07
3656-55\56	APRON CROSS FEED GEAR 57T/22T ASSEMBLED	£34.17
3656-56	APRON CROSS FEED GEAR 22T	£9.75
3656-57	APRON IDLER GEAR	£11.07
3656-58	RACK PINION GEAR	£61.95
3656-58\59\AB	APRON RACK PINION AND GEAR ASSEMBLED "A" OR "B" MODELS	obsolete
3656-58\59\C	APRON RACK PINION AND GEAR ASSEMBLED "C" MODEL	£32.88
3656-59A/B	APRON RACK PINION "A" OR "B" MODELS	obsolete
3656-59C	APRON RACK PINION "C" MODEL	£17.28
3656-60	APRON FEED PINION PRE SEP. 1974	£17.73
3656-60A	APRON FEED PINION POST SEP. 1974	£18.69
3656-61	APRON ("A" AND "B" MODELS)	£138.66
3656-62	WORM	£84.87
3656-63	WORM WHEEL	£58.44
3656-64	APRON CLUTCH DISC (PAIR) MACHINES PRE SEP. 1974 SERIAL NO. 34500 APPROX.	£6.00
3656-64A	APRON CLUTCH DISC (PAIR) MACHINES POST SEP. 1974 SERIAL NO. 34500 APPROX.	£11.16
3656-65	APRON CLUTCH DISC (INNER PAIR) M/CS PRE SEP. 1974 SERIAL NO. 34500 APPROX	£2.70
3656-65A	APRON CLUTCH DISC (INNER) MACHINES POST SEP. 1974 SERIAL NO. 34500 APPROX.	£2.70
3656-66	APRON CLUTCH SCREW MACHINES PRE SEP. 1974 SERIAL NO. 34500 APPROX.	£9.00
3656-66A	APRON CLUTCH SCREW MACHINES POST SEP. 1974 SERIAL NO. 34500 APPROX.	£16.74
3656-67	APRON CLUTCH SCREW PIN	£0.00
3656-68	WORM LOCKNUT	£3.33
3656-69	APRON CLUTCH KNOB MACHINES PRE SEP. 1974 SERIAL NO. 34500 APPROX.	£4.50
3656-69A	APRON CLUTCH KNOB MACHINES POST SEP. 1974 SERIAL NO. 34500 APPROX.	£3.15
3656-70	RETAINING SCREW L. H.	£6.00
3656-71	SPLIT NUT PIN	£0.90
3656-72	SPLIT NUT LEVER PIN	£0.90
3656-73A	RACK PINION STUD "A" OR "B" MODELS	£4.86
3656-73C	RACK PINION STUD "C" MODEL	£7.50
3656-74	IDLER GEAR SHIFTER	£14.76



3656-75	GEAR SHIFTER LEVER	£21.06
3656-76	GEAR SHIFTER KNOB	£5.70
3656-77	GEAR SHIFTER KNOB PLUNGER	£3.12
3656-78	AUTO CROSS FEED STUD	£4.08
3656-79A	APRON WORM COVER	£0.69
3656-80	IDLER GEAR SHIFTER LEVER	£11.01
3656-97	RETAINING PIN	£1.53
3656-98	STOP PIN	£1.56
3656-151	PIN (COMPOUND GEARS)	£1.14
3656-173	OIL FEED TUBE	£0.33
3656-195	GEAR RETAINING SPRING	obsolete
3656-201	GEAR SHIFTER SPRING	£2.91
3656-225	CROSS FEED STUD SPRING (CIRCLIP)	obsolete
3656-233	WORM KEY	£0.90
3656-234	WORM LOCKNUT PIN	£0.60
3656-235	COMPRESSION SPRING SPLIT NUT LEVER	£2.40
3656-236	COMPRESSION SPRING CLUTCH	£0.66
3656-264	OIL FEED TUBE	£0.42
3656-571B	4.5" HANDWHEEL WITH GRIP 587A AND STUD 853	£74.64



A & B Model Apron Assembly

Diagram TA.

Part No's	Apron A/B	
3656-23A	SPLIT NUT LEVER AND HANDLE 589 ASSEMBLED	£19.47
3656-25/26-E	SPLIT NUT TOP & BOTTOM HALF ASSEMBLED WITH 2 PINS 71 (ENGLISH)	£96.15
3656-25/26-M	SPLIT NUT TOP & BOTTOM HALF ASSEMBLED WITH 2 PINS 71 (METRIC)	£76.65



3656-29	APRON HANDWHEEL PINION	£63.75
3656-30	HALF NUT PIVOT	£5.58
3656-55	APRON CROSS FEED GEAR 57T	£20.07
3656-56\56	APRON CROSS FEED GEAR 57T/22T ASSEMBLED	£34.17
3656-56	APRON CROSS FEED GEAR 22T	£9.75
3656-57	APRON IDLER GEAR	£11.07
3656-58	RACK PINION GEAR	£61.95
3656-58\59B	APRON RACK PINION AND GEAR ASSEMBLED "A" OR "B" MODELS	obsolete
3656-59A\B	APRON RACK PINION "A" OR "B" MODELS	obsolete
3656-60A	APRON FEED PINION POST SEP. 1974	£18.69
3656-61	APRON ("A" AND "B" MODELS)	£138.66
3656-62	WORM	£84.87
3656-63	WORM WHEEL	£58.44
3656-64A	APRON CLUTCH DISC (PAIR) MACHINES POST SEP. 1974 SERIAL NO. 34500 APPROX.	£11.16
3656-65A	APRON CLUTCH DISC (INNER) MACHINES POST SEP. 1974 SERIAL NO. 34500 APPROX.	£2.70
3656-66A	APRON CLUTCH SCREW MACHINES POST SEP. 1974 SERIAL NO. 34500 APPROX.	£16.74
3656-68	WORM LOCKNUT	£3.33
3656-69B	APRON CLUTCH KNOB MACHINES POST SEP. 1974 SERIAL NO. 34500 APPROX.	£3.15
3656-70	RETAINING SCREW L. H.	£6.00
3656-71	SPLIT NUT PIN	£0.90
3656-72	SPLIT NUT LEVER PIN	£0.90
3656-73A	RACK PINION STUD "A" OR "B" MODELS	£4.86
3656-74	IDLER GEAR SHIFTER	£14.76
3656-76	GEAR SHIFTER KNOB	£5.70
3656-77	GEAR SHIFTER KNOB PLUNGER	£3.12
3656-78	AUTO CROSS FEED STUD	£4.08
3656-79A	APRON WORM COVER	£0.69
3656-80	IDLER GEAR SHIFTER LEVER	£11.01
3656-81	BEARING COVER	£5.58
3656-97	RETAINING PIN	£1.53
3656-140	SADDLE CLAMP	£6.48
3656-151	PIN (COMPOUND GEARS)	£1.14
3656-173	OIL FEED TUBE	£0.33
3656-195	GEAR RETAINING SPRING	obsolete
3656-201	GEAR SHIFTER SPRING	£2.91
3656-225	CROSS FEED STUD SPRING (CIRCLIP)	obsolete
3656-233	WORM KEY	£1.14
3656-234	WORM LOCKNUT PIN	£0.60
3656-235	COMPRESSION SPRING SPLIT NUT LEVER	£2.40
3656-236	COMPRESSION SPRING CLUTCH	£0.66
3656-264	OIL FEED TUBE	£0.42
3656-393	APRON LEVER PIN	£31.50
3656-414	RIGHT ANGLED SNAP LID OILER	obsolete
3656-571B	4.5" HANDWHEEL WITH GRIP 587A AND STUD 853	£74.64
3656-587A	HANDLE	£2.19
3656-589	SPLIT NUT LEVER HANDLE	£2.37
3656-853	HANDGRIP SPINDLE	£4.98

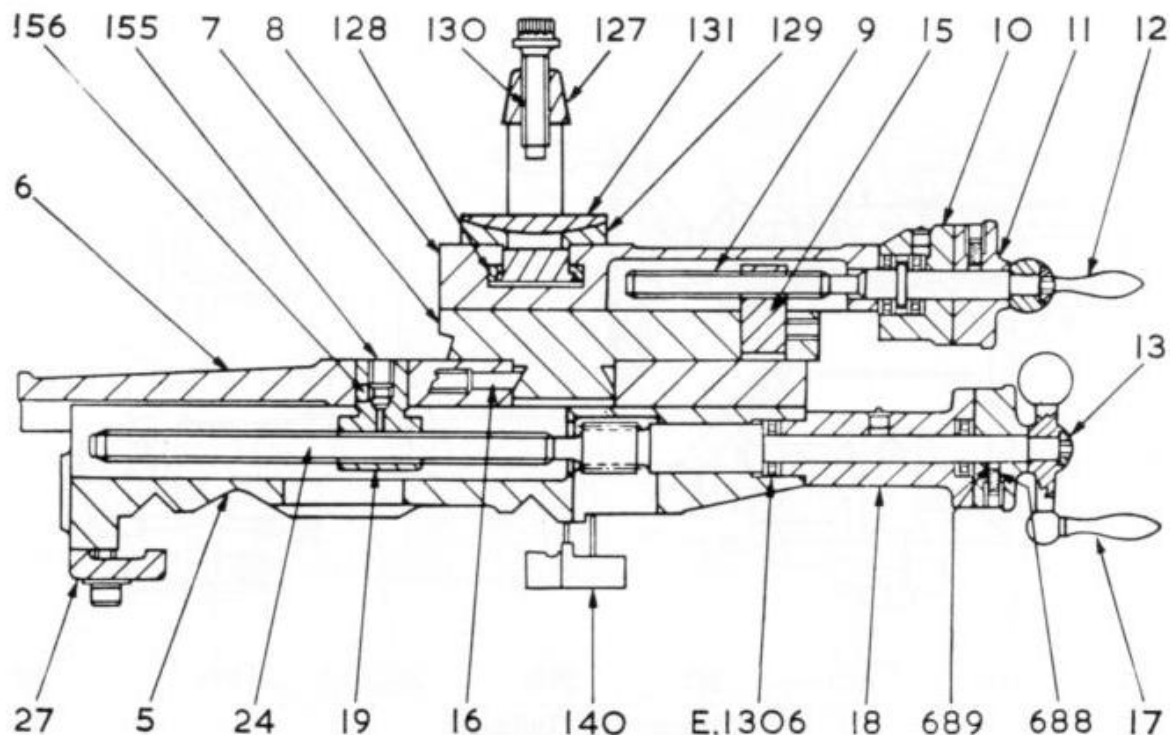


Diagram S. Saddle and Compound Rest

Part No's	Saddle & Compound	
3656-5A	SADDLE	£99.78
3656-6A	CROSS SLIDE (TEE SLOTTED)	£92.67
3656-7	COMPOUND REST SLIDE 4.5"	£42.96
3656-7A	COMPOUND REST SLIDE 5.0"	£42.96
3656-8A	TOOLSLIDE	£33.87
3656-9E	COMPOUND REST LEAD SCREW (ENGLISH)	£11.07
	1 5/8" DIAL FROM OCT. 1963 SERIAL NO. 12600 APPROX	
3656-9E/SB	COMPOUND REST LEAD SCREW (ENGLISH)	obsolete
	1 1/32" DIAL TO APR. 1951 SERIAL NO. 2500 APPROX	
3656-9E/OT	COMPOUND REST LEAD SCREW (ENGLISH)	£13.26
	1 1/2" DIAL FROM APR. 1951 SERIAL NO. 2500 TO OCT. 1963 SERIAL NO. 12600	
3656-9M	COMPOUND REST LEAD SCREW (METRIC)	£53.70
	1 5/8" DIAL FROM OCT. 1963 SERIAL NO. 12600 APPROX	
3656-9M/SB	COMPOUND REST LEAD SCREW (METRIC)	obsolete
	1 1/32" DIAL TO APR. 1951 SERIAL NO. 2500 APPROX	
3656-9M/OT	COMPOUND REST LEAD SCREW (METRIC)	£13.26
	1 1/2" DIAL FROM APR. 1951 SERIAL NO. 2500 TO OCT. 1963 SERIAL NO. 12600	
3656-10	TOOLSLIDE BUSH 1 5/8" DIAL FROM OCT. 1963 SERIAL NO. 12600 APPROX	£13.83
3656-10/SB	TOOLSLIDE BUSH 1 1/32" DIAL TO APR. 1951 SERIAL NO. 2500 APPROX	obsolete
3656-10/OT	TOOLSLIDE BUSH 1 1/2" DIAL FROM APR. 1951	obsolete
	SERIAL NO. 2500 TO OCT. 1963 SERIAL NO. 12600 APPROX	
3656-11E	DIAL (ENGLISH) 1 5/8" DIAL FROM OCT. 1963 SERIAL NO. 12600 APPROX	£22.50
3656-11E/SB	DIAL (ENGLISH) 1 1/32" DIAL TO APR. 1951 SERIAL NO. 2500 APPROX	obsolete
3656-11E/OT	DIAL (ENGLISH) 1 1/2" DIAL FROM APR. 1951	obsolete
	SERIAL NO. 2500 TO OCT. 1963 SERIAL NO. 12600 APPROX	
3656-11ED	DIAL (ENGLISH-DIRECT READING)	obsolete
3656-11M	DIAL (METRIC) 1 5/8" DIAL FROM OCT. 1963 SERIAL NO. 12600 APPROX	£121.53
3656-11M/SB	DIAL (METRIC) 1 1/32" DIAL TO APR. 1951 SERIAL NO. 2500 APPROX	obsolete
3656-11M/OT	DIAL (METRIC) 1 1/2" DIAL FROM APR. 1951	obsolete
	SERIAL NO. 2500 TO OCT. 1963 SERIAL NO. 12600 APPROX	
3656-11MD	DIAL (METRIC-DIRECT READING)	£30.00
3656-11VE	DIAL (MILLING ATTACHMENT-ENGLISH)	£14.61



3656-11VM	DIAL (MILLING ATTACHMENT-METRIC)	£14.61
3656-12/588	TOOL SLIDE HANDLE AND GRIP 588 ASSEMBLED	£36.81
3656-13	LOCKNUT	£3.12
3656-15E	TOOL SLIDE NUT (ENGLISH)	£15.66
3656-15M	TOOL SLIDE NUT (METRIC)	£8.31
3656-15ABLE	TOOL SLIDE NUT ANTI BACKLASH (ENGLISH)	£12.84
3656-15ABLM	TOOL SLIDE NUT ANTI BACK LASH (METRIC)	£12.84
3656-16	CLAMP SLUG	£1.44
3656-17	CROSS SLIDE HANDLE AND GRIP 588 ASSEMBLED Use 3656-12/588	£36.81
3656-18	CROSS SLIDE BUSH 1 5/8" DIAL FROM OCT. 1963 SERIAL NO. 12600 APPROX	£67.50
3656-18/SB	CROSS SLIDE BUSH 1 1/32" DIAL TO APR. 1951 SERIAL NO. 2500 APPROX	obsolete
3656-18/OT	CROSS SLIDE BUSH 1 1/2" DIAL FROM APR. 1951 SERIAL NO. 2500 TO OCT. 1963 SERIAL NO. 12600 APPROX	obsolete
3656-18-2"	CROSS SLIDE BUSH VSL MODEL	obsolete
3656-19E	CROSS SLIDE NUT (ENGLISH)	£55.89
3656-19M	CROSS SLIDE NUT (METRIC)	£55.20
3656-24E	CROSS SLIDE LEAD SCREW (ENGLISH) 1 5/8" DIAL FROM OCT. 1963 SERIAL NO. 12600 APPROX	£84.03
3656-24E/SB	CROSS SLIDE LEAD SCREW (ENGLISH) 1 1/32" DIAL TO APR. 1951 SERIAL NO. 2500 APPROX	£42.00
3656-24E/OT	CROSS SLIDE LEAD SCREW (ENGLISH) 1 1/2" DIAL FROM APR. 1951 SERIAL NO. 2500 TO OCT. 1963 SERIAL NO. 12600	£42.00
3656-24M	CROSS SLIDE LEAD SCREW (METRIC) 1 5/8" DIAL FROM OCT. 1963 SERIAL NO. 12600 APPROX	£84.03
3656-24M/SB	CROSS SLIDE LEAD SCREW (METRIC) 1 1/32" DIAL TO APR. 1951 SERIAL NO. 2500 APPROX	£42.00
3656-24M/OT	CROSS SLIDE LEAD SCREW (METRIC) 1 1/2" DIAL FROM APR. 1951 SERIAL NO. 2500 TO OCT. 1963 SERIAL NO. 12600	£42.00
3656-27	SADDLE GIB STRIP VSL MODEL	£12.15
3656-27S	SADDLE GIB STRIP WHEN SADDLE LIMIT SWITCH FITTED	£13.26
3656-27VSL	SADDLE GIB STRIP VSL MODEL	£13.26
3656-127	AMERICAN TOOL POST BODY	£26.73
3656-128	AMERICAN TOOL POST BLOCK	£16.68
3656-129	AMERICAN TOOL POST RING	£37.50
3656-130	AMERICAN TOOL POST SCREW	
3656-131A	AMERICAN TOOL POST WEDGE	£37.59
3656-140	SADDLE CLAMP	£6.48
3656-155	TAPER POINT GRUB SCREW	obsolete
3656-156	CLAMP SLUG	£2.16
3656-688	SLUG (DIAL)	£0.75
3656-689	SPRING (DIAL)	£1.50
BR-E1306	TOP & CROSS SLIDE THRUST (4 sets PER M/C) (price per set)	£13.29

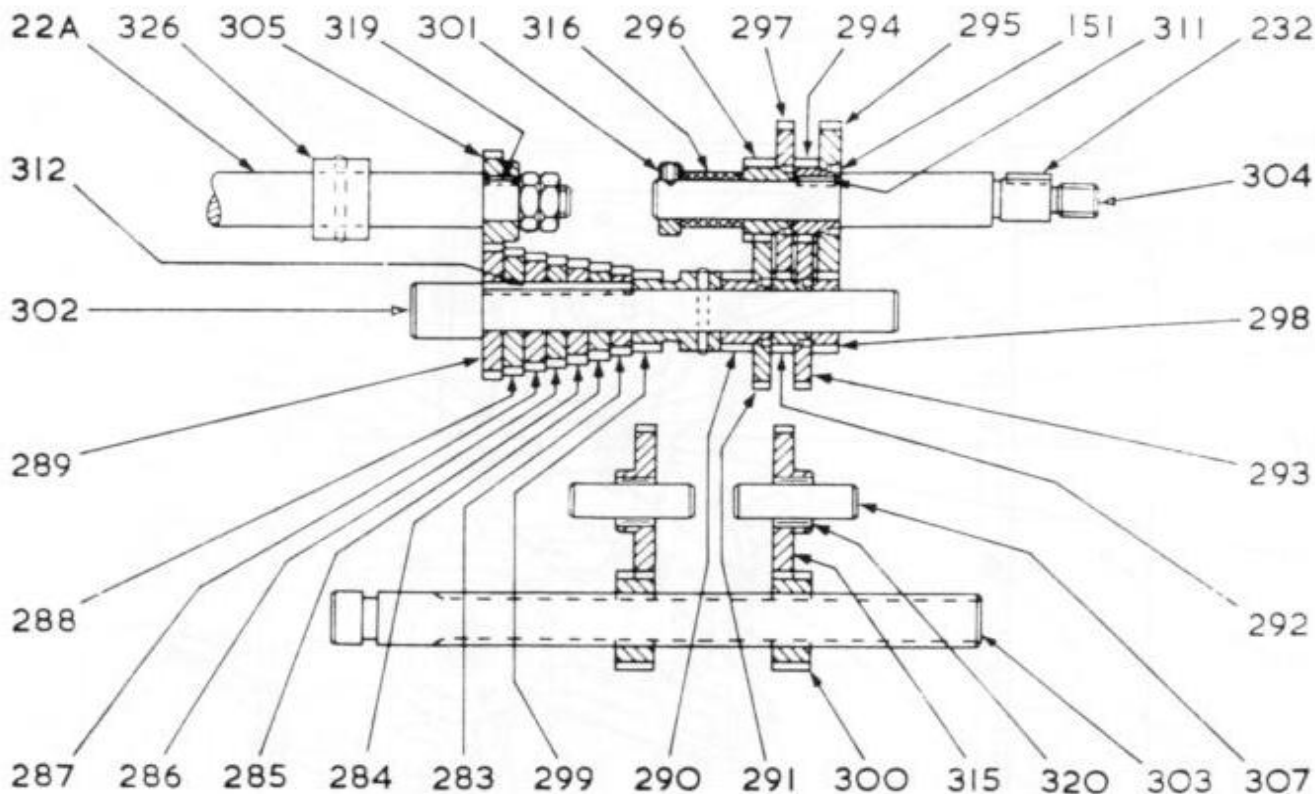


Diagram Q. Gearbox (English)

Part No's	Gearbox Imperial	
3656-151	PIN (COMPOUND GEARS)	£1.14
3656-232	LEAD SCREW KEY	£0.90
3656-283	GEAR 18T	£9.48
3656-284	GEAR 20T	£11.01
3656-285	GEAR 22T	£9.24
3656-286	GEAR 23T	£9.72
3656-287	GEAR 24T	£9.69
3656-288	GEAR 26T	£10.50
3656-289	GEAR 28T	£9.96
3656-290	GEAR 16T 0.687" THICK PLAIN BORE	£34.20
3656-290-291	GEARS 290 AND 291 ASSEMBLED	£65.70
3656-291	GEAR 32T 0.250" THICK	£31.50
3656-292	GEAR 16T 0.531" THICK PLAIN BORE	£50.07
3656-292-293	GEARS 292 AND 291 ASSEMBLED	£81.57
3656-293	GEAR 32T 0.250" THICK Use 291	£31.50
3656-294	GEAR 16T 0.641" THICK KEYWAY BORE	£7.08
3656-294-295	GEARS 294 AND 295 ASSEMBLED	£23.82
3656-295	GEAR 32T 0.312" THICK	£6.93
3656-295-698	GEARS 295 AND 698 ASSEMBLED	£25.08
3656-296	GEAR 16T 0.687" THICK Use 290	£34.20
3656-297	GEAR 32T 0.25" THICK Use 291	£31.50
3656-298	GEAR 16T IDLER	£6.27
3656-299	GEAR 16T	£10.44
3656-300	LEVER GEAR 20T	£8.04
3656-301	COLLAR	£3.93
3656-302A	INTERMEDIATE SHAFT	£26.88
3656-303	GEAR LEVER SHAFT	£25.83
3656-304	GEARBOX INPUT SHAFT	£19.23
3656-305	LEAD SCREW GEAR	£7.95
3656-307	PIN (GEAR BOX)	£1.59
3656-311	KEY (INPUT SHAFT)	£0.90



3656-312	KEY (INTER SHAFT)	£0.90
3656-315	LEVER GEAR 32T	£13.77
3656-315/320	LEVER GEAR 32T COMPLETE WITH NEEDLE BEARING 320	£21.18
3656-316	BUSH CT-11X1" OILITE BUSH	£2.88
3656-319	LEAD SCREW KEY	£0.90
3656-320	NEEDLE BEARING B88	£7.41

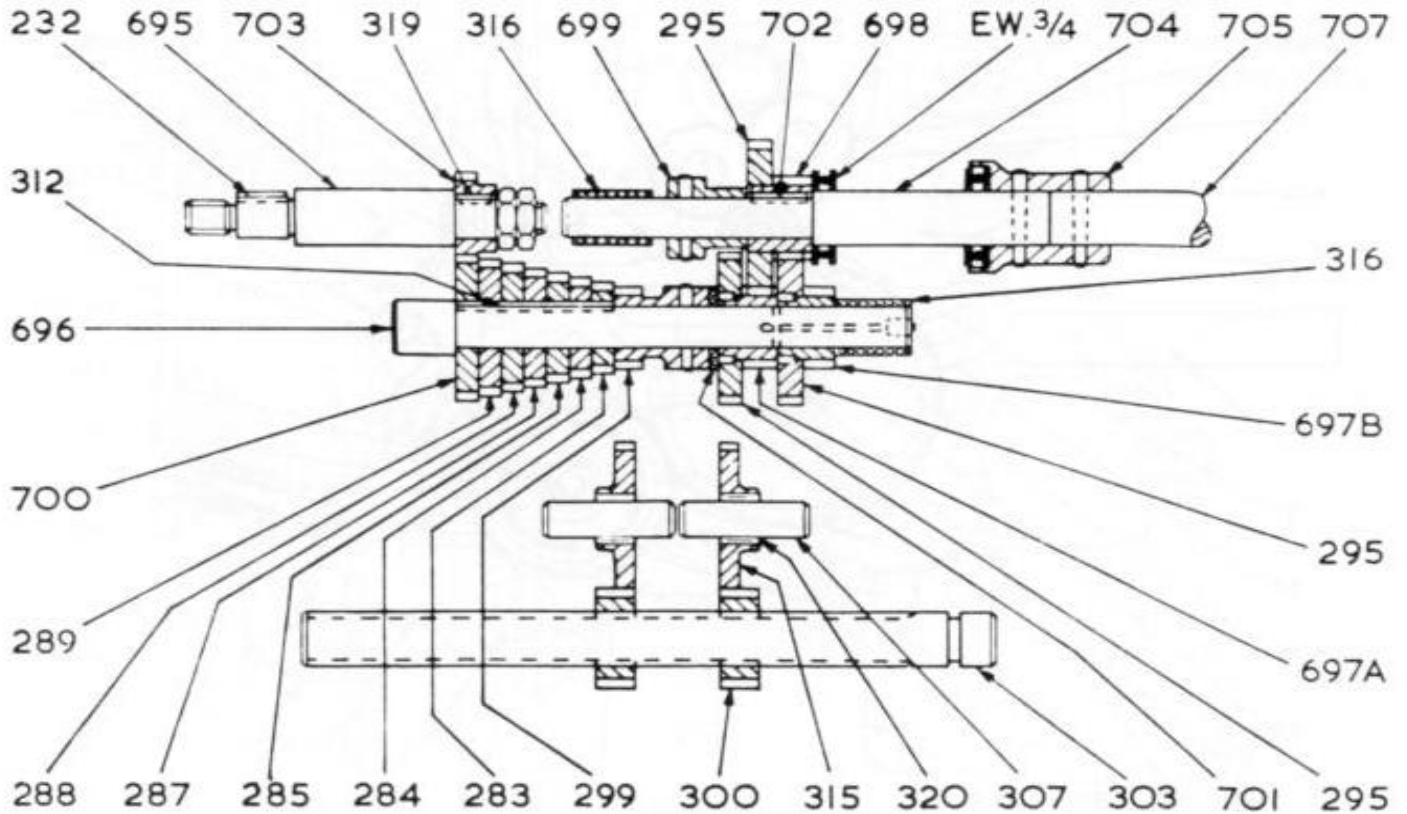


Diagram P. Gearbox (Metric)

Part No's	Gearbox Metric	
3656-232	LEAD SCREW KEY	£0.90
3656-283	GEAR 18T	£9.48
3656-284	GEAR 20T	£11.01
3656-285	GEAR 22T	£9.24
3656-286	GEAR 23T	£9.72
3656-287	GEAR 24T	£9.69
3656-288	GEAR 26T	£10.50
3656-289	GEAR 28T	£9.96
3656-295	GEAR 32T 0.312" THICK	£6.93
3656-295-698	GEARS 295 AND 698 ASSEMBLED	£25.08
3656-299	GEAR 16T	£10.44
3656-300	LEVER GEAR 20T	£8.04
3656-303	GEAR LEVER SHAFT	£25.83
3656-307	PIN (GEAR BOX)	£1.59
3656-312	KEY (INTER SHAFT)	£0.90
3656-315	LEVER GEAR 32T	£13.77
3656-315\20	LEVER GEAR 32T COMPLETE WITH NEEDLE BEARING 320	£21.18
3656-316	BUSH CT-11X1" OILITE BUSH	£2.88
3656-319	LEAD SCREW KEY	£0.90
3656-320	NEEDLE BEARING B88	£7.41
3656-695	INPUT SHAFT	£22.32



3656-696	INTER SHAFT	£28.53
3656-697A/B	INTER SHAFT PINION 16T	£11.43
3656-698	OUTER SHAFT PINION 16/32T	£11.43
3656-699	COLLAR	£7.17
3656-701	THRUST WASHER	£3.72
3656-702	KEY	£0.00
3656-703	GEAR 18T	£11.16
3656-704	OUTPUT SHAFT	£18.75
3656-705	COUPLING	£15.24
3656-707-36"	METRIC LEAD SCREW (36") "A" MODEL	obsolete
3656-707-42"	METRIC LEAD SCREW (42") "A" MODEL	£51.75
3656-707-48"	METRIC LEAD SCREW (48") "A" MODEL	obsolete
BR-B88	NEEDLE BEARING B88	£7.41

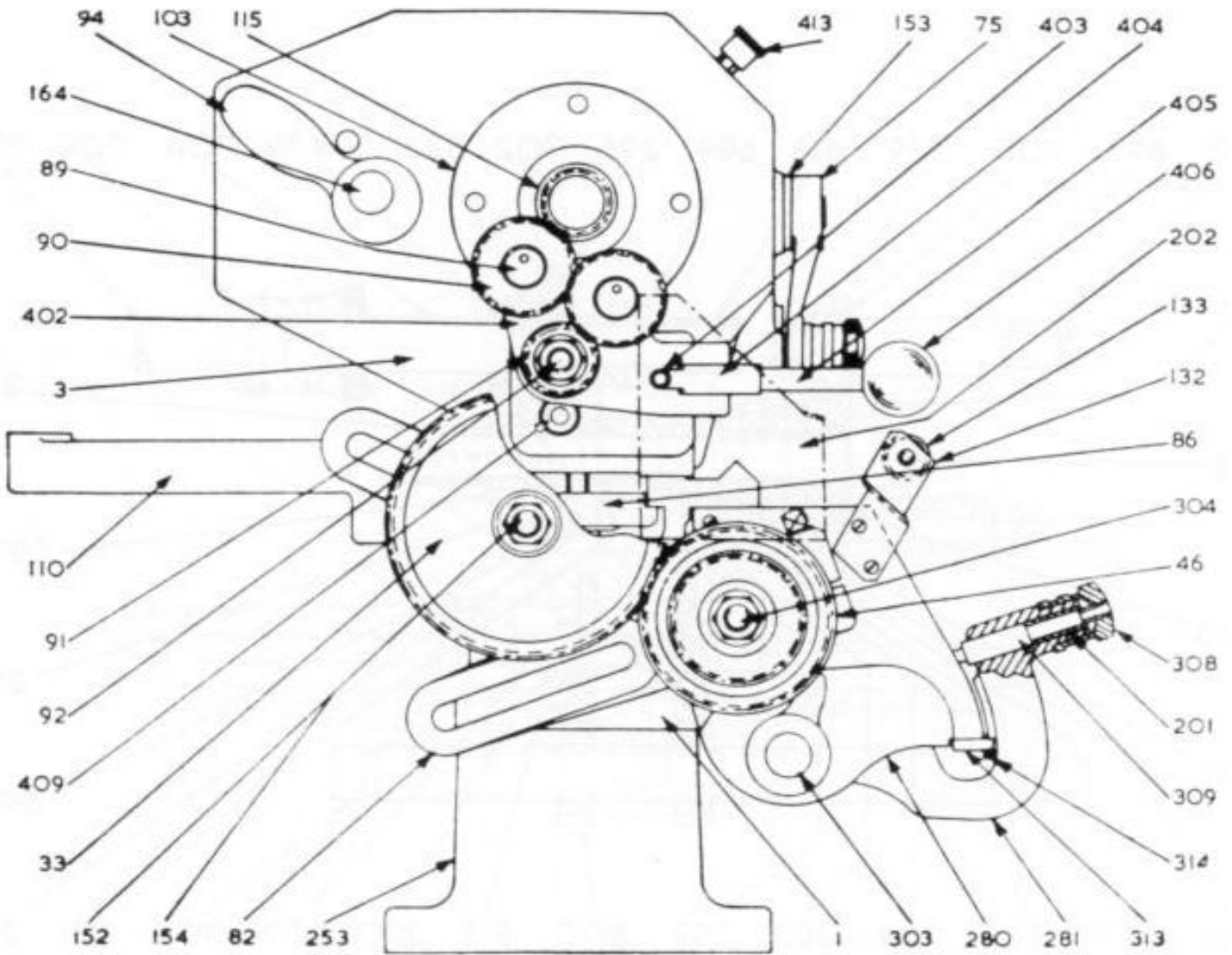


Diagram N. Gearing (Mk. I and Bench)

Part No's	Gearing, Mk1 & Bench Models	
3656-1	BED 36", 42", 48"	obsolete
3656-3	HEADSTOCK (MK 1 & BENCH LATHES) 4.5"	obsolete
3656-33	IDLER GEAR 80T	£97.68
3656-33ASS	IDLER GEAR 80T ASSEMBLED INCL. BUSH 154 AND STUD 152	£130.95



3656-46	CHANGE GEAR 56T	£45.39
3656-75	GEAR SHIFTER LEVER	£21.06
3656-82A	CHANGE GEAR QUADRANT	£46.14
3656-86	HEADSTOCK CLAMP	£8.04
3656-89	REVERSE GEAR STUD	£5.49
3656-90	REVERSE GEAR (STEEL-14.5%P.A.)	£11.46
3656-90T	REVERSE GEAR (FIBRE-14.5%P.A.)	£20.04
3656-91	REVERSE GEAR FOLLOWER (14.5%P.A.)	£9.66
3656-92	STUD GEAR SPINDLE	£9.78
3656-94	BACK GEAR HANDLE	£26.88
3656-103B	REAR COVER PLATE NON SCREW TYPE ONLY	£16.92
3656-110	COVER BRACKET	£5.58
3656-115	ME10 MODEL MAIN SPINDLE	£105.18
3656-132	GUARD FASTENING PIECE	obsolete
3656-133	GUARD THUMB SCREW	£1.47
3656-152	BOLT	£16.26
3656-153	ECCENTRIC BUSH	£11.61
3656-154	CHANGE GEAR BUSH	£17.01
3656-164	BACK GEAR SHAFT	£6.03
3656-201	GEAR SHIFTER SPRING	£2.91
3656-202	GUARD PIECE ("A" MODEL)	obsolete
3656-252	HEADSTOCK FOOT	obsolete
3656-253	TAILSTOCK FOOT	obsolete
3656-280E	GEAR BOX BODY (ENGLISH)	obsolete
3656-280M	GEAR BOX BODY (METRIC)	obsolete
3656-281	L.H. GEAR BOX LEVER	£90.00
3656-303	GEAR LEVER SHAFT	£25.83
3656-308	KNOB (GEAR BOX)	£4.95
3656-309	PLUNGER (GEAR BOX)	£4.14
3656-313	GUIDE PLATE (ENGLISH)	£5.76
3656-314	PIN (GUIDE PLATE)	£0.60
3656-402	REVERSE GEAR BRACKET	£31.53
3656-403	PLUNGER	£4.95
3656-404	FINGER	£7.38
3656-405	HANDLE	£30.00
3656-406	KNOB 1 1/4" DIA. X 3/8W	£3.99
3656-409A	RETAINING PIECE	£4.71
3656-413	GREASE LUBRICATOR	obsolete

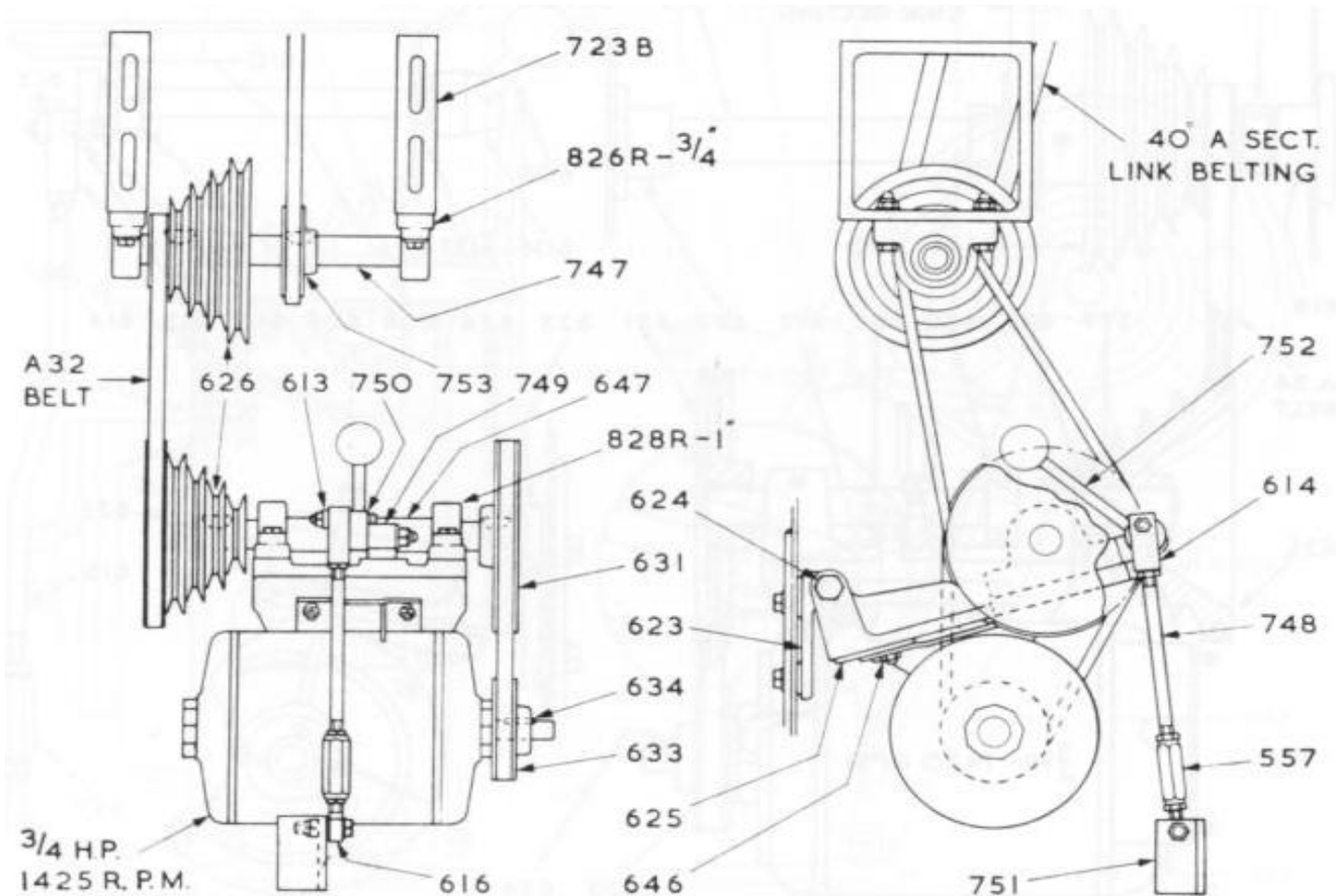


Diagram L. Standard Underneath Drive (1966 onwards)

Part No's	Standard Underneath Drive 1966 Onwards	
3656-557	TENSION NUT	£13.14
3656-613	PIVOT BUSH	£3.09
3656-614	SHIFTER	£7.95
3656-616	EYE BOLT 0.375" HOLE Use 3656-616A	£9.24
3656-616A	EYE BOLT 10MM. HOLE	£9.24
3656-623A	PIVOT BRACKET	£6.78
3656-624A	PIVOT SCREW	obsolete
3656-625A	MOTOR PLATFORM	obsolete
3656-626	COUNTERSHAFT PULLEY 0.875" BORE	£60.00
3656-626-1	COUNTERSHAFT PULLEY 1.0" BORE	£65.25
3656-631	6" PULLEY (STATE BORE SIZE)	£24.87
3656-633	3" PULLEY	£30.45
3656-634	MOTOR KEY	£0.90
3656-646A	MOTOR FIXING NUTS	£7.74
3656-647	COUNTERSHAFT SPINDLE	£43.53
3656-723B	HANGER	obsolete
3656-747	INTERMEDIATE SHAFT	£42.36
3656-748A	TIE ROD	£3.48
3656-749A	PIVOT BLOCK	£17.10
3656-750	ECCENTRIC	obsolete
3656-751	BRACKET	obsolete
3656-752	HANDLE	£2.88
3656-753	2.625" PULLEY (1") (3.0" O/D)	obsolete
BR-826R	3/4" PICADOR 826R UPPER SHAFT U/D LATHES	£21.00
BL-A32	A32 (A850) V Belt	£6.03
B-LINK1/2	40%A sect.x1/2" link belt 4.25 ft	£59.04

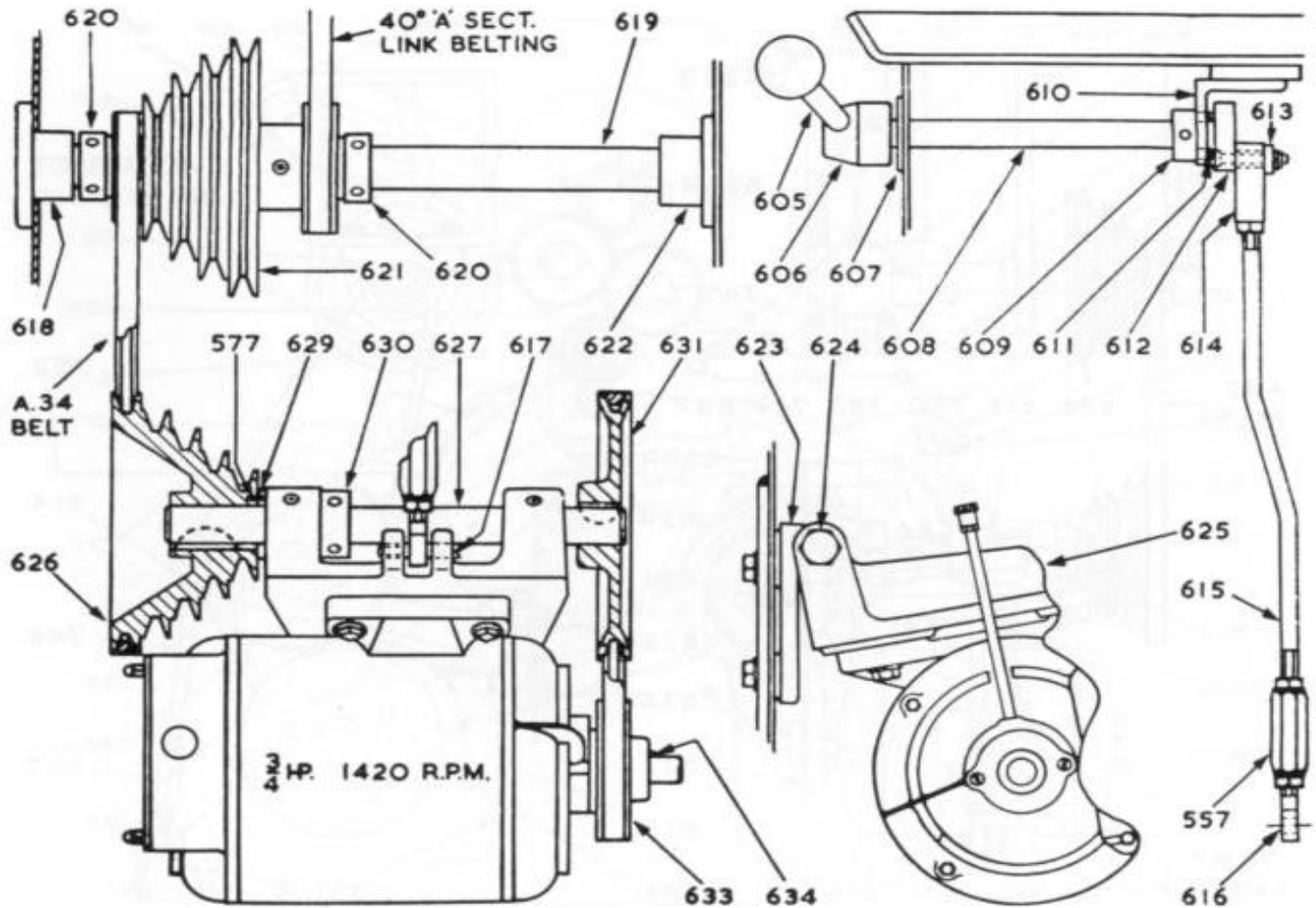


Diagram K. Countershaft—Underdrive

Part No's	Countershaft Underdrive From Oct 1962 to 1966	
3656-557	TENSION NUT	£13.14
3656-608	RELEASE SHAFT	obsolete
3656-609	COLLAR Use 4740-16-22	£4.77
3656-610	ANGLE BRACKET	£3.00
3656-611	STOP PIN Use 4740-16-18	£0.48
3656-612	ECCENTRIC Use 4740-16-20	£11.91
3656-613	PIVOT BUSH	£3.09
3656-614	SHIFTER	£7.95
3656-615	TIE ROD	obsolete
3656-616	EYE BOLT 0.375" HOLE Use 616A	£9.24
3656-616A	EYE BOLT 10MM. HOLE	£9.24
3656-617	SCREW PIN Use 4740-16-13	obsolete
3656-618	LARGE BUSH OLD U/DRIVE INTERSHAFT	obsolete
3656-619	INTERMEDIATE SHAFT OLD U/DRIVE INTERSHAFT	obsolete
3656-620	COLLAR (1") OLD U/DRIVE INTERSHAFT	obsolete
3656-621	INTERMEDIATE PULLEY OLD U/DRIVE INTERSHAFT	obsolete
3656-622	SMALL BUSH OLD U/DRIVE INTERSHAFT	obsolete
3656-623A	PIVOT BRACKET	£6.78
3656-624A	PIVOT SCREW	obsolete
3656-625A	MOTOR PLATFORM	obsolete
3656-626	COUNTERSHAFT PULLEY 0.875" BORE	£60.00
3656-631	6" PULLEY (STATE BORE SIZE)	£24.87
3656-633	3" PULLEY	£30.45
3656-634	MOTOR KEY	£0.90
3656-646A	MOTOR FIXING NUTS	£7.74
BL-A32	A32 (A850) V Belt	£6.03
BL-LINK-1/2	40%A sect.x1/2" link belt 4.25 ft	£59.04

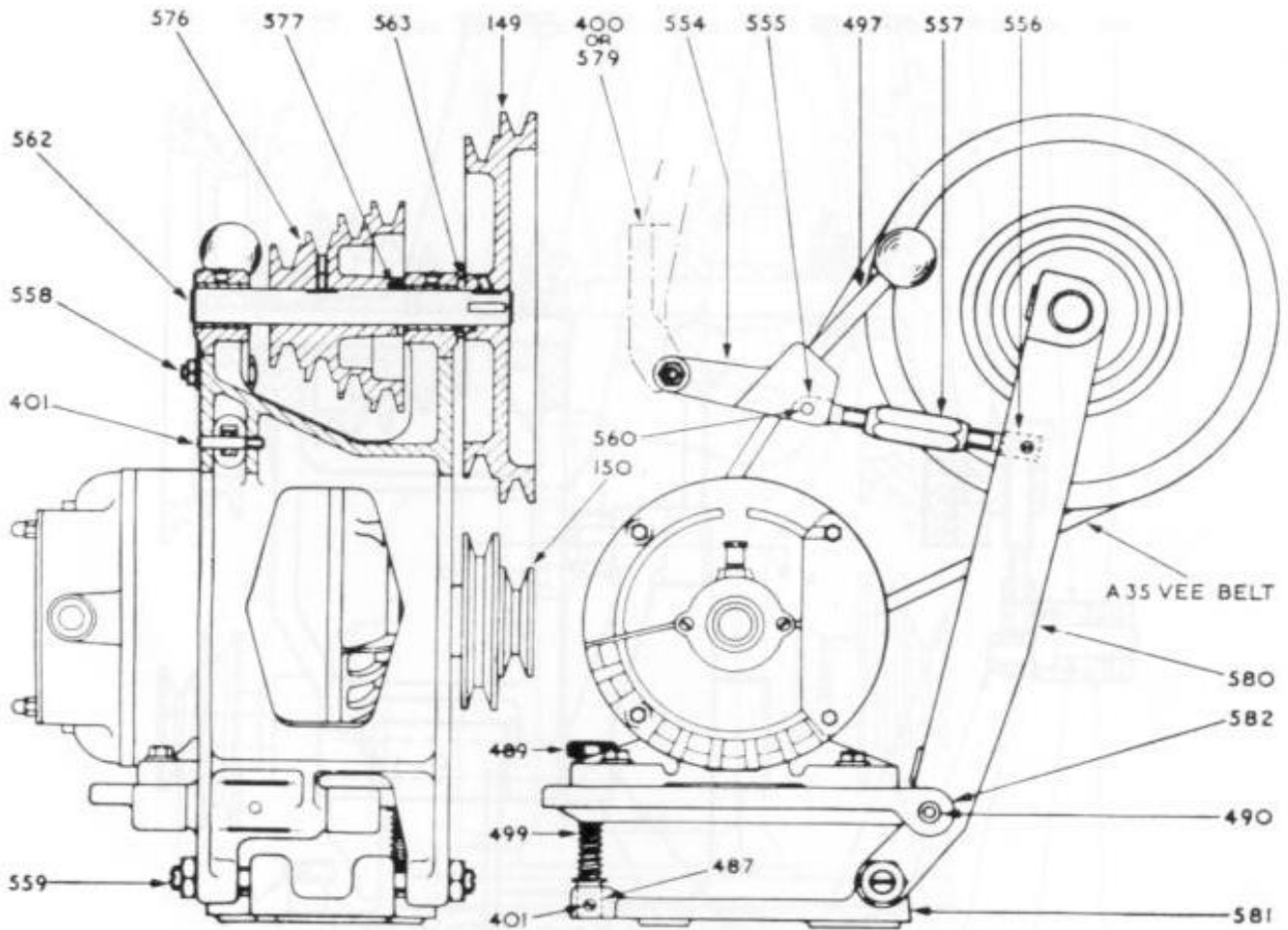
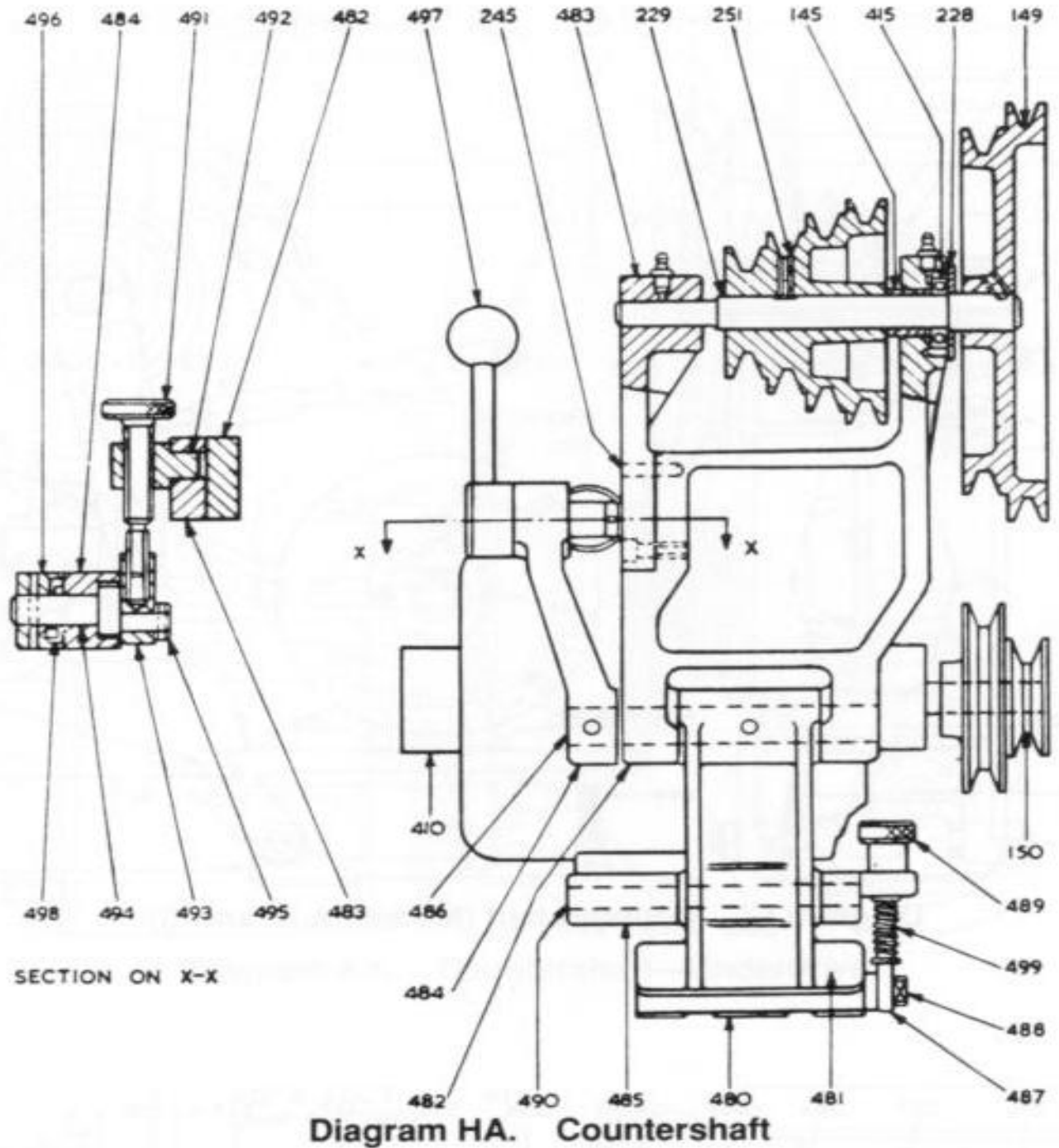


Diagram G. Countershaft (Models A, B and C)

Part No,s	Countershaft Bench Model From 1958 Models A,B & C	
3656-149	COUNTERSHAFT DRIVE PULLEY	£147.75
3656-400	TAILSTOCK STOP PIN	obsolete
3656-401	REVERSE GEAR BRACKET	£15.00
3656-487	EYE BOLT	obsolete
3656-489	MOTOR ADJUSTMENT NUT	obsolete
3656-490	MOTOR PIVOT PIN	obsolete
3656-497	HANDLE	obsolete
3656-499	COMPRESSION SPRING	obsolete
3656-554	TENSION BRACKET	obsolete
3656-555	R.H.EYE BOLT Use 6341-21	£7.08
3656-556	L.H.EYE BOLT	£7.08
3656-557	TENSION NUT	£13.14
3656-558	RETAINING SCREW OLD BENCH MODEL C/SHAFT	£11.04
3656-559	PIVOT SCREW OLD BENCH MODEL C/SHAFT	£7.08
3656-560	PIN OLD BENCH MODEL C/SHAFT	obsolete
3656-562	SPINDLE	£7.50
3656-563	THRUST WASHER OLD BENCH COUNTERSHAFTS	obsolete
3656-576	COUNTERSHAFT V-PULLEY	£57.18
3656-577	LOCATION PIN FOR 563	obsolete
3656-579	ANCHOR BRACKET	obsolete
3656-580	COUNTERSHAFT	obsolete
3656-581	COUNTERSHAFT BASE	obsolete
3656-582	MOTOR PLATFORM	obsolete
BL-A35	A35 Vee Belt	£6.21



Part No's	Countershaft From Oct 1953 to Sep 1957	
3656-145	SPACING WASHER	obsolete
3656-149	COUNTERSHAFT DRIVE PULLEY	£147.75
3656-150	MOTOR PULLEY	obsolete
3656-228	RETAINING WASHER	obsolete
3656-229	COUNTERSHAFT SPINDLE	£15.00
3656-245	DOWEL	obsolete
3656-251	COUNTERSHAFT PULLEY	obsolete
3656-415	BALL JOURNAL LS7	obsolete
3656-480	COUNTERSHAFT BASE	obsolete
3656-481	COUNTERSHAFT BRACKET	obsolete
3656-482	COUNTERSHAFT UPRIGHT	obsolete
3656-483	LOOSE BRACKET	obsolete
3656-484	BRACKET	obsolete
3656-485	MOTOR PLATFORM	obsolete



3656-486	COUNTERSHAFT PIVOT	obsolete
3656-487	EYE BOLT	obsolete
3656-488	EYE BOLT STUD	obsolete
3656-489	MOTOR ADJUSTMENT NUT	obsolete
3656-490	MOTOR PIVOT PIN	obsolete
3656-491	BELT ADJUSTMENT SCREW	obsolete
3656-492	NUT	obsolete
3656-493	SHIFTER	obsolete
3656-494	ECCENTRIC	obsolete
3656-495	COLLAR	obsolete
3656-496	HANDLE BUSH	obsolete
3656-497	HANDLE	obsolete
3656-498	STOP PIN	obsolete
3656-499	COMPRESSION SPRING	obsolete

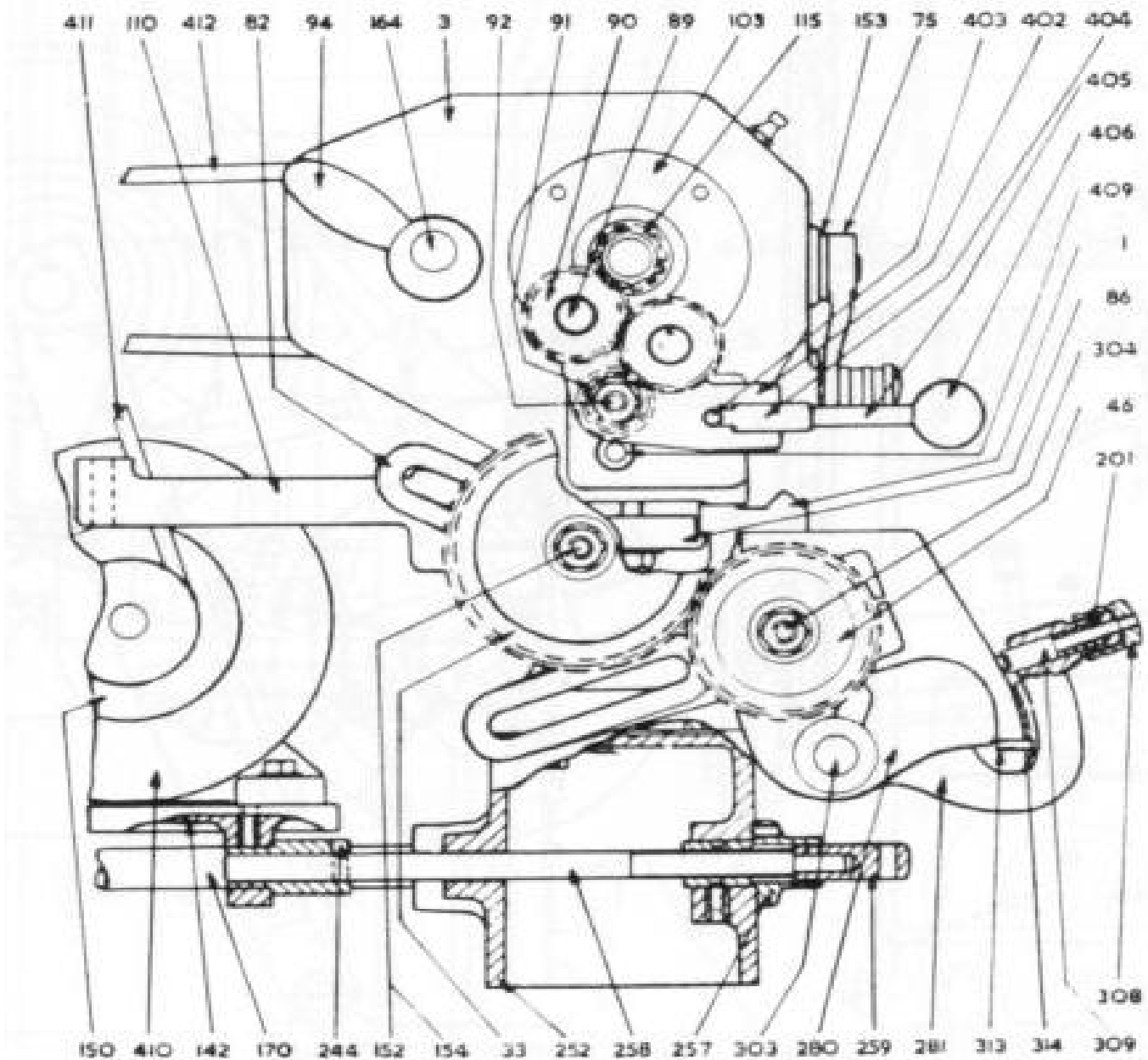


Diagram GA. Change Gears

Part No's	ChangeGears	
3656-1	BED 36", 42", 48"	obsolete



3656-3	HEADSTOCK (MK 1 & BENCH LATHES) 4.5"	obsolete
3656-33	IDLER GEAR 80T	£97.68
3656-46	CHANGE GEAR 56T	£45.39
3656-75	GEAR SHIFTER LEVER	£21.06
3656-82A	CHANGE GEAR QUADRANT	£46.14
3656-86	HEADSTOCK CLAMP	£6.57
3656-89	REVERSE GEAR STUD	£5.49
3656-90	REVERSE GEAR (STEEL-14.5%PA.)	£11.46
3656-91	REVERSE GEAR FOLLOWER (14.5%PA.)	£9.66
3656-92	STUD GEAR SPINDLE	£14.82
3656-94	BACK GEAR HANDLE	£26.88
3656-103B	REAR COVER PLATE NON SCREW TYPE ONLY	£16.92
3656-110	COVER BRACKET	£5.58
3656-115	ME10 MODEL MAIN SPINDLE	£105.18
3656-142	MOTOR PLATFORM	obsolete
3656-150	MOTOR PULLEY	obsolete
3656-152	BOLT	£16.26
3656-153	ECCENTRIC BUSH	£11.61
3656-154	CHANGE GEAR BUSH	£17.01
3656-164	BACK GEAR SHAFT	£6.03
3656-170	MOTOR BRACKET SUPPORT	obsolete
3656-201	GEAR SHIFTER SPRING	£2.91
3656-244	PIN (BELT TENSION SCREW)	obsolete
3656-252	HEADSTOCK FOOT	obsolete
3656-257	BELT TENSIONING BUSH	obsolete
3656-258	BELT TENSIONING SCREW	obsolete
3656-259	BELT TENSIONING SCREW HEAD	obsolete
3656-280E	GEAR BOX BODY (ENGLISH)	obsolete
3656-280M	GEAR BOX BODY (METRIC)	obsolete
3656-281	L.H. GEAR BOX LEVER	£90.00
3656-303	GEAR LEVER SHAFT	£25.83
3656-304	GEARBOX INPUT SHAFT	£19.23
3656-308	KNOB (GEAR BOX)	£4.95
3656-309	PLUNGER (GEAR BOX)	£4.14
3656-313	GUIDE PLATE (ENGLISH)	£5.76
3656-314	PIN (GUIDE PLATE)	£0.60
3656-402	REVERSE GEAR BRACKET	£31.53
3656-403	PLUNGER	£4.95
3656-404	FINGER	£7.38
3656-405	HANDLE	£30.00
3656-406	KNOB 1" DIA. X 3/8W	£3.99
3656-409A	RETAINING PIECE	£4.71
BL-A33	A33 BL-A33 A33 Vee Belt	obsolete
BL-A36	A36 BL-A36 A36 Vee Belt	£5.70

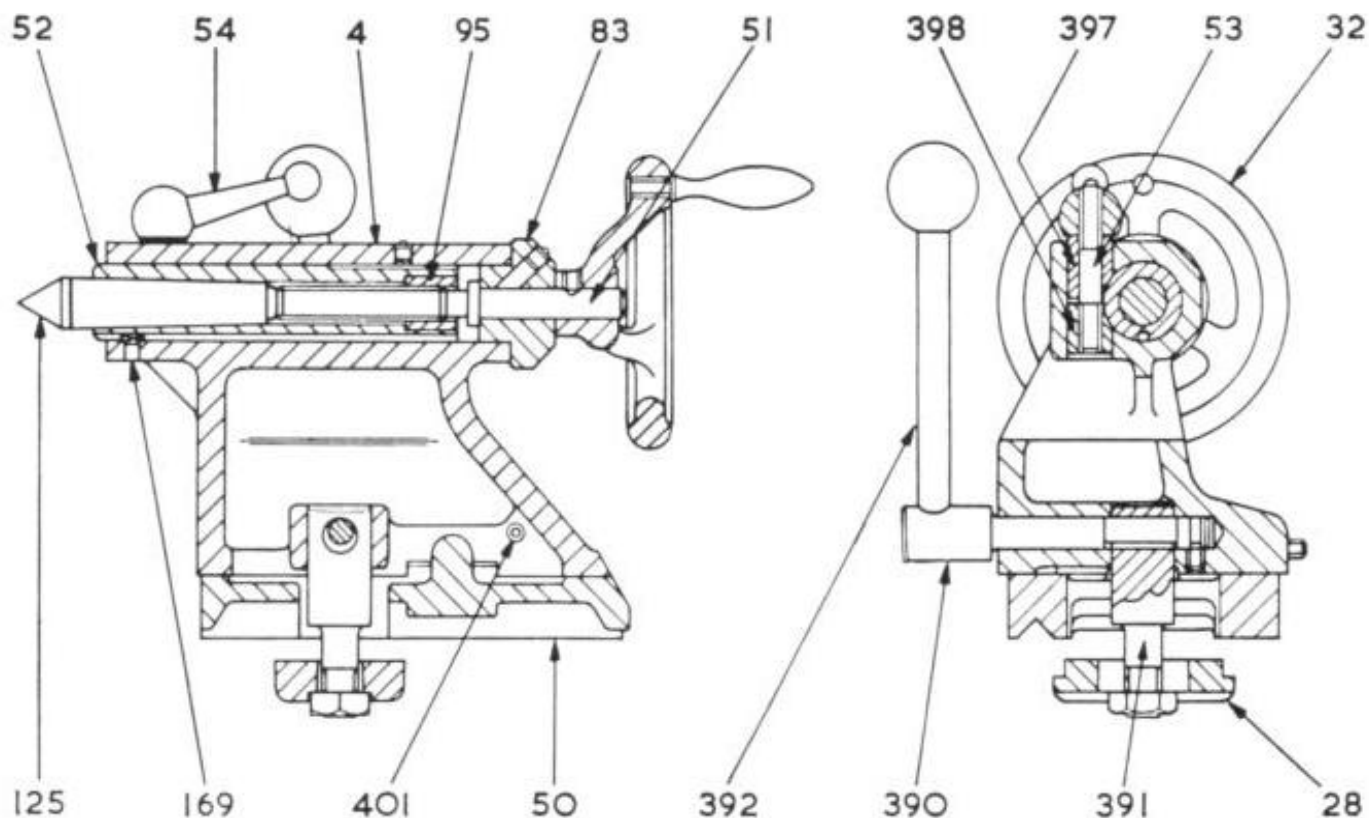


Diagram U. Tailstock

Part No's	Tailstock	
3656-4	TAILSTOCK Check with M.F. Not Available	obsolete
3656-28	TAILSTOCK CLAMP	£5.61
3656-32	TAILSTOCK HANDWHEEL (handle 3656-587A spindle 3656-853) Use 571B	£74.64
3656-50	TAILSTOCK BASE 4.5" SWING	obsolete
3656-50A	TAILSTOCK BASE 5.0" SWING 1.270" THICK	£27.36
3656-51	TAILSTOCK LEAD SCREW	£103.92
3656-52B	TAILSTOCK SPINDLE ENGLISH AND METRIC	£36.99
3656-52B-95	TAILSTOCK SPINDLE AND NUT ASSEMBLED	£177.45
3656-53	TAILSTOCK STUD	£4.56
3656-54	TAILSTOCK HANDLE	£34.20
3656-83	TAILSTOCK BUSH	£8.04
3656-95	TAILSTOCK NUT	£11.46
3656-125	TAILSTOCK CENTRE (HARD)	£25.86
3656-169	TAILSTOCK BUTTON KEY	£1.53
3656-390A	TAILSTOCK CLAMP ECCENTRIC	£48.39
3656-391	TAILSTOCK CLAMP PIN	£8.64
3656-392	TAILSTOCK CLAMP HANDLE	£3.18
3656-397	CLAMP (TAILSTOCK SPINDLE)	£3.75
3656-398	CLAMP (TAILSTOCK SPINDLE)	£15.45
3656-401	TAILSTOCK STOP PIN	£15.00